

Features

- Lightweight, low-cost valve for home use.
- Designed as gas pipe breakers for emergency use.
- Applicable in natural gas, liquid gas, manufactured gas.
- Ideal for low power and pressure.

Parameter

Closing mode	Capacitor discharge to close or manually close
Open mode	Manually open only
Keep mode	remaining open or closed without power
Closing time	less than 1 second
Shut off on strong Vibration	Automatically close under strong vibration
Applicable Media	Natural Gas, GLP and non-corrosive gases
Sealing material	NBR rubber
Valve body	Brass Alloy/ Aluminum Alloy
Connection	Female Thread
Working temperature	-10℃~50℃
Storage temperature	-30℃~60℃
Voltage	DC7V~24V
Explosion-proofing mark	Exmb T6
Casting sealed explosion-proofing	No static electricity caused sparks, will not enhance fire conditions.
Reliable operation	Operating parts have been tested 5000 times without failure
Reliable sealing	A precision process is used to guarantee the valve is securely sealed; NBR rubber to ensure long life cycle—typically 15 years

*AF01 series products have two body material brass and aluminum alloy.
*AF01 series products can use pulse driving or manually to close.

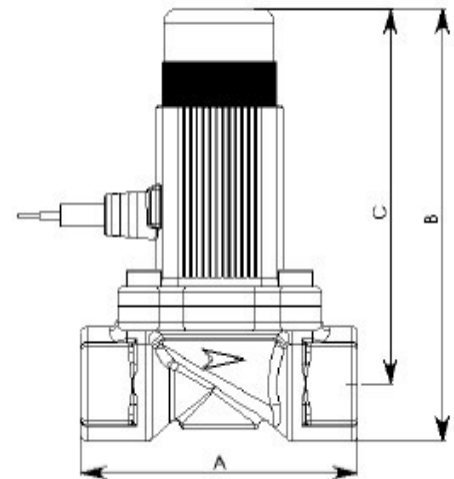
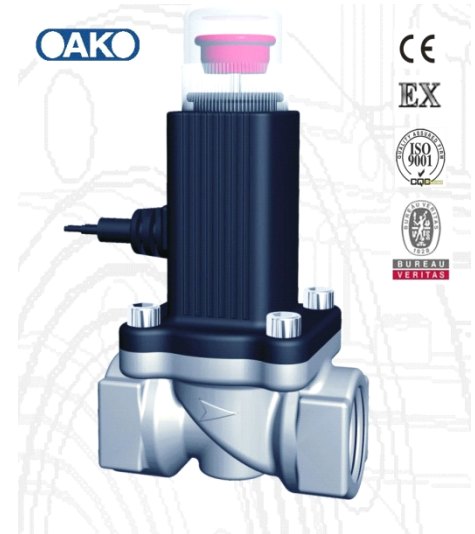
Dimensions

Style NO.	A	B	C	Seals	Body material
AF01B-DN15A	64	103	88	Membrane	Brass Alloy
AF01B-DN15A ₀	64	97	88	Axial	Brass Alloy
AF01B-DN15A/A	64	103	88	Membrane	Aluminum Alloy
AF01B-DN15A ₀ /A	64	97	88	Axial	Aluminum Alloy
AF01B-DN20A	68	108	89	Membrane	Brass Alloy
AF01B-DN20A ₀	68	102	89	Axial	Brass Alloy
AF01B-DN20A/A	75	108	89	Membrane	Aluminum Alloy
AF01B-DN20A ₀ /A	75	102	89	Axial	Aluminum Alloy
AF01B-DN25A/A	80	126	102	Axial	Aluminum Alloy

*Type explanation:AF01B—One series name; DN15—Caliber size ;A—Brass alloy and membrane ; A₀—Brass alloy and axial ; A/A—Aluminum alloy and membrane ; A₀/A— Aluminum alloy and axial .

Package

Style NO.	Weight/pcs	Gross Weight	Carton size(L/W/H)
AF01B-DN15A	0.3875kg	15.5kg	388*258*310 (40pcs in a carton)
AF01B-DN15A/A	0.2875kg	11.5kg	
AF01B-DN20A/A	0.436kg	17.45kg	460*270*340 (40pcs in a carton)
AF01B-DN20A/A	0.35kg	14kg	



Honor

- Reputation of 3 million users
- 30 technology patents
- Drafting unit of National Standard
- ISO9000:2008 CE&BV
- First choice of gas company
- Great contribution company of Zhangjiang High-Tech Park

Solenoid enclosures

- High-quality plastic solenoid enclosures
- Dust-proof, water proof, explosion-proof
- Degree of protection is generally