


Features:

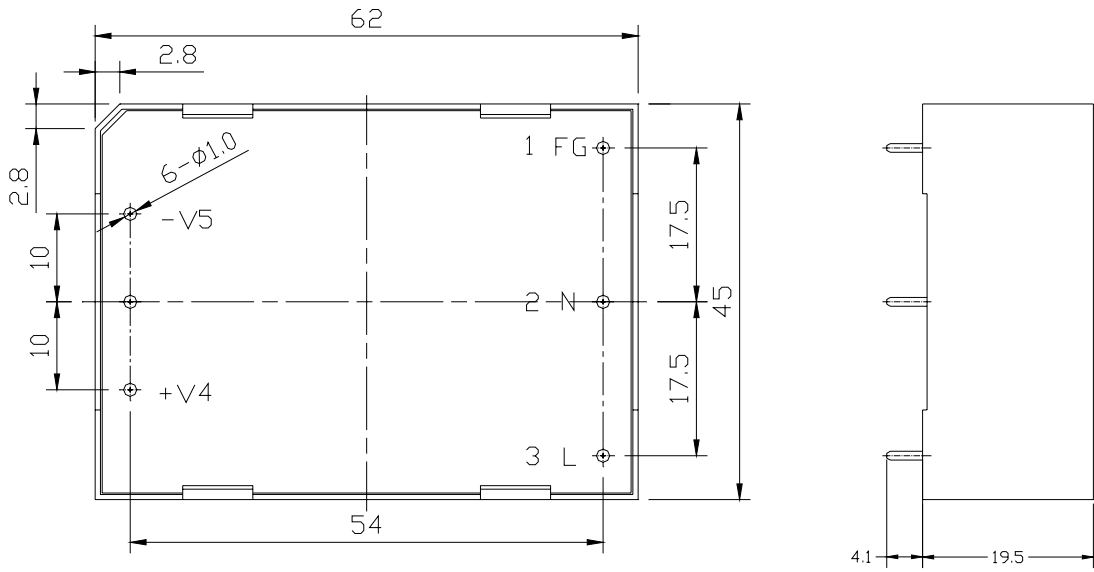
- AC input:90VAC~264VAC
- No Load power consumption < 0.3W
- High Efficiency, Low standby and High reliability
- Output protections:OCP/SCP/OVP/OPP
- Wide operating ambient temperature (-20°C~70°C)
- All using 105°C long life electrolytic capacitors.
- 100% full load burn-in test
- 3 years warranty

PECIFICATION

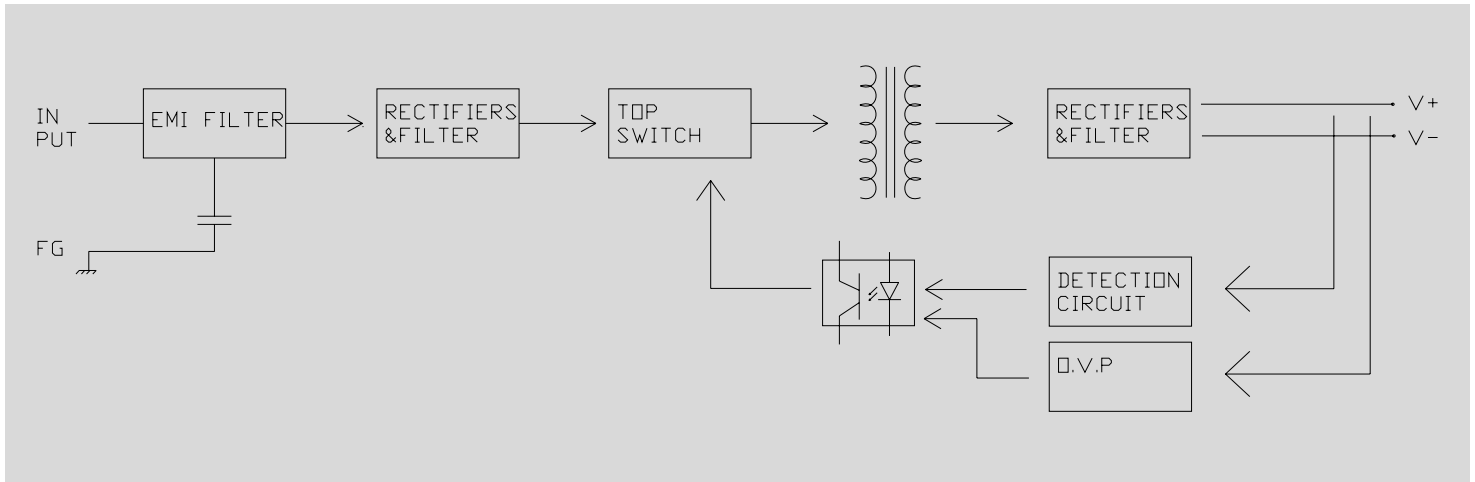
SERIES		PMA Series		PMB Series		
MODEL		PMA-U10S5	PMA-U10S12	PMB-U10S5	PMB-U10S12	
OUTPUT	Output Number	V1	V1	V1	V1	
	DC Output	5V	12V	5V	12V	
	Rated Current	2A	0.83A	2A	0.83A	
	Current Range	Note 1	0~2A	0~0.83A	0~2A	0~0.83A
	Ripple and Noise	Note 2	0~70°C ≤50mV	0~50°C ≤120mV	0~70°C ≤50mV	0~50°C ≤120mV
			-20~0°C ≤100mV	-20~0°C ≤120mV	-20~0°C ≤100mV	-20~0°C ≤120mV
	Voltage Accuracy	±2.0%	±3.0%	±2.0%	±3.0%	
	Line Regulation	±1.0%	±1.0%	±1.0%	±1.0%	
	Load Regulation	±2.0%	±2.0%	±2.0%	±2.0%	
	Set-up Time	≤2.0S (220VAC input, Full load)				
	Hold up Time	≥20mS (220VAC input, Full load)				
Temperature Coefficient	±0.03%/°C					
Overshoot and Undershoot	<5.0%					
INPUT	Voltage Range	90VAC~264VAC				
	Frequency Range	47Hz-63Hz				
	Efficiency (Typical)	76%@220VAC	78%@220VAC	76%@220VAC	78%@220VAC	
	AC Current (max.)	0.25A				
	Inrush Current (Typical)	50A@220VAC 30A@120VAC				
	Leakage Current	input—output: ≤0.25mA; input—PG: ≤3.5mA				
PROTECTION	Over Power	105%~150% of rated output power, auto recovery				
	Over Current	105%~150% of rated output current, auto recovery				
	Over Voltage	105%~150% Constant voltage				
	Shorted Circuit	Long-term mode, auto recovery				
ENVIRONMENT	Operating amb.Temp.& Hum.	-20°C~70°C; 20%-90%RH No condensing				
	Storage Temp. & Hum.	-30°C~85°C; 10%-95%RH No condensing				
SAFETY &EMC (Note 3)	Safety Standards	GB4943-2001; EN60950-1: 2006				
	Withstand Voltage	Primary-Secondary:3.0KVAC; ≤10mA.				
	Isolation Resistance	Primary-Secondary: ≥100M ohms				
	EMI Conduction&Radiation	Compliance to EN55022(CISPR22)ClassB				
	Harmonic Current	/				
OTHERS	EMS Immunity	Compliance to EN61000-4-2,3,4,5,6,8,11; ENV50204,light industry level3,criteriaA				
	MTBF (MIL-HDBK-217F)	More than 100,000Hrs (25°C, Full load)				
	Dimension (L*W*H)	62×45×19mm		54×41×16.5mm		
	Packing	100pcs/carton, 8.5Kgs, 0.036CBM				
NOTE	Cooling method	Cooling by free air convection				
		1. All parameters NOT specially mentioned are measured at rated input, rated load and 25°C of ambient temperature. 2. Measured at 20MHz of bandwidth by using a 12" twisted pair-wire terminated with a 0.1 uF & 47uF parallel capacitor. 3. The SPS is considered a component which will be installed into final equipment. The equipment must be re-confirmed that it still meets EMC directives.				

SERIES		PMC Series		PMD Series		
MODEL		PMC-U10S5	PMC-U10S12	PMD-U10S5	PMD-U10S12	
OUTPUT	Output Number	V1	V1	V1	V1	
	DC Output	5V	12V	5V	12V	
	Rated Current	2A	0.83A	2A	0.83A	
	Current Range	Note 1 0~2A	0~0.83A	0~2A	0~0.83A	
	Ripple and Noise	Note 2	0~70°C ≤ 50mV	0~50°C ≤ 120mV	0~70°C ≤ 50mV	0~50°C ≤ 120mV
			-20~0°C ≤ 100mV	-20~0°C ≤ 120mV	-20~0°C ≤ 100mV	-20~0°C ≤ 120mV
	Voltage Accuracy	±2.0%	±3.0%	±2.0%	±3.0%	
	Line Regulation	±1.0%	±1.0%	±1.0%	±1.0%	
	Load Regulation	±2.0%	±2.0%	±2.0%	±2.0%	
	Set-up Time	≤ 2.0S (220VAC input, Full load)				
	Hold up Time	≥ 20mS (220VAC input, Full load)				
	Temperature Coefficient	±0.03%/°C				
Overshoot and Undershoot	< 5.0%					
INPUT	Voltage Range	90VAC~264VAC				
	Frequency Range	47Hz~63Hz				
	Efficiency (Typical)	76%@220VAC	78%@220VAC	76%@220VAC	78%@220VAC	
	AC Current (max.)	0.25A				
	Inrush Current (Typical)	50A@220VAC 30A@120VAC				
	Leakage Current	input—output: ≤ 0.25mA; input—PG: ≤ 3.5mA				
PROTECTION	Over Power	105%~150% of rated output power, auto recovery				
	Over Current	105%~150% of rated output current, auto recovery				
	Over Voltage	105%~150% Constant voltage				
	Shorted Circuit	Long-term mode, auto recovery				
ENVIRONMENT	Operating amb.Temp.& Hum.	-20°C~70°C; 20%-90%RH No condensing				
	Storage Temp. & Hum.	-30°C~85°C; 10%-95%RH No condensing				
SAFETY & EMC (Note 3)	Safety Standards	GB4943-2001; EN60950-1: 2006				
	Withstand Voltage	Primary-Secondary:3.0KVAC; ≤ 10mA.				
	Isolation Resistance	Primary-Secondary: ≥ 100M ohms				
	EMI Conduction&Radiation	Compliance to EN55022(CISPR22)ClassB				
	Harmonic Current	/				
EMS Immunity	Compliance to EN61000-4-2,3,4,5,6,8,11; ENV50204, light industry level3, criteriaA					
OTHERS	MTBF (MIL-HDBK-217F)	More than 100,000Hrs (25°C, Full load)				
	Dimension (L*W*H)	66.8×62.7×28mm		89×45×21.1mm		
	Packing	100pcs/carton, 8.5Kgs, 0.036CBM				
	Cooling method	Cooling by free air convection				
NOTE	1.All parameters NOT specially mentioned are measured at rated input, rated load and 25°C of ambient temperature. 2.Measured at 20MHz of bandwidth by using a 12" twisted pair-wire terminated with a 0.1 uF & 47uF parallel capacitor. 3.The SPS is considered a component which will be installed into final equipment. The equipment must be re-confirmed that it still meets EMC directives.					

MECHANICAL DIMENSION:

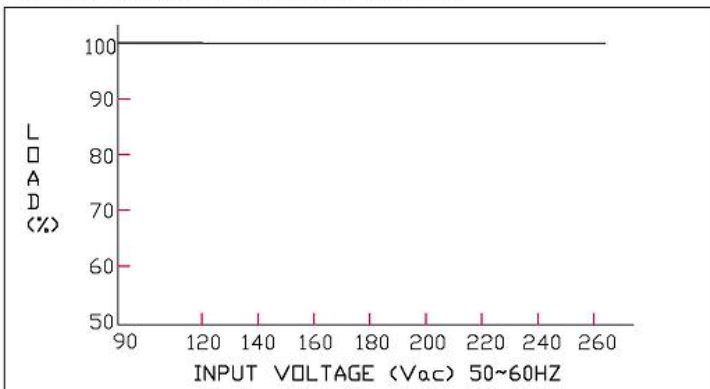


BLOCK DIAMRAM:

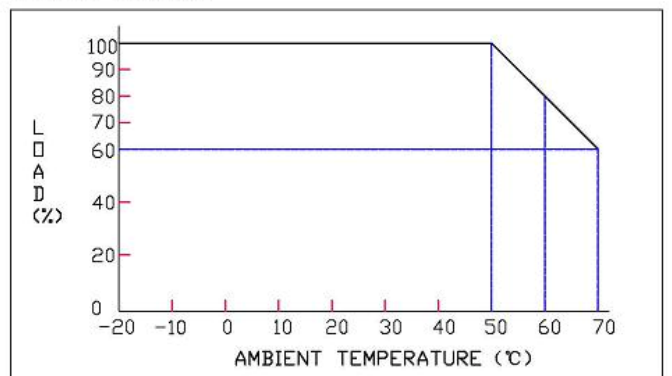


DERATING:

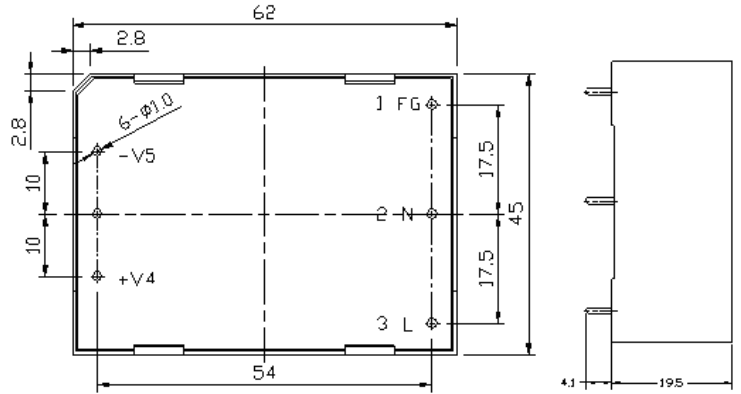
OUTPUT DERATING VS INPUT VOLTAGE



OUTPUT DERATING

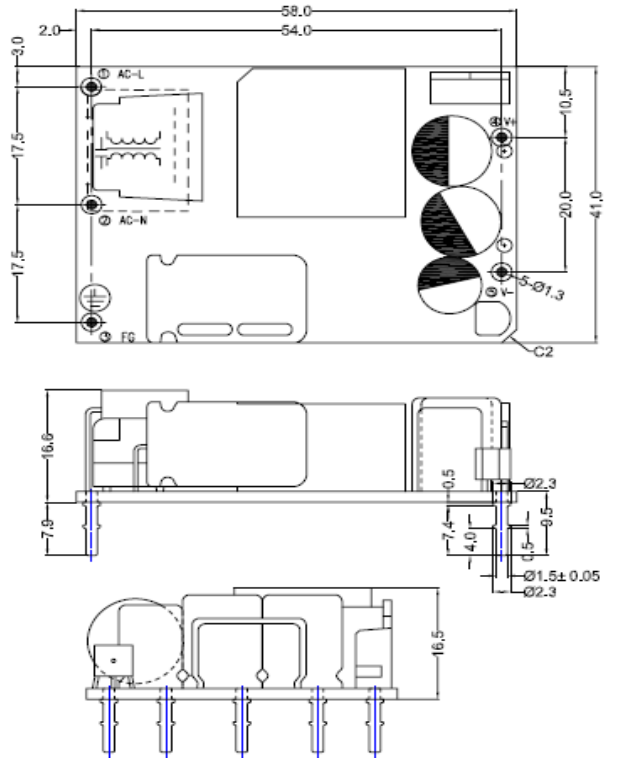


PMA Series



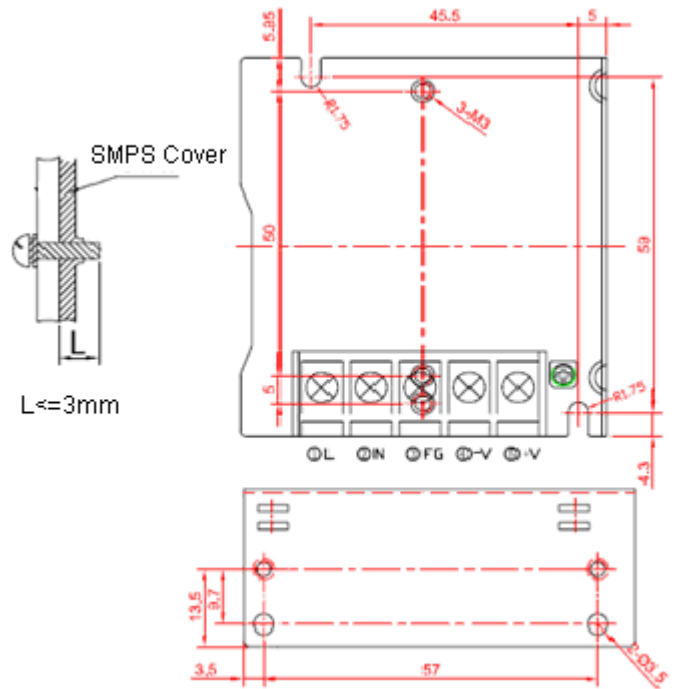
PIN#	Single
1	L
2	N
3	PG
4	+Vout
5	-Vout

PMB Series



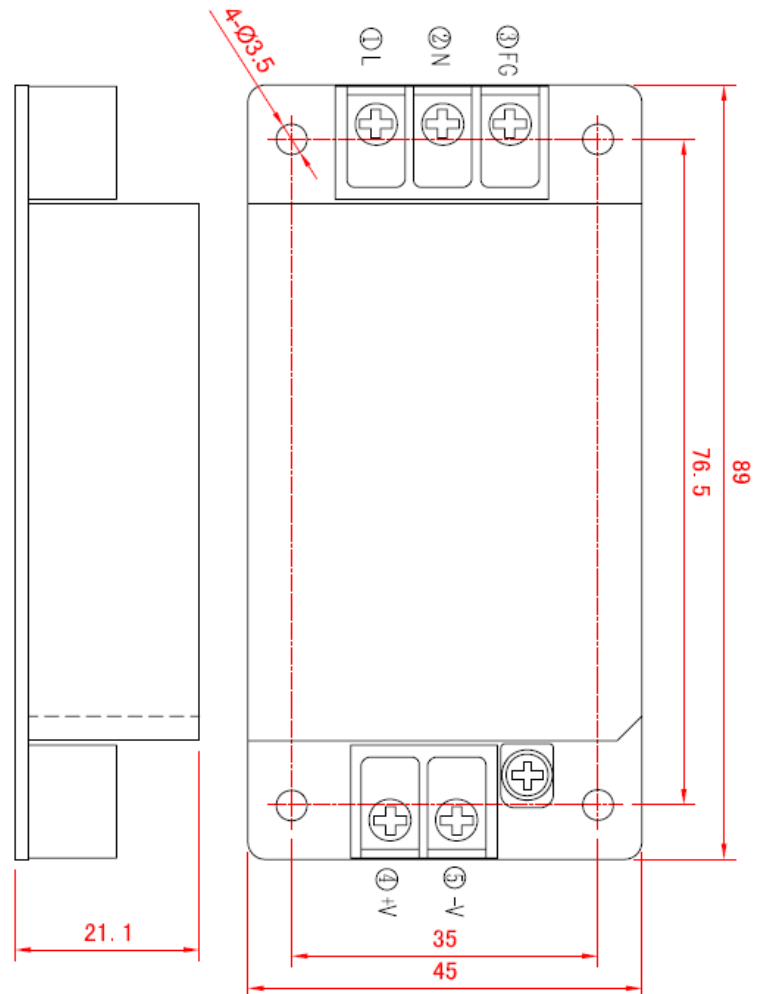
PIN#	Single
1	L
2	N
3	PG
4	+Vout
5	-Vout

PMC Series



PIN#	Single
1	L
2	N
3	PG
4	+Vout
5	-Vout

PMD Series



PIN#	Single
1	L
2	N
3	PG
4	+Vout
5	-Vout