



■ Features :

- Constant current mode power supply
- 180-264VAC input only
- Fully encapsulated with IP67 level (Note.6)
- Protections:Short circuit / Over voltage / Over temperature
- Cooling by free air convection
- Class II power unit, no FG
- Pass LPS
- 100% full load burn-in test
- Suitable for LED lighting and moving sign applications
- High reliability / Low cost
- 2 years warranty

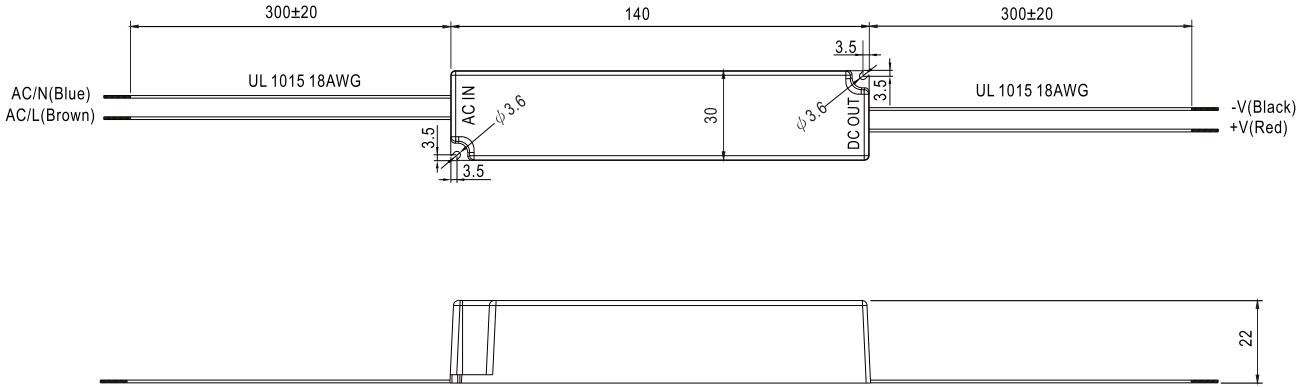
☐ LPS IP67 CE

**SPECIFICATION**

| MODEL                 |  | LPHC-18-350  | LPHC-18-700   |
|-----------------------|--|--|---------------|
| OUTPUT                | RATED CURRENT  | 350mA  | 700mA         |
|                       | DC VOLTAGE RANGE   | 6~48V  | 6~25V         |
|                       | RATED POWER  | 16.8W  | 17.5W         |
|                       | RIPPLE & NOISE (max.) Note.2   | 300mVp-p   | 250mVp-p      |
|                       | VOLTAGE TOLERANCE Note.3   | ±5.0%  |               |
|                       | CURRENT ACCURACY   | ±8.0%  |               |
|                       | LINE REGULATION  | ±1.0%  |               |
|                       | LOAD REGULATION  | ±3.0%  |               |
|                       | SETUP, RISE TIME   | 3600ms, 100ms / 230VAC   |               |
| HOLD UP TIME (Typ.)   | 20ms/230VAC at full load   |  |               |
| INPUT                 | VOLTAGE RANGE  | 180 ~ 264VAC    254 ~ 370VDC   |               |
|                       | FREQUENCY RANGE  | 47 ~ 63Hz  |               |
|                       | EFFICIENCY(Typ.)   | 80%  | 80%           |
|                       | AC CURRENT   | 0.3A/230VAC  |               |
|                       | INRUSH CURRENT(Typ.)   | COLD START 50A(twidth=190µs measured at 50% Ipeak) at 230VAC   |               |
| LEAKAGE CURRENT       | 0.25mA / 240VAC  |  |               |
| PROTECTION            | OVER VOLTAGE   | 50.4~ 60V<br>Protection type : Shut off o/p voltage, clamping by zener diode   | 28.75~ 33.75V |
|                       | OVER TEMPERATURE   | Tj 170°C typically (U1) Detect on main control IC<br>Protection type : Hiccup mode, recovers automatically after temperature goes down |               |
| ENVIRONMENT           | WORKING TEMP.  | -30~ +70°C (Refer to "Derating Curve")   |               |
|                       | WORKING HUMIDITY   | 20 ~ 90% RH non-condensing   |               |
|                       | STORAGE TEMP., HUMIDITY  | -40 ~ +80°C, 10 ~ 95% RH   |               |
|                       | TEMP. COEFFICIENT  | ±0.2%/°C (0 ~ 50°C)  |               |
| VIBRATION             | 10 ~ 500Hz, 2G 10min./1cycle, period for 60min. each along X, Y, Z axes  |  |               |
| SAFETY & EMC (Note 5) | SAFETY STANDARDS   | IP67 approved; design refer to UL1310 Class 2,TUV EN60950-1, CAN/CSA C22.2 No. 223-M91   |               |
|                       | WITHSTAND VOLTAGE  | I/P-O/P:3KVAC  |               |
|                       | ISOLATION RESISTANCE   | I/P-O/P:>100M Ohms / 500VDC / 25°C / 70% RH  |               |
|                       | EMC EMISSION   | Compliance to EN55022 (CISPR22) Class A, EN61000-3-2 Class A, EN61000-3-3  |               |
| EMC IMMUNITY          | Compliance to EN61000-4-2,3,4,5,6,8,11, EN55024, light industry level, criteria A  |  |               |
| OTHERS                | MTBF   | 1200.6K hrs min.    MIL-HDBK-217F (25°C)   |               |
|                       | DIMENSION  | 140*30*22(L*W*H)   |               |
|                       | PACKING  | 0.175Kg; 70pcs/13.3Kgs/0.71CUFT  |               |
| NOTE                  | <ol style="list-style-type: none"> <li>1. All parameters NOT specially mentioned are measured at 230VAC input, rated load and 25°C of ambient temperature.</li> <li>2. Ripple &amp; noise are measured at 20MHz of bandwidth by using a 12" twisted pair-wire terminated with a 0.1uf &amp; 47uf parallel capacitor.</li> <li>3. Tolerance : includes set up tolerance, line regulation and load regulation.</li> <li>4. Derating may be needed under low input voltage. Please check the static characteristic for more details.</li> <li>5. The power supply is considered as a component that will be operated in combination with final equipment. Since EMC performance will be affected by the complete installation, the final equipment manufacturers must re-qualify EMC Directive on the complete installation again.</li> <li>6. Suitable for indoor use or outdoor use without direct sunlight exposure.</li> <li>7. The unit might not be suitable for lighting applications in EU countries. Please check with your local authorities for the possible use of the unit.</li> </ol> |  |               |

**Mechanical Specification**

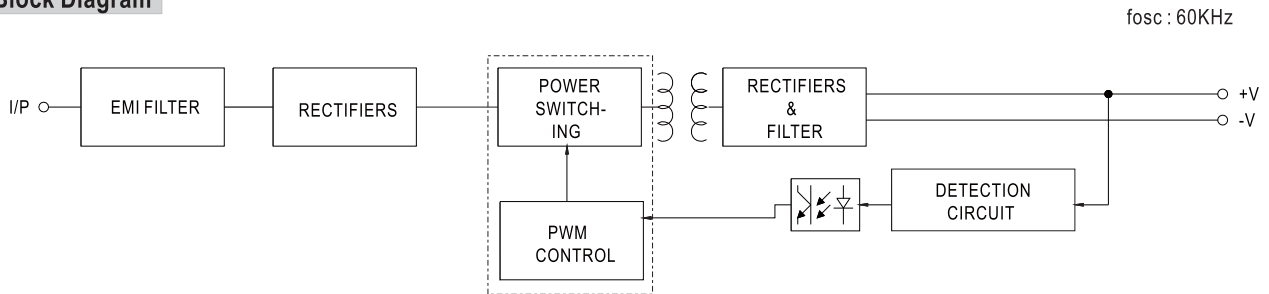
Unit:mm



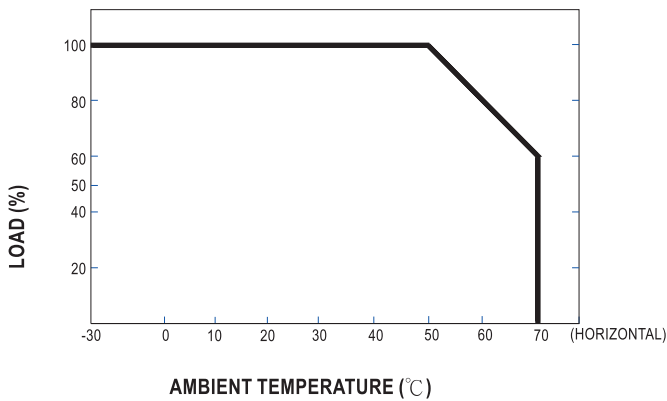
**Recommend Mounting Direction**



**Block Diagram**



**Derating Curve**



**Static Characteristics**

