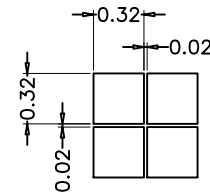
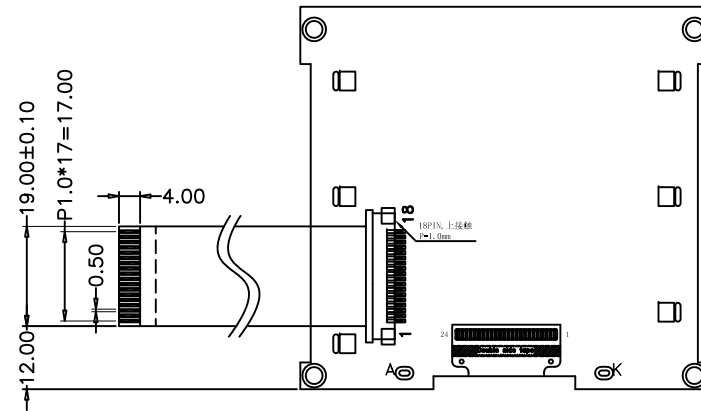
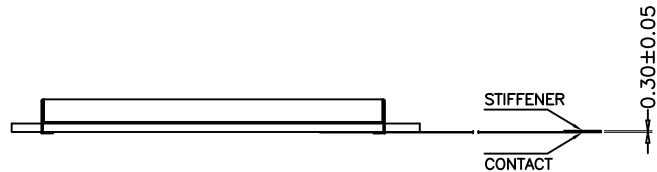
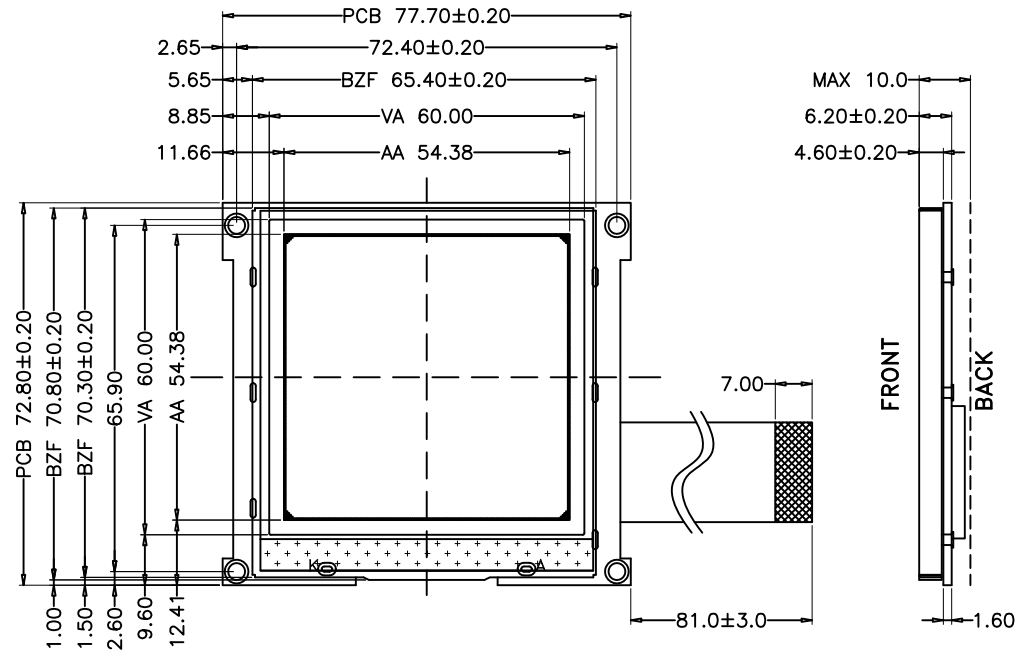


Revised Record

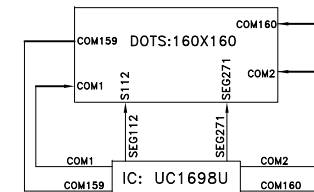
1.0

New issue

2013-01-14



SCALE:30:1



COM & SEG LAYOUT

PIN	SYMBOL
1	VSS
2	A0
3	WR
4	RD
5	XCS
6	RST
7	VDD(3.3V)
8	D0
9	D1
10	D2
11	D3
12	D4
13	D5
14	D6
15	D7
16	K
17	NC
18	A(3.3V)

NOTES:

- 01. DISPLAY TYPE: FSTN/POSITIVE/BLACK-WHITE/TRANSFLECTIVE RoHS
- 02. OPERATING VOLTAGE: VOP=16.5V,VDD=3.3V
- 03. OPERATING TEMPERATURE: -20°C~+70°C
- 04. STORAGE TEMPERATURE: -30°C~+80°C
- 05. DRIVE MODE: 1/160DUTY,1/10BIAS
- 06. VIEWING DIRECTION: 6:00
- 07. DRIVE IC: UC1698U
- 08. CONNECTOR: FPC+COG
- 09. BACKLIGHT: 1*5PCS_WHITE_LEDS;IF<100MA&VF=3.1±0.2V.
- 10. CUSTOMER'S PART ID:

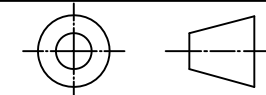
BLAZE Blaze Display Technology Co.,Ltd.

DESIGNED BY: BDT-22

BGG160160-03-SERIES

VERSION: 1.0

CHECKED BY: BDT-07



PAGE 1 OF 1

APPROVED BY: BDT-02

UNIT: mm

Website: <http://www.blazedisplay.com>

DATE: 2013-01-14