

Цилиндрические соединители

Серия ON15-228



Цилиндрические круглые соединители серии **15-228** широко используются в соединениях линии между электрическим оборудованием, различными инструментами и измерительными приборами. Эти разъемы соответствуют стандарту MIL-C-5015, существуют особенности: легкий вес, материал из алюминиевого сплава, широкий ассортимент, резьбовое соединение, хорошая производительность уплотнения, сопротивление коррозии высокой проводимости и высокой диэлектрической прочности. Это идеальный продукт для замены серии MIL-C-5015 из Amphenol.

Материал и обработка поверхности:

Корпус: алюминиевый сплав, темно-зеленый металлизированный

Изолятор: PPS

Корпус контакта: медный сплав, посеребрённый

Технические характеристики:

Рабочая температура -55... +125° C

Сопротивление изоляции 5000 Ом/мин

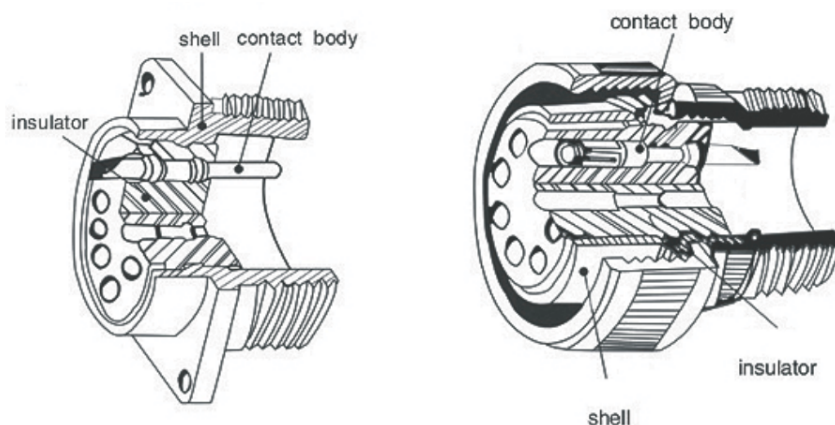
Выдерживаемое напряжение 2000 В

Рабочее напряжение 500В/ 700В

Износостойкость >500 циклов

Номинальный ток:

| Contact size | Rated current(A) | Jointing of diameter(mm) | Wire size A.W.G | Max. | Average | Min. |
|--------------|------------------|--------------------------|-----------------|------|---------|------|
| | | | | kg | | |
| 16 # | 13 | φ 2.0 | 22 # ~16 # | 1.36 | 0.95 | 0.11 |
| 12 # | 23 | φ 3.0 | 14 # ~12 # | 2.26 | 1.58 | 0.22 |
| 8 # | 46 | φ 5.2 | 10 # ~8 # | 4.53 | 3.17 | 0.34 |
| 4 # | 80 | φ 8.5 | 6 # ~4 # | 6.8 | 4.76 | 0.45 |
| 0 # | 150 | φ 12.0 | 2 # ~0 # | 9.97 | 6.35 | 0.9 |



Система обозначений:

ON15-228-MS 3106A-20-27-JW

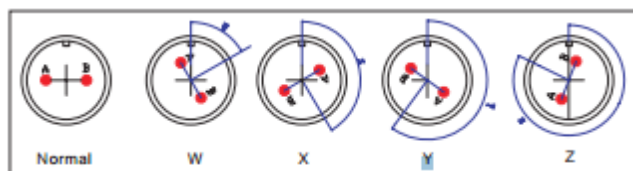
1 2 3 4 5 6 7

ON — производитель Onelec

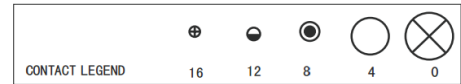
1. Стандартный разъем: MS;
2. Код разъема: 3106, 3108, 3100, 3101, 3102;



3. Категория: А — целостная трубка;
В — раздвоенная трубка;
4. Диаметр розетки: 8, 10, 12, 14, 16, 18, 20, 22, 24, 28, 32, 36, 40, 44, 48;
5. Группа отверстий кодового номера: 27;
6. Тип контактов: J — вилка, К - розетка;
7. Основные позиции: W, X, Y, Z.



Расположение вставки, от направления вставки штифта



| | | | | | | |
|--------------------|-------|--------|--------|-------|-------|------|
| | | | | | | |
| Insert arrangement | 10S-2 | 10SL-3 | 10SL-4 | 12S-3 | 12S-4 | 12-5 |
| Service rating | A | A | A | A | D | D |
| Number of contacts | 1 | 3 | 2 | 2 | 1 | 1 |
| Contact size | 16 | 16 | 16 | 16 | 16 | 12 |

| | | | | | | |
|--------------------|-------|-------|-------|-------|-------|-------|
| | | | | | | |
| Insert arrangement | 14S-2 | 14S-5 | 14S-6 | 14S-7 | 14S-9 | 14S-3 |
| Service rating | | | | A | A | A |
| Number of contacts | 4 | 5 | 6 | 3 | 2 | 1 |
| Contact size | 16 | 16 | 16 | 16 | 16 | 8 |

| | | | | | | |
|--------------------|-------|-------|-------|-------|-------|-------|
| | | | | | | |
| Insert arrangement | 16S-1 | 16S-3 | 16S-4 | 16S-5 | 16S-6 | 16S-8 |
| Service rating | A | B | D | A | A | A |
| Number of contacts | 7 | 1 | 2 | 3 | 3 | 5 |
| Contact size | 16 | 16 | 16 | 16 | 16 | 16 |

| | | | | | | |
|--------------------|------|------|-------|-------|-------|-------|
| | | | | | | |
| Insert arrangement | 16-2 | 16-7 | 16-9 | 16-10 | 16-11 | 16-12 |
| Service rating | E | A | A | A | A | A |
| Number of contacts | 1 | 2 1 | 2 2 | 3 | 2 | 1 |
| Contact size | 12 | 16 8 | 16 12 | 12 | 12 | 4 |

| | | | | | | |
|--------------------|-------|--|--|--|--|--|
| | | | | | | |
| Insert arrangement | 16-13 | | | | | |
| Service rating | A | | | | | |
| Number of contacts | 2 | | | | | |
| Contact size | 12 | | | | | |

| | | | | | | |
|--------------------|------|------|------|-------|------|------|
| | | | | | | |
| Insert arrangement | 18-1 | 18-3 | 18-4 | 18-5 | 18-6 | 18-7 |
| Service rating | | D | D | D | D | B |
| Number of contacts | 10 | 2 | 4 | 1 2 | 1 | 1 |
| Contact size | 16 | 12 | 16 | 16 12 | 4 | 8 |

| | | | | | | |
|--------------------|-------|-------|-------|-------|-------|-------|
| | | | | | | |
| Insert arrangement | 18-8 | 18-9 | 18-10 | 18-11 | 18-12 | 18-13 |
| Service rating | A | | D | A | A | A |
| Number of contacts | 7 1 | 5 2 | 4 | 5 | 6 | 3 1 |
| Contact size | 16 12 | 16 12 | 12 | 12 | 16 | 12 8 |

| | | | | | | |
|--------------------|-------|-------|-------|-------|--|--|
| | | | | | | |
| Insert arrangement | 18-14 | 18-15 | 18-16 | 18-22 | | |
| Service rating | A | A | C | D | | |
| Number of contacts | 1 1 | 4 | 1 | 3 | | |
| Contact size | 4 16 | 12 | 12 | 16 | | |

| | | | | | | |
|--------------------|------|------|------|------|------|-------|
| | | | | | | |
| Insert arrangement | 20-2 | 20-3 | 20-4 | 20-7 | 20-8 | 20-9 |
| Service rating | D | D | D | | | |
| Number of contacts | 1 | 3 | 4 | 8 | 4 2 | 7 1 |
| Contact size | 0 | 12 | 12 | 16 | 16 8 | 16 12 |

| | | | | | | |
|--------------------|-------|-------|-------|-------|-------|-------|
| | | | | | | |
| Insert arrangement | 20-14 | 20-15 | 20-16 | 20-17 | 20-18 | 20-19 |
| Service rating | A | A | A | A | A | A |
| Number of contacts | 3 2 | 7 | 7 2 | 1 5 | 6 3 | 3 |
| Contact size | 12 8 | 12 | 16 12 | 16 12 | 16 12 | 8 |

| | | | | | | |
|--------------------|-------|-------|-------|-------|-------|-------|
| | | | | | | |
| Insert arrangement | 20-20 | 20-21 | 20-22 | 20-23 | 20-24 | 20-27 |
| Service rating | A | A | A | A | A | A |
| Number of contacts | 3 1 | 8 1 | 3 3 | 2 | 2 2 | 14 |
| Contact size | 12 4 | 16 12 | 16 8 | 8 | 16 8 | 16 |

| | | | | | | |
|--------------------|-------|-------|--|--|--|--|
| | | | | | | |
| Insert arrangement | 20-29 | 20-33 | | | | |
| Service rating | A | A | | | | |
| Number of contacts | 17 | 11 | | | | |
| Contact size | 16 | 16 | | | | |

| | | | | | | |
|--------------------|------|------|-------|------|------|------|
| | | | | | | |
| Insert arrangement | 22-2 | 22-4 | 22-5 | 22-6 | 22-7 | 22-9 |
| Service rating | D | A | D | D | E | E |
| Number of contacts | 3 | 4 | 4 2 | 1 2 | 1 | 3 |
| Contact size | 8 | 16 | 16 12 | 16 8 | 0 | 12 |

| | | | | | | |
|--------------------|-------|-------|-------|-------|-------|-------|
| | | | | | | |
| Insert arrangement | 22-10 | 22-11 | 22-12 | 22-13 | 22-14 | 22-15 |
| Service rating | E | B | D | A | A | A |
| Number of contacts | 4 | 2 | 3 2 | 1 4 | 19 | 1 5 |
| Contact size | 16 | 16 | 16 8 | 16 12 | 16 | 16 12 |

| | | | | | | |
|--------------------|-------|-------|-------|-------|-------|-------|
| | | | | | | |
| Insert arrangement | 22-17 | 22-18 | 22-19 | 22-20 | 22-21 | 22-22 |
| Service rating | A | A | A | A | A | A |
| Number of contacts | 8 1 | 8 | 14 | 9 | 2 1 | 4 |
| Contact size | 16 12 | 16 | 16 | 16 | 16 10 | 8 |

| | | | | | | |
|--------------------|-------|-------|-------|-------|--|--|
| | | | | | | |
| Insert arrangement | 22-23 | 22-27 | 22-28 | 22-36 | | |
| Service rating | | | D | | | |
| Number of contacts | 8 | 8 1 | 7 | 8 | | |
| Contact size | 12 | 16 8 | 12 | 12 | | |

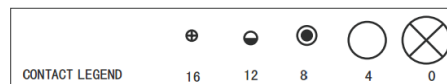
| | | | | | | |
|--------------------|------|------|------|------|-------|-------|
| | | | | | | |
| Insert arrangement | 24-2 | 24-4 | 24-5 | 24-6 | 24-7 | 24-10 |
| Service rating | D | D | A | A | A | A |
| Number of contacts | 7 | 3 1 | 16 | 8 | 14 2 | 7 |
| Contact size | 12 | 16 0 | 16 | 12 | 16 12 | 8 |

| | | | | | | |
|--------------------|-------|-------|---------|-------|-------|-------|
| | | | | | | |
| Insert arrangement | 24-11 | 24-12 | 24-16 | 24-20 | 24-21 | 24-22 |
| Service rating | A | A | A | D | D | D |
| Number of contacts | 6 3 | 3 2 | 3 3 1 | 9 2 | 9 1 | 4 |
| Contact size | 12 8 | 12 4 | 16 12 8 | 16 12 | 16 8 | 8 |

| | | | | | | |
|--------------------|-------|-------|-------|--|--|--|
| | | | | | | |
| Insert arrangement | 24-27 | 24-28 | 24-80 | | | |
| Service rating | E | | | | | |
| Number of contacts | 7 | 24 | 23 | | | |
| Contact size | 16 | 16 | 16 | | | |

| | | | | | | |
|--------------------|------|-------|------|-------|---------|------|
| | | | | | | |
| Insert arrangement | 28-1 | 28-2 | 28-3 | 28-4 | 28-5 | 28-7 |
| Service rating | A | D | E | D | D | A |
| Number of contacts | 6 3 | 12 2 | 3 | 7 2 | 2 1 2 | 2 |
| Contact size | 12 8 | 16 12 | 8 | 16 12 | 16 12 4 | 4 |

Расположение вставки, от направления вставки штифта

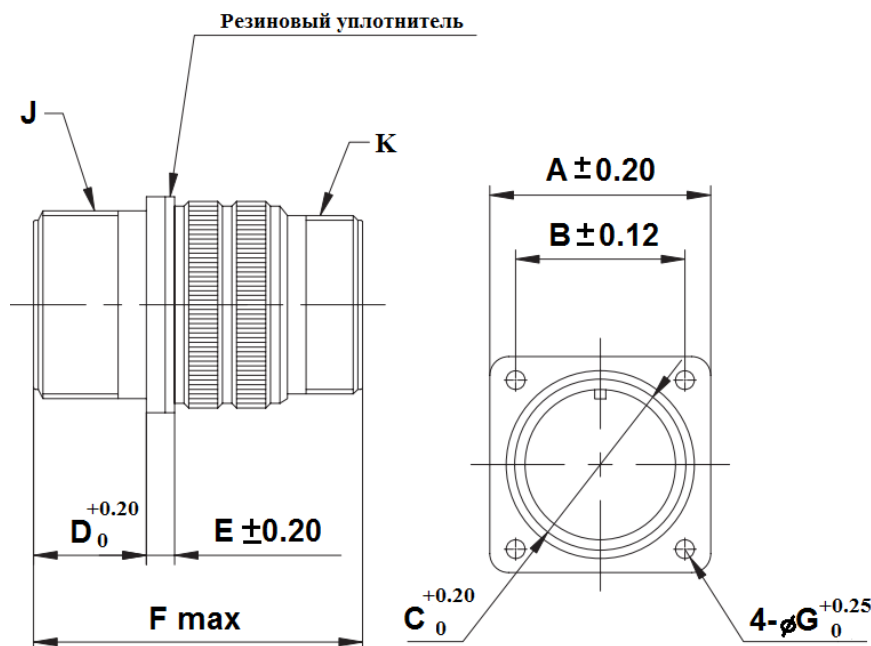


| | | | | | | |
|--------------------|-------|-------|--------|-------|-------|-------|
| | | | | | | |
| Insert arrangement | 28-8 | 28-9 | 28-10 | 28-11 | 28-12 | 28-15 |
| Service rating | A | D | A | A | A | A |
| Number of contacts | 10 2 | 6 6 | 3 2 2 | 18 4 | 26 | 35 |
| Contact size | 16 12 | 16 12 | 12 8 4 | 16 12 | 16 | 16 |

| | | | | | | |
|--------------------|-------|-------|-------|-------|-------|-------|
| | | | | | | |
| Insert arrangement | 28-16 | 28-17 | 28-18 | 28-19 | 28-20 | 28-21 |
| Service rating | A | A | D | A | A | A |
| Number of contacts | 20 | 15 | 12 | 6 4 | 4 10 | 37 |
| Contact size | 16 | 16 | 16 | 16 12 | 16 12 | 16 |

| | | | | | | |
|--------------------|-------|--|--|--|--|--|
| | | | | | | |
| Insert arrangement | 28-22 | | | | | |
| Service rating | D | | | | | |
| Number of contacts | 3 3 | | | | | |
| Contact size | 16 4 | | | | | |

MS3100



| 壳体号 Shell size | A | B | ϕC | D | E | F | ϕG | J | K |
|-------------------|-------|-------|----------|-------|------|-------|----------|-----------------|------------------|
| 10S | 25.40 | 18.26 | 11.6 | 14.3 | 3.00 | 38.88 | 3.05 | 5/8-24 UNEF-2A | 1/2-28 UNEF-2A |
| 10SL | 25.40 | 18.26 | 11.6 | 14.3 | 3.00 | 38.88 | 3.05 | 5/8-24 UNEF-2A | 5/8-24 UNEF-2A |
| 12S | 27.79 | 20.62 | 14.4 | 14.3 | 3.00 | 42.87 | 3.05 | 3/4-20 UNEF-2A | 5/8-24 UNEF-2A |
| 12 | 27.79 | 20.62 | 14.4 | 19.05 | 3.00 | 52.37 | 3.05 | 3/4-20 UNEF-2A | 5/8-24 UNEF-2A |
| 14S | 30.18 | 23.01 | 17.45 | 14.3 | 3.00 | 42.87 | 3.05 | 7/8-20 UNEF-2A | 3/4-20 UNEF-2A |
| 14 | 30.18 | 23.01 | 17.45 | 19.05 | 3.00 | 52.37 | 3.05 | 7/8-20 UNEF-2A | 3/4-20 UNEF-2A |
| 16S | 32.54 | 24.61 | 20.75 | 14.3 | 3.00 | 42.87 | 3.05 | 1-20 UNEF-2A | 7/8-20 UNEF-2A |
| 16 | 32.54 | 24.61 | 20.75 | 19.05 | 3.00 | 52.37 | 3.05 | 1-20 UNEF-2A | 7/8-20 UNEF-2A |
| 18 | 34.93 | 26.97 | 23.9 | 19.05 | 4.00 | 52.37 | 3.05 | 11/8-18 UNEF-2A | 1-20 UNEF-2A |
| 20 | 38.10 | 29.36 | 26.95 | 19.05 | 4.00 | 55.57 | 3.05 | 11/4-18 UNEF-2A | 13/16-18 UNEF-2A |
| 22 | 41.28 | 31.75 | 30.15 | 19.05 | 4.00 | 55.57 | 3.05 | 13/8-18 UNEF-2A | 13/16-18 UNEF-2A |
| 24 | 44.45 | 34.93 | 33.3 | 20.63 | 4.00 | 58.72 | 3.73 | 11/2-18 UNEF-2A | 17/16-18 UNEF-2A |
| 28 | 50.80 | 39.67 | 38.9 | 2.63 | 4.00 | 58.72 | 3.73 | 13/4-18 UNEF-2A | 17/16-18 UNEF-2A |