



DESCRIPTION: 20W Wide Input Voltage DC/DC Converters

The rated output power of TP20DD converters is 20W, the outline dimensions is "50.8*40.6*11.2", 2:1 and 4:1 wide input voltage range, the voltage range is 9V-18V, 18V-36V, 36V-72V, 9V-36V and 18V-72VDC. The accuracy of the converter can reach $\pm 1\%$, it can be widely used in telecommunications, railway transportation, instrument and etc.

FEATURES

20W output power	2:1 and 4:1 input voltage range	Input under voltage protection
50.8mm *40.6mm *11.2mm standard package	Metal shielding package	Operating temperature:-25℃ to 55℃
Fixed switching frequency	Long term short-circuit protection	Super capability with capacitive load
RoHs compliance	/	/

SELECTION GUIDE

Part Number	Input Voltage voltage (VDC)		Output		Efficiency(Typ) %
	Rated	Range values	Voltage (VDC)	Current (A)	
TP20DD12S03	12(2:1)	9-18	3.3	5.4	80
TP20DD12S05	12(2:1)	9-18	5	4	82
TP20DD12S12	12(2:1)	9-18	12	1.67	83
TP20DD12S15	12(2:1)	9-18	15	1.33	84
TP20DD12S24	12(2:1)	9-18	24	0.83	84
TP20DD12D05	12(2:1)	9-18	± 5	± 2	80
TP20DD12D12	12(2:1)	9-18	± 12	± 0.83	83
TP20DD12D15	12(2:1)	9-18	± 15	± 0.67	84
TP20DD24S03	24(2:1)	18-36	3.3	5.4	80
TP20DD24S05	24(2:1)	18-36	5	4	83
TP20DD24S12	24(2:1)	18-36	12	1.67	85
TP20DD24S15	24(2:1)	18-36	15	1.33	85
TP20DD24S24	24(2:1)	18-36	24	0.83	86
TP20DD24D05	24(2:1)	18-36	± 5	± 2	83
TP20DD24D12	24(2:1)	18-36	± 12	± 0.83	85
TP20DD24D15	24(2:1)	18-36	± 15	± 0.67	86
TP20DD48S03	48(2:1)	36-72	3.3	5.4	82
TP20DD48S05	48(2:1)	36-72	5	4	84
TP20DD48S12	48(2:1)	36-72	12	1.67	86
TP20DD48S15	48(2:1)	36-72	15	1.33	87
TP20DD48S24	48(2:1)	36-72	24	0.83	87
TP20DD48D05	48(2:1)	36-72	± 5	± 2	84
TP20DD48D12	48(2:1)	36-72	± 12	± 0.83	86
TP20DD48D15	48(2:1)	36-72	± 15	± 0.67	86
TP20DD24S05W	24(4:1)	9-36	5	4	82
TP20DD24S12W	24(4:1)	9-36	12	1.67	86
TP20DD24S15W	24(4:1)	9-36	15	1.33	86
TP20DD24S24W	24(4:1)	9-36	24	0.83	86
TP20DD24D05W	24(4:1)	9-36	± 5	± 2	82
TP20DD24D12W	24(4:1)	9-36	± 12	± 0.83	85
TP20DD24D15W	24(4:1)	9-36	± 15	± 0.67	85
TP20DD48S05W	48(4:1)	18-72	5	4	82
TP20DD48S12W	48(4:1)	18-72	12	1.67	86
TP20DD48S15W	48(4:1)	18-72	15	1.33	86
TP20DD48S24W	48(4:1)	18-72	24	0.83	86
TP20DD48D05W	48(4:1)	18-72	± 5	± 2	82
TP20DD48D12W	48(4:1)	18-72	± 12	± 0.83	85
TP20DD48D15W	48(4:1)	18-72	± 15	± 0.67	85

All specifications typical at TA=25°C, nominal input voltage and rated output current unless otherwise specified.

GENERAL CHARACTERISTICS					
parameter	Test conditions	Min	Typ	Max	Units
Isolation voltage	Input to output		500	1500	VDC
Insulation resistance	Input to output	100M			Ohm
Seismic	10~55Hz		5		G
MTBF	MIL-HDBK-217F2		5*10 ⁵		hrs
Over-current protection mode	All input range	Burp, Automatic recovery			
Cooling	Free air convection				
Case material	Metal case				

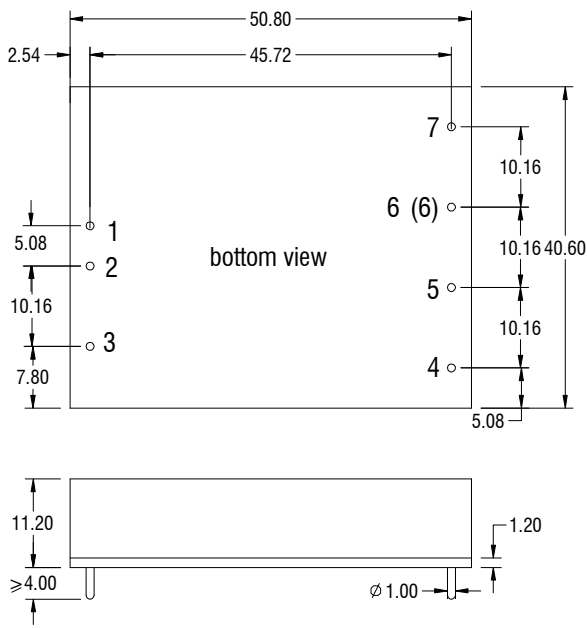
INPUT CHARACTERISTICS					
parameter	Test conditions	Min	Typ	Max	Units
Startup voltage	The12V input module(9V-18V)	9.2	9.5	9.8	VDC
Startup voltage	The24V input module(18V-36V)			18	VDC
Startup voltage	The48Vinput module(36V-72V)			36	VDC
Startup voltage	The24V input module(9V-36V)	8.8	9	9.3	VDC
Startup voltage	The48Vinput module(18V-72V)			18	VDC
Input under voltage protection	The12V input module(9V-18V)			8.5	VDC
Input under voltage protection	The24V input module(18V-36V)			17	VDC
Input under voltage protection	The48Vinput module(36V-72vV)			35	VDC
Startup time	Output rise time from 5% to 100%	20			ms
Remote control CTL	Remote CTL-Vin			Turn off	
Remote control CTL	Remote CTL NC(The control level 12V-40V)			Turn on	

OUTPUT CHARACTERISTICS					
parameter	Test conditions	Min	Typ	Max	Units
Voltage accuracy	Io=0.1...1.0 x Ionom vi=vi rated			±1	%
Line regulation	Vimin≤Vi≤Vimax			±0.2	%
Load regulation	Io=0.1...1.0 x Ionom Vimin≤Vi≤Vimax			±0.5	%
Auxiliary voltage accuracy	Main Load and auxiliary load differ 25%,the auxiliary circuit of the load with at least 25%, the main circuit with full load			±3	%
Ripple and noise	20MHz bandwidth			±1	%
Over current protection	Vimin≤Vi≤Vimax	120			%
output voltage change range	Vimin≤Vi≤Vimax			10	%
Transient recovery time	25% load changes			±5	%
Transient overshoot time	25% load changes			400	us
Switch frequency	Vimin≤Vi≤Vimax		300		KHz

ENVIRONMENT CHARACTERISTICS					
parameter	Test conditions	Min	Typ	Max	Units
Environment temperature	industrial-class	-25		+55	°C
Maximum case temperature	industrial-class			+85	°C
Storage temperature	Industry-class/ Military J1&J3 class	-40		+105	°C
Relative humidity	No condensation	5		90	RH(%)
Temperature coefficient			±0.02		%/°C

- Module in every environment temperature rating, case temperature under shall not exceed the maximum case temperature level.

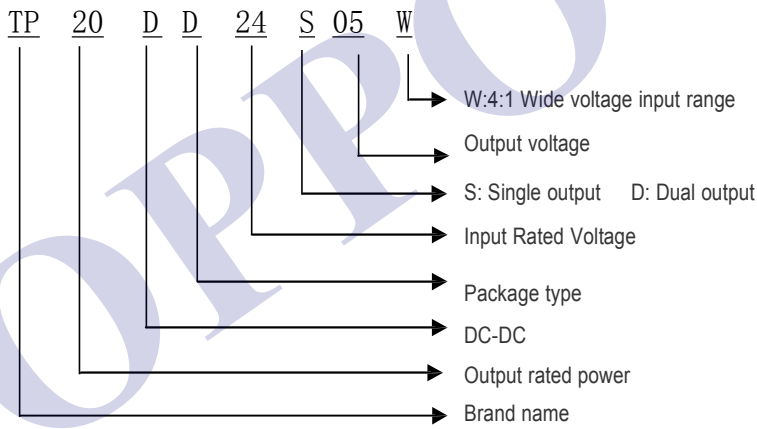
MECHANICAL DIMENSIONS



PIN CONNECTION		
Pin	Single output	Dual output
1	+Vin	+Vin
2	-Vin	-Vin
3	CTL	CTL
4	TRM	TRM
5	-Vout	-Vout
6	+Vout	/
(6)	/	COM
7	/	+Vout

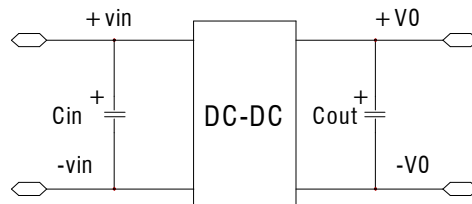
Units: mm
Tolerance: ±0.2mm

MODEL SELECTION



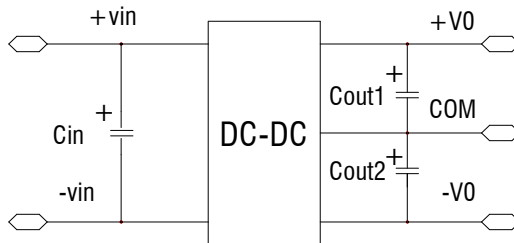
RECOMMEND CIRCUIT

Single Output:



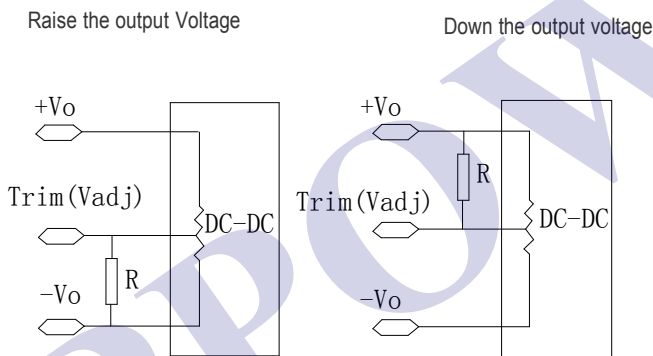
RECOMMEND CIRCUIT

Dual Output :



- Add input capacitance C_{in} is helpful to improve the electromagnetic compatibility, recommend C_{in} use 47 uF-100uF of the electrolytic capacitors.
- If the module connect to the digital circuits, please add the C_{out} , C_{out1} , C_{out2} .
- If C_{out} , C_{out1} , C_{out2} value is too high or lower ESR, it will cause the module instable,
- The recommended value of C_{out} , C_{out1} , C_{out2} should be 100 uF/A, the current here means the output current.

Trim application & Trim Resistance



- In dual and triple output modules, this application can just used in the main load(auxiliary load change together with the main load)

USING ATTENTIONS

- Module will cause irreversible damage when in the state of the input reverse polarity.
- Module will cause irreversible damage when in the long-term overload conditions.
- Module will cause irreversible damage when out of the maximum input voltage range.

TEMPERATURE RISEDING OR