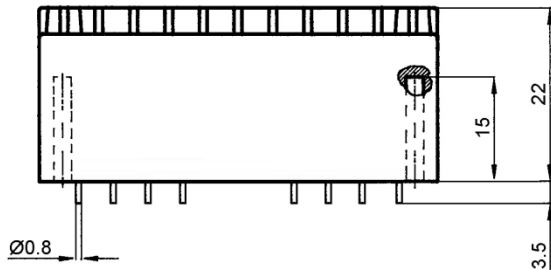
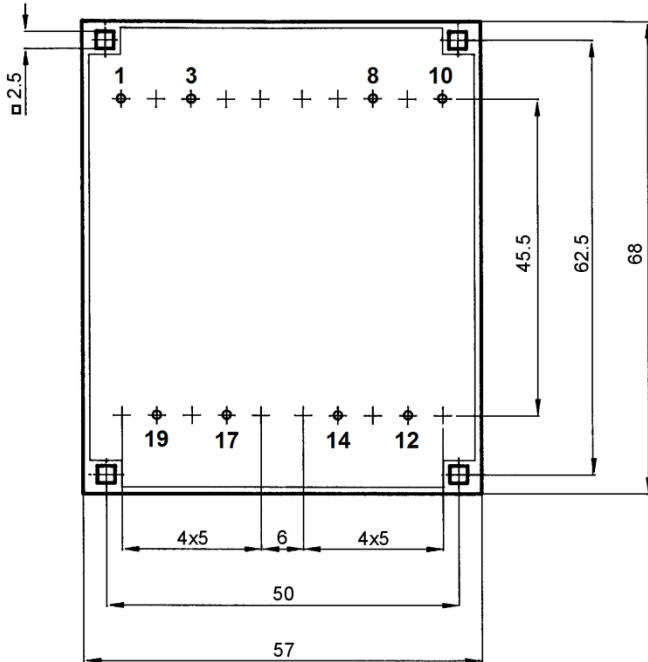
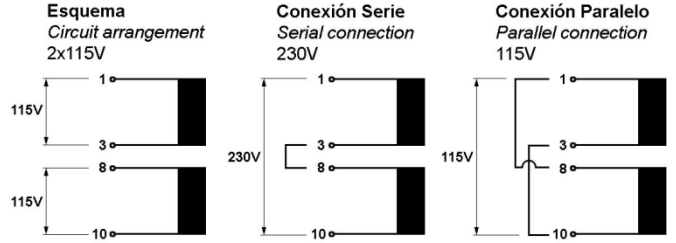


General tolerance: $\pm 0.5\text{mm}$

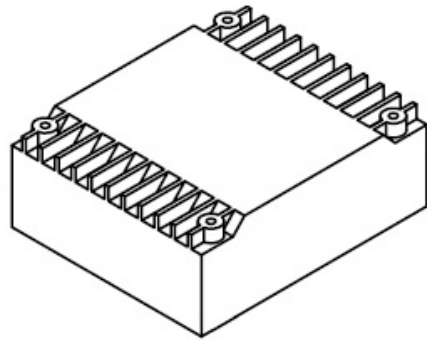
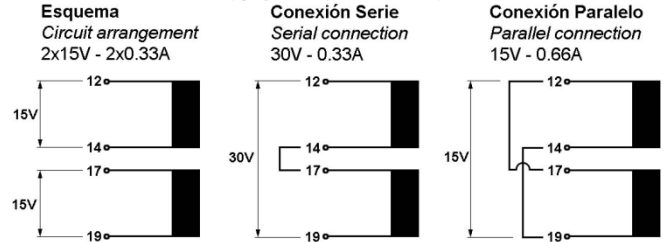


* All sizes in mm.

Conexión Primario / Primary Connections
(Ejemplo / Example)



Conexión Secundario / Secondary Connections
(Ejemplo / Example: U3908.10.2.15)



MAIN FEATURES:

- Unitary insulation test at **5KV**
- According **EN61558** European Standard (CE)
- All used materials are minimum **Class B** (130°C)
- Protection index: **IP00**
- Weight: **290gr**
- **Other voltages or pin-out under request**

PART Nº	RATED POWER	PRIMARY	SECONDARY	TEMP	Recommended FUSE
U3908.10.2.06	10VA	2x115V	2x6V / 2x0.83A	50°C/B	Sec. 2x1A/F
U3908.10.2.07	10VA	2x115V	2x7.5V/2x0.66A	50°C/B	Sec. 2x800mA/F
U3908.10.2.09	10VA	2x115V	2x9V / 2x0.55A	50°C/B	Sec. 2x630mA/F
U3908.10.2.12	10VA	2x115V	2x12V / 2x0.41A	50°C/B	Sec. 2x500mA/F
U3908.10.2.15	10VA	2x115V	2x15V / 2x0.33A	50°C/B	Sec. 2x400mA/F
U3908.10.2.18*	10VA	2x115V	2x18V / 2x0.27A	50°C/B	Sec. 2x315mA/F
U3908.10.2.24*	10VA	2x115V	2x24V / 2x0.20A	50°C/B	Sec. 2x200mA/F

DATA SHEET

UI39/8

"Low Profile" encapsulated transformer



Code:

U3908.10.2.XX

Date:

Dec 2011

www.JESIVA.com