



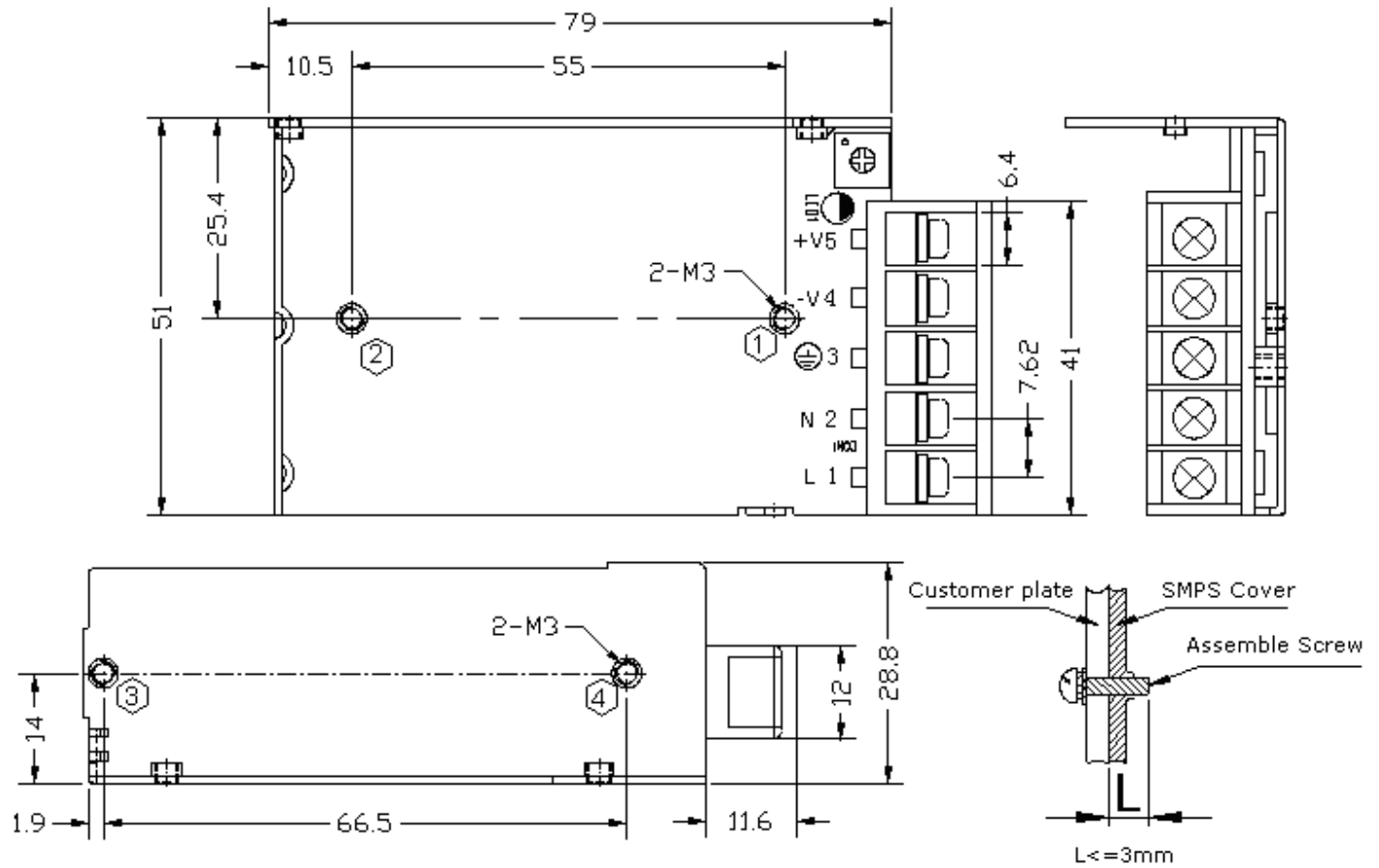
■ **Features:**

- No Load power consumption<0.5W
- Universal AC input range
- Miniature size,high power density,high efficiency,long life and high reliability
- Withstand 300VA surge input for 5 sec.
- Output protections: OLP/OVP/SCP
- **Wide operating ambient temp (-25℃~70℃), 100% @50℃、60%@70℃**
- All using 105℃ long life electrolytic capacitors.
- 100% full load burn-in test
- **PCB soldering side with conformal coating**
- Suitable for critical applications
- 3 years warranty

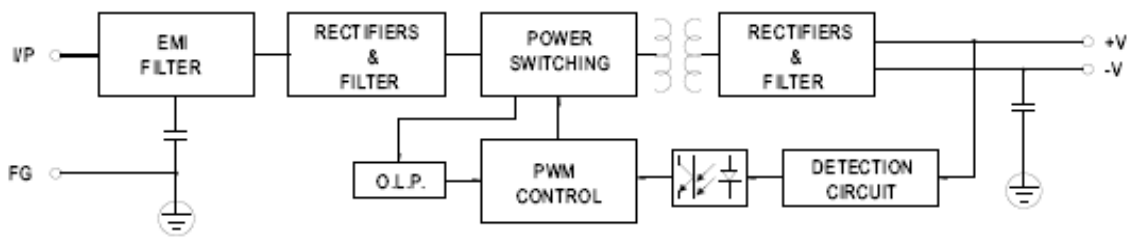
SPECIFICATION

MODEL		PD-25-S3.3	PD-25-S5	PD-25-S12	PD-25-S15	PD-25-S24	
OUTPUT	DC Output	3.3V	5V	12V	15V	24V	
	Rated Current	5A	5A	2.1A	1.6 A	1.1A	
	Current Range	0-5A	0-5A	0~2.1A	0~1.6A	0~1.1A	
	Ripple and Noise Note 2	-25~70℃ <50mV	<50mV	<120mV	<120mV	<120mV	
	Voltage ADJ. Range	3.0~3.6V	4.4~5.5V	10.0~13.0V	13.8~16.1V	20.7~26.7V	
	Voltage Accuracy	±2.0%	±2.0%	±1.0%	±1.0%	±1.0%	
	Line Regulation	±0.5%	±0.5%	±0.5%	±0.5%	±0.5%	
	Load Regulation	±2.0%	±2.0%	±1.0%	±1.0%	±1.0%	
	Set-up Time	<2.0S (115Vac input, Full load); <1.0S (230Vac input, Full load)					
	Hold up Time	>14mS(115Vac input, Full load); >30mS(230Vac input, Full load)					
	Temperature Coefficient	±0.03%/℃					
	Overshoot and Undershoot	<5.0%					
INPUT	Voltage Range	90Vac~264Vac, 127~370Vdc					
	Frequency Range	47Hz~63Hz					
	Efficiency (Typical)	115Vac input	70%	76%	80%	82%	84%
		230Vac input	71%	78%	82%	83%	85%
	AC Current (max.)	0.7A	0.7A	0.7A	0.7A	0.7A	
	Inrush Current (Typical)	<20A@115Vac <40A@230Vac Cold start					
PROTECTION	Over Load	105%-150% of rated output current, hiccup mode,auto recovery					
	Over Voltage	105%-150% of rated output voltage, Constant Voltage					
	Short Circuit	Long-term mode, auto recovery					
ENVIRONMENT	Operating amb. Temp. & Hum.	-25℃~70℃; 20%-90%RH No condensing (refer to the derating curve)					
	Storage Temp. & Hum.	-40℃~85℃; 10%-95%RH No condensing					
SAFETY & EMC Note 3	Safety Standards	UL60950-1; EN60950-1: 2006					
	Withstand Voltage	Primary-Secondary:3.0KVac; ≤10mA .Primary-PG:1.5KVac; ≤10mA. Secondary-PG:0.5KVDC;≤10mA.					
	Isolation Resistance	≥100M ohms					
	EMI Conduction&Radiation	Compliance to EN55022(CISPR22) ClassB					
	Harmonic Current	Compliance to EN61000-3-2,-3					
OTHERS	EMS Immunity	Compliance to EN61000-4-2,3,4,5,6,8,11;ENV50204,light industry level,criteriaA					
	MTBF (MIL-HDBK-217F)	More than 200,000Hrs (25℃, Full load)					
	Dimension (L*W*H)	79×51×28.8mm					
	Packing	48PCS/CTN, 10.4KGS, 0.03CBM					
NOTE	Cooling method	Cooling by free air convection					
		1. All parameters NOT specially mentioned are measured at 230Vac input, rated load and 25℃ of ambient temperature. 2. Measured at 20MHz of bandwidth by using a 12" twisted pair-wire terminated with a 0.1 uF & 47uF parallel capacitor. 3. The SPS is considered a component which will be installed into final equipment. The equipment must be re-confirmed that it still meets EMC directives. 4. Powerld offer accessories for Din-35 rail bar. Please contact sales staff for details.					

■ Mechanical Specification Unit:mm



■ Block Diagram



■ Derating Curve

