


**Features:**

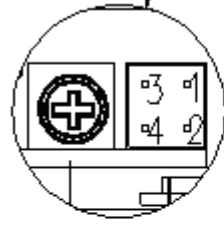
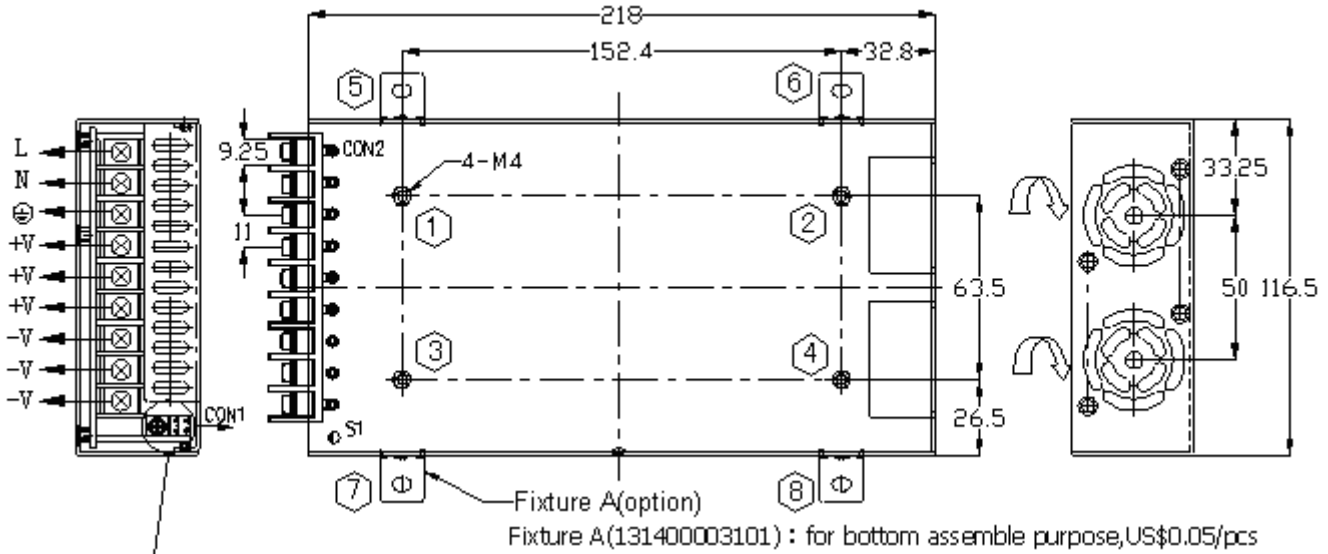
- Universal AC input/ Full range
- Built-in active PFC function,PF>0.96
- Using ZVS technology to reduce power dissipation
- Built in Fan speed control and over temp.protection
- Built in AC inrush current limiting circuit(<20A)
- Build in constant current limiting circuit
- Built in Remote Sense Function
- Build in DC OK signal
- Wide operating ambient temperature (-20℃~70℃)
- 1 U low profile,42.5mm
- 3 years warranty

**SPECIFICATION**

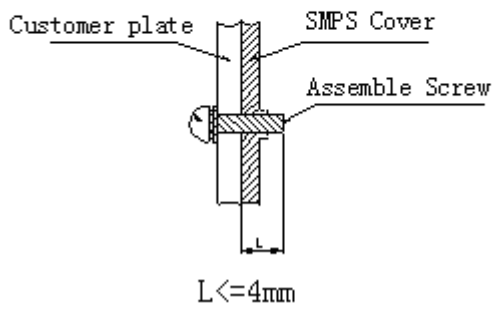
MODEL		PDF-600-12	PDF-600-24	PDF-600-36	PDF-600-48	
OUTPUT	DC Output	12V	24V	36V	48V	
	Rated Current	50A	25A	17.5A	12.25A	
	Current Range	0-50A	0-25A	0-17.5A	0-12.25A	
	Ripple and Noise	0-70℃	<120mV	<150mV	<150mV	<200mV
		Note 2 -30℃	<180mV	<150mV	<150mV	<200mV
	Voltage ADJ. Range	±10% of rated output voltage				
	Voltage Accuracy	±2.0%	±2.0%	±2.0%	±2.0%	
	Line Regulation	±0.5%	±0.5%	±0.5%	±0.2%	
	Load Regulation	±1.0%	±1.0%	±1.0%	±1.0%	
	Set-up Time	<1.5S (230Vac input, Full load), <3S (115Vac input, Full load)				
	Hold up Time	>16mS/ (230Vac input, Full load)				
	Temperature Coefficient	±0.05%/℃				
Overshoot and Undershoot	<5.0%					
INPUT	Voltage Range	90Vac-264Vac,127Vdc-370Vdc				
	Frequency Range	47Hz-63Hz				
	Power Factor(Typical)	PF>0.98/115VAC		PF>0.96/230VAC		
	Efficiency ( Typical)	88%	89%	90%	90%	
	AC Current (max.)	<7A				
	Inrush Current (Typical)	<20A@230Vac Cold start				
	Leakage Current	Input—output: ≤0.1mA Input—PG: ≤0.75mA				
PROTECTION	Over Load	110%-135% of rated output current, constant current				
	Over Temperature	105℃±5℃(detect on Mosfet temperature);shut down,auto recovery after the temperature goes down to 75℃				
	Over Voltage	110%-150% of rated voltage; constant voltage				
	Short Circuit	Long-term mode, constant current, auto recovery				
ENVIRONMENT	Operating amb. Temp. & Hum.	-20℃~70℃; 20%~90%RH No condensing (refer to derating curve)				
	Storage Temp. & Hum.	-40℃~85℃; 10%~95%RH No condensing				
SAFETY & EMC (Note 3)	Safety Standards	IEC60950/ UL60950 /; EN60950-1: 2006				
	Withstand Voltage	Primary-Secondary:3.0kVac; ≤10mA .Primary-PG:1.5kVac; ≤10mA. Secondary-PG:0.5kVac;≤10mA.				
	Isolation Resistance	≥100M ohms				
	EMI Conduction&Radiation	Compliance to EN55022(CISPR22)ClassB				
	Harmonic Current	Compliance to EN61000-3-2,17625.1-2003				
	EMS Immunity	Compliance to EN61000-4-2,3,4,5,6,8,11;ENV50204,light industry level,criteriaA				
OTHERS	MTBF (MIL-HDBK-217F)	More than 200,000Hrs (25℃, Full load)				
	Dimension (L*W*H)	218×116.5×42.5mm				
	Packing	6PCS/CTN, 8.7KGS, 0.04CBM				
	Cooling method	Forced air cooling(Built-in fan)				
NOTE	1. All parameters NOT specially mentioned are measured at 230Vac input, rated load and 25℃ of ambient temperature. 2. Measured at 20MHz of bandwidth by using a 12" twisted pair-wire terminated with a 0.1 uF & 47uF parallel capacitor. 3. The SPS is considered a component which will be installed into final equipment. The equipment must be re-confirmed that it still meets EMC directives.					

■ **Mechanical Specification**

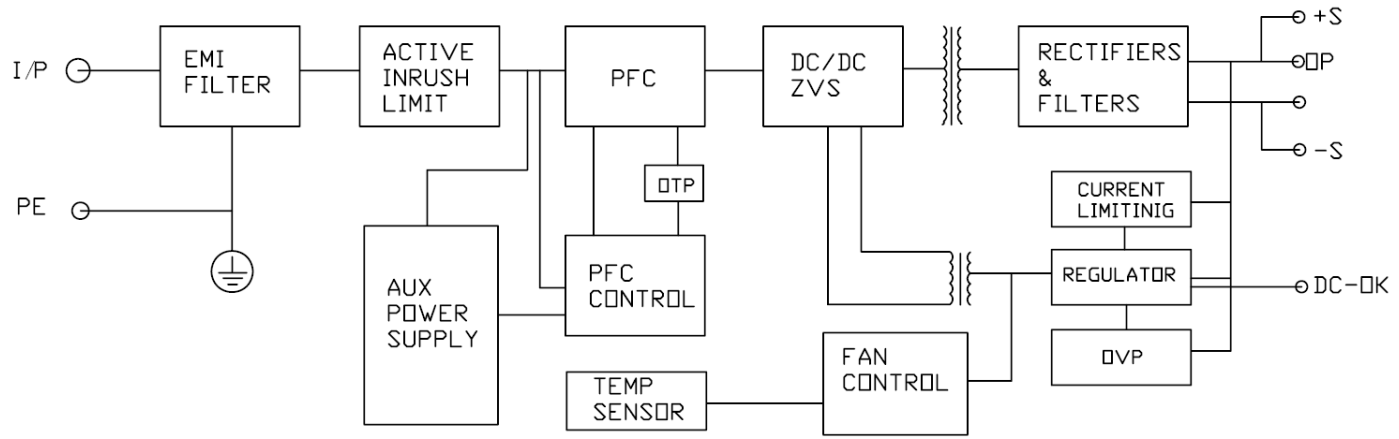
Unit:mm



Position	Function
1	+S(Remote Sense)
2	-S(Remote Sense)
3	DC-OK
4	GND



■ **Block Diagram**



■ Derating Curve

