


■ Features:

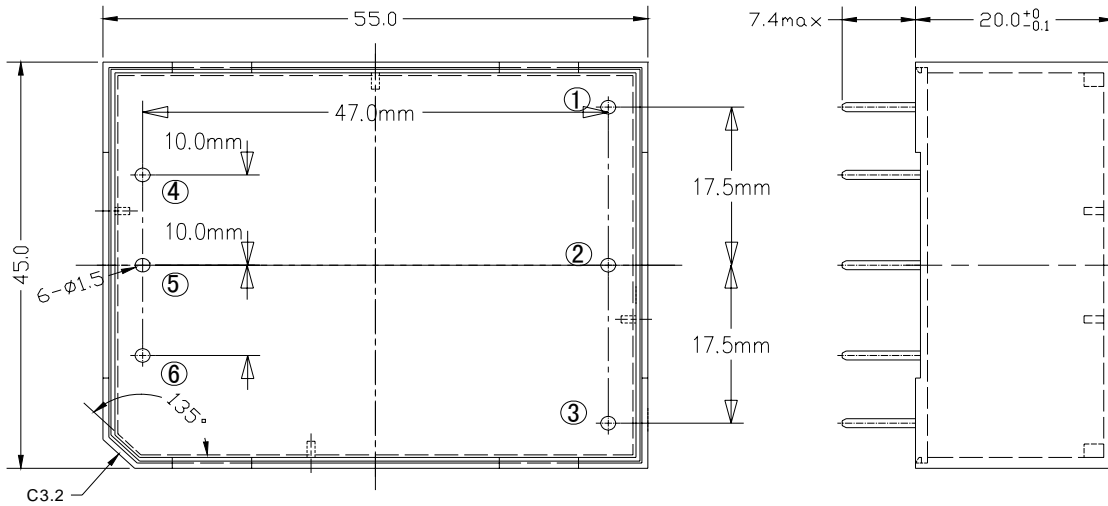
- Universal input range(90-264Vac)
- No load power < 0.3W
- Output protections: SCP/ OVP/OCV
- Operating ambient temperature (-20°C~70°C)
- All using 105°C long life electrolytic capacitors.
- 100% full load burn-in test
- 3 years warranty

SPECIFICATION

MODEL		PMA(B)-U5S5	PMA(B)-U5S12	PMA(B)-U5S15
OUTPUT	DC Output	5.0Vdc	12.0Vdc	15.0Vdc
	Rated Current	1A	0.4A	0.34A
	Current Range	0-1A	0-0.34A	0-0.34A
	Ripple and Noise <small>Note 2</small>	0~70°C≤50mV; -20°C≤120mV	0~70°C≤50mV; -20°C≤120mV	0~70°C≤50mV; -20°C≤120mV
	Voltage Accuracy	±3.0%	±3.0%	±3.0%
	Line Regulation	±1.0%	±1.0%	±1.0%
	Load Regulation	±2.0%	±2.0%	±2.0%
	Set-up Time	≤1.5S		
	Hold up Time	≥20mS		
	Temperature Coefficient	±0.03%/ °C		
Overshoot and Undershoot	<5.0%			
INPUT	Voltage Range	90Vac~264Vac		
	Frequency Range	47Hz~63Hz		
	Efficiency (Typical)	75%	76%	78%
	AC Current (max.)	0.25A		
	Inrush Current (Typical)	<50A Cold start		
	Leakage Current	<3.5mA		
PROTECTION	Over Current	130%~180% of rated output current,hiccup mode,auto recovery		
	Over Voltage	105%~150% of rated output voltage, constant voltage		
	Shorted Circuit	Long-term mode, auto recovery		
ENVIRONMENT	Operating amb. Temp. & Hum.	-20°C~70°C; 20%~90%RH No condensing (refer to the derating curve)		
	Storage Temp. & Hum.	-40°C~85°C; 10%~95%RH No condensing		
SAFETY & EMC <small>Note 3</small>	Safety Standards	UL60950-1; EN60950-1: 2006		
	Withstand Voltage	Primary-Secondary:3.0kVac; ≤10mA .Primary-PG:1.5kVac; ≤10mA. Secondary-PG:0.5kVac; ≤10mA.		
	Isolation Resistance	100M ohms		
	EMI	Compliance to EN55022(CISPR22)ClassB		
	EMS Immunity	Compliance to EN61000-4-2,3,4,5,6,8,11;ENV50204,light industry level,criteriaA		
OTHERS	MTBF (MIL-HDBK-217F)	More than 100,000Hrs (25°C, Full load)		
	Dimension (L*W*H)	55×45×20mm		
	Packing	100pcs/carton, 8.5Kgs, 0.036CBM		
	Cooling method	Cooling by free air convection		
NOTE	<ol style="list-style-type: none"> All parameters NOT specially mentioned are measured at rated input, rated load and 25°C of ambient temperature. Measured at 20MHz of bandwidth by using a 12" twisted pair-wire terminated with a 0.1 uF & 47uF parallel capacitor. The SPS is considered a component which will be installed into final equipment. The equipment must be re-confirmed that it still meets EMC directives. 			

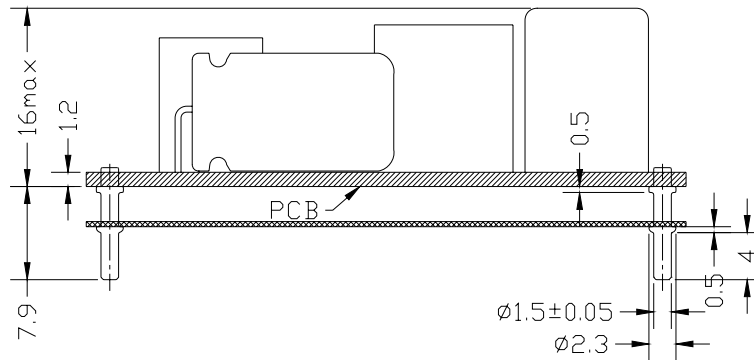
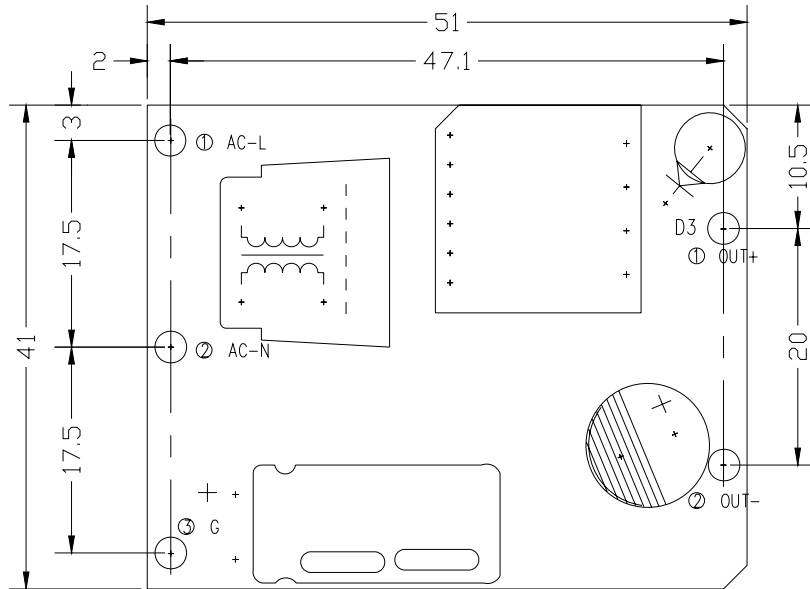
■ Mechanical Specification

Unit: mm



PMA-U5

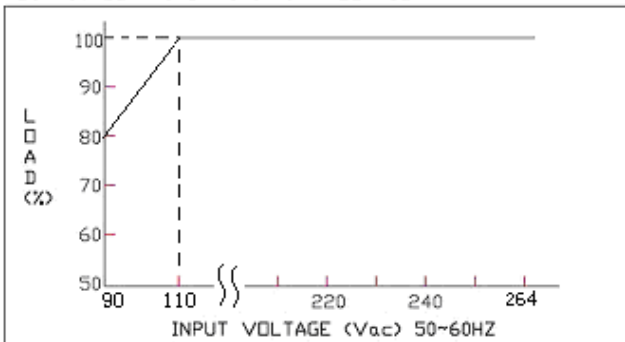
Pin No.	Assignment
1	FG
2	AC-N
3	AC-L
4	DC output -V
5	No Pin
6	DC output +V



PMB-U5

■ Derating Curve:

OUTPUT DERATING VS INPUT VOLTAGE



OUTPUT DERATING

