


**■ Features:**

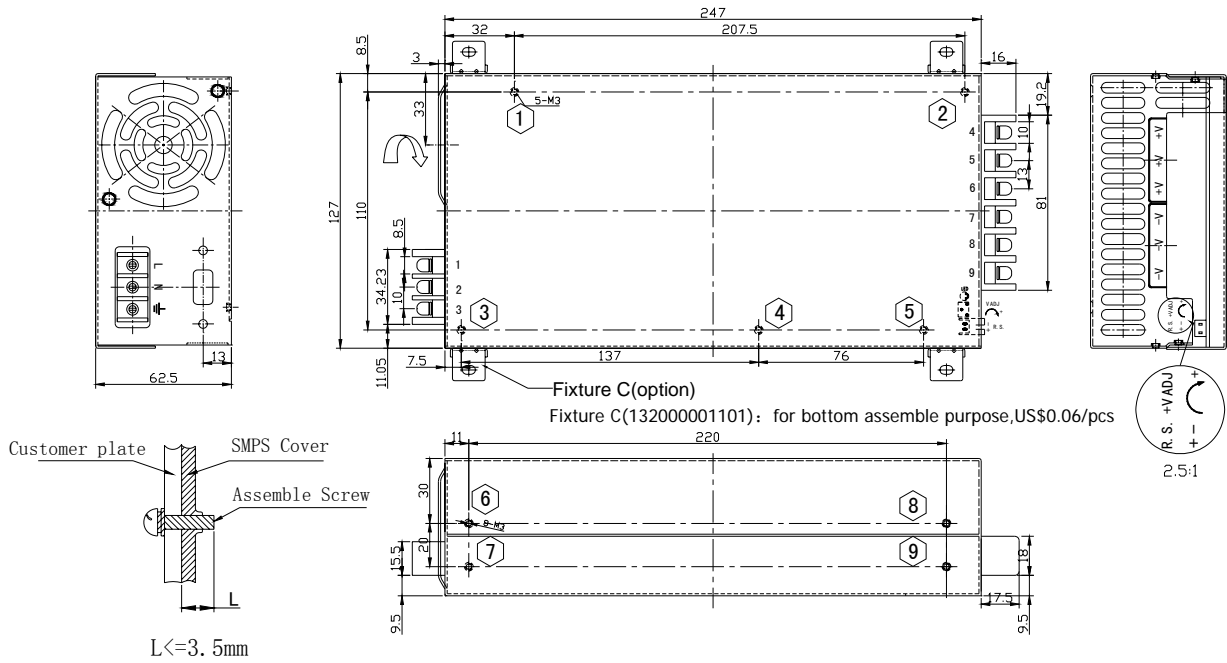
- AC input selectable by switch(115Vac/230Vac)
- High Efficiency, and High reliability
- Output protections: OLP/OVP/SCP/OTP
- Wide operating ambient temperature (-20°C~60°C)
- Built-in remote sense function
- All using 105°C long life electrolytic capacitors.
- 100% full load burn-in test
- 2 years warranty

**SPECIFICATION**

MODEL		PD-600-5	PD-600-12	PD-600-24	PD-600-48	
OUTPUT	DC Output	5V	12V	24V	48V	
	Rated Current	100A	50A	25 A	12.5A	
	Current Range Note 1	0~100A	0~50A	0~25A	0~12.5A	
	Ripple and Noise(max) Note 2	<150mV	<150mV	<150mV	<150mV	
	Voltage ADJ. Range	±10% of rated output voltage				
	Voltage Accuracy	±2.0%	±1.0%	±1.0%	±1.0%	
	Line Regulation/	±0.5%	±0.5%	±0.5%	±0.5%	
	Load Regulation	±1.0%	±1.0%	±1.0%	±1.0%	
	Set-up Time	<2.0S (115Vac input, Full load); <2.0S (230Vac input, Full load)				
	Hold up Time	>20mS(115Vac input, Full load); >20mS(230Vac input, Full load)				
	Temperature Coefficient	±0.03%/°C				
	Overshoot and Undershoot	<5.0%				
INPUT	Voltage Range Note 3	90Vac~132Vac/ 176Vac~264Vac(selected by switch)				
	Frequency Range	47Hz~63Hz				
	Efficiency ( Typical)	115Vac input	76%	81%	83%	86%
		230Vac input	77%	82%	84%	87%
	AC Current (max.)	<12A@115VAC, <7.5A@230VAC				
	Inrush Current (Typical)	30A@115Vac	50A@230Vac	Cold start		
Leakage Current	<1mA					
PROTECTION	Over Load	105%~130% of rated output current , hiccup mode,auto recovery				
	Over Voltage	120%~150% of rated output voltage, shut down,re-power on to recover				
	Short Circuit	Long-term mode, auto recovery				
	Over Temperature	105°C±5°C (detect on Mosfet temperature);shut down,auto recovery after the temperature goes down to 75°C				
ENVIRONMENT	Operating amb. Temp. & Hum.	-20°C~60°C; 20%~90%RH No condensing(refer to the derating curve)				
	Storage Temp. & Hum.	-40°C~85°C; 10%~95%RH No condensing				
SAFETY & EMC	Safety Standards	UL60950-1; EN60950-1: 2006				
	Withstand Voltage	Primary-Secondary:3.0KVac; .Primary-PG:1.5KVac; Secondary-PG:0.5KVDC				
	Isolation Resistance	≥100M ohms				
OTHERS	MTBF (MIL-HDBK-217F)	More than 100,000Hrs (25°C, Full load)				
	Dimension (L*W*H)	247×127×63.5mm				
	Packing	6pcs/carton, 13Kgs, 0.04CBM				
	Cooling method	Forced air cooling by built in DC fan				
NOTE	1. All parameters NOT specially mentioned are measured at rated input, rated load and 25°C of ambient temperature. 2. Measured at 20MHz of bandwidth by using a 12" twisted pair-wire terminated with a 0.1 uF & 47uF parallel capacitor. 3. AC input range selected by switch.					

■ Mechanical Specification

Unit: mm



■ Derating Curve

