



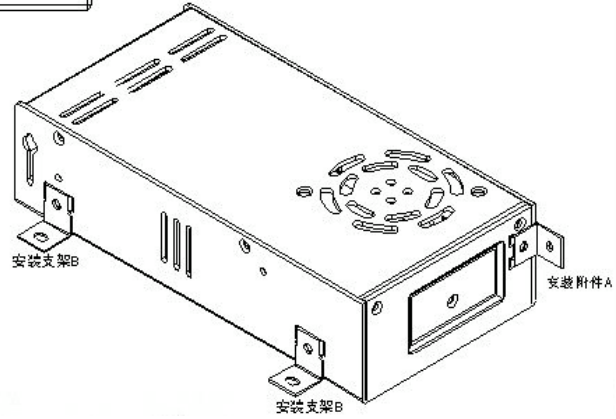
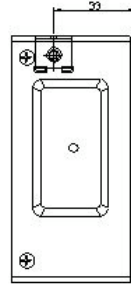
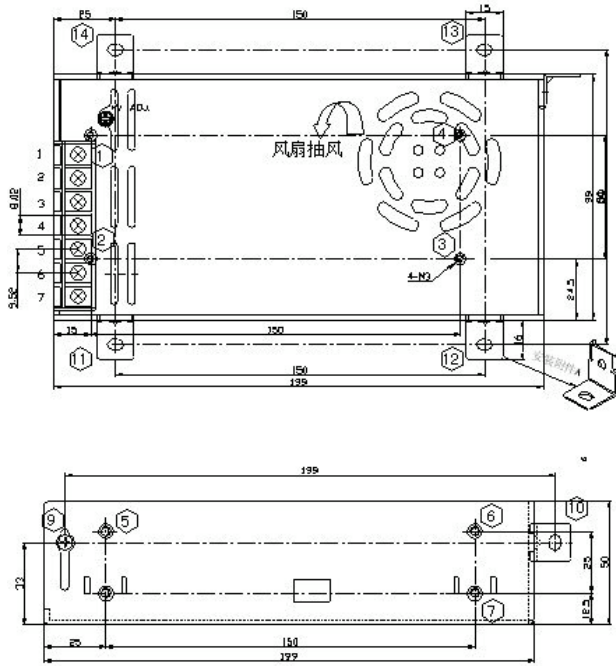
- Features:**
- AC input selectable by switch (115Vac/230Vac)
  - Withstand 300Vac surge input (5S)
  - High Efficiency, and High reliability
  - Terminal block with plastic cover protection
  - Output protections: OPP/OLP/SCP/OVP/OTP
  - Wide operating ambient temperature (-20°C~70°C)
  - All using 105°C long life electrolytic capacitors.
  - 100% full load burn-in test
  - Suitable for peak load application
  - 2 years warranty

**SPECIFICATION**

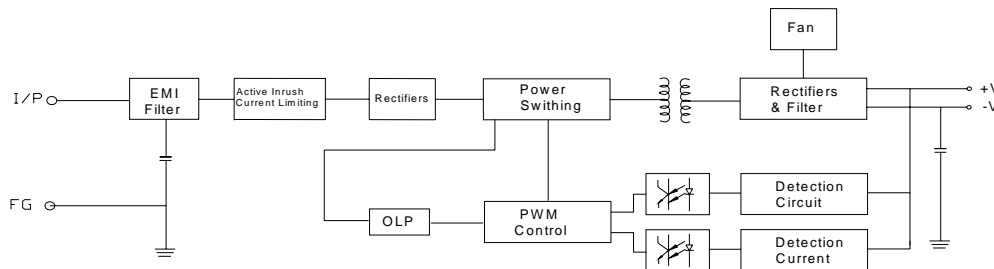
MODEL		GK-L/H350S24C	GK-L/H350S36C	GK-L/H350S48C	
OUTPUT	DC Output	24V	36V	48V	
	Rated Current	14.6A	9.7A	7.3A	
	Current Range	0~14.6A	0~9.7A	0~7.3A	
	Ripple and Noise	0~70°C	≤240mV	≤240mV	≤240mV
		Note 2 -20~0°C	≤480mV	≤480mV	≤480mV
	Voltage ADJ. Range	±10%			
	Voltage Accuracy	±1%			
	Line Regulation	±0.5%			
	Load Regulation	±1%			
	Set-up Time	<3.0S (220Vac input, Full load)			
	Hold up Time	>15mS (220Vac input, Full load)			
	Temperature Coefficient	±0.03%/°C			
	Overshoot and Undershoot	<5.0%			
INPUT	Voltage Range	90~132Vac/176~264Vac			
	Frequency Range	47Hz~63Hz			
	Efficiency ( Typical)	86%	86%	87%	
	AC Current (max.)	4.5A			
	Inrush Current (Typical)	<50A@220Vac Cold start			
	Leakage Current	Input to PG<3.5mA Input to output<0.25m			
PROTECTION	Over Load	105%~150% of rated output current, constant current, auto recovery			
	Over power	105%~150% of rated output current, constant current, auto recovery			
	Over temperature	95°C±5°C (detect on heatsink of power transistor):shut down,auto recovery after the temperature goes down			
	Short Circuit	Long-term mode, auto recovery			
ENVIRONMENT	Operating amb. Temp. & Hum.	-20°C~70°C; 20%~90%RH No condensing (refer to the derating curve)			
	Vibration	10 ~ 150Hz, 2G 10min./1cycle, period for60min. each along X,Y, Z axes			
	Storage Temp. & Hum.	-40°C~85°C; 10%~95%RH No condensing			
SAFETY & EMC (Note 3)	Safety Standards	IEC/EN/UL/CSA 60950 GB4943			
	Withstand Voltage	Primary-Secondary:3.0KVac; ≤10mA .Primary-PG:1.5KVac; ≤10mA. Secondary-PG:0.5KVDC;≤10mA.			
	Isolation Resistance	≥100M ohms			
	EMI Conduction&Radiation	Compliance to EN55022 Class A			
	EMS Immunity	Compliance to EN61000-4-2,3,4,5,6,8,11			
OTHERS	MTBF (MIL-HDBK-217F)	More than 200,000Hrs (25°C , Full load)			
	Dimension (L*W*H)	199×99×50mm			
	Packing	45PCS/CTN, 17.2KGS, 0.02CBM			
	Cooling method	Forced air cooling (built-in Fan)			
NOTE	1. All parameters NOT specially mentioned are measured at 230Vac input, rated load and 25°C of ambient temperature. 2. Measured at 20MHz of bandwidth by using a 12" twisted pair-wire terminated with a 0.1 uF & 47uF parallel capacitor 3. The SPS is considered a component which will be installed into final equipment. The equipment must be re-confirmed that it still meets EMC directives.				

**Mechanical Specification**

Unit: mm



**Block Diagram**



**Derating Curve**

