

STANDARD AC AXIAL FAN

180*180*60mm

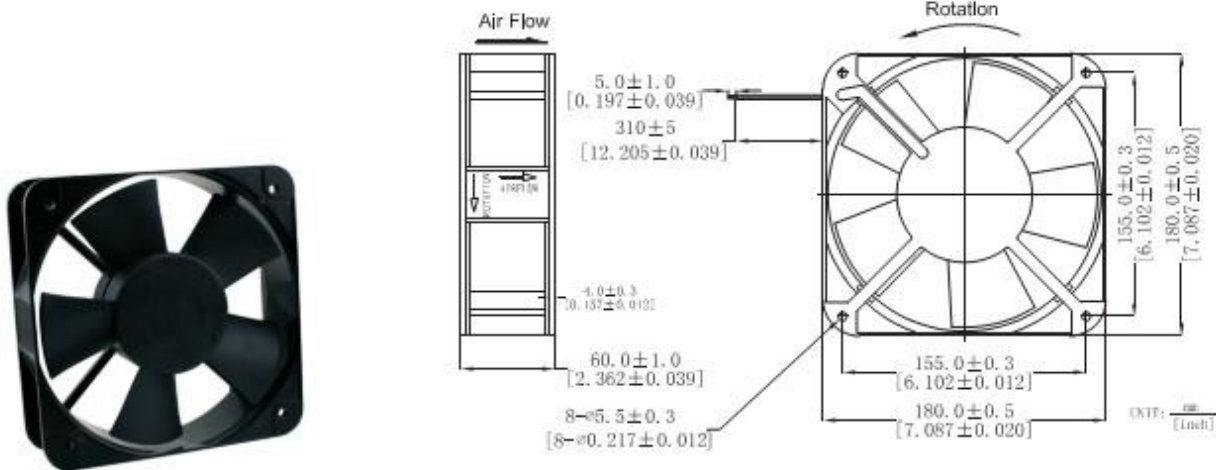
AC18060 Series



RUNDA

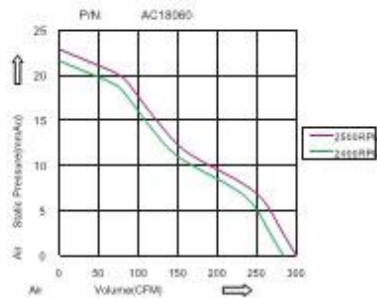
www.szrunda.com

DIMENSIONS DRAWING

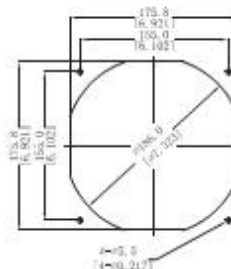


外框材质:铝合金
Frame: Aluminum
扇叶材质:环保防火PBT
Impeller: Thermoplastic PBT UL94-V0
轴承结构:双滚珠或长寿命含油结构
Bearing system: 2Ball or Long life sleeve
单体风扇重量:1550g
Unit Weight:1550g

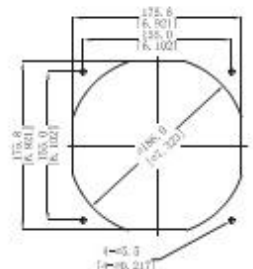
P&Q CURVE (AT RATED VOLTAGE)



OUTLET SIDE



INLET SIDE



Part Number	Voltage(V)	Frequency (HZ)	Power(W)	Current (Amp)	Speed(RPM)	Air flow(Q)	Pressure(P)	Noise(dBA)		
产品编号	电压	频率	功率	电流	转速	(CFM) 风量	m ³ /min (mmAq)风压 (In H ₂ O)	噪音		
AC18060B110H	AC 110/120	50/60	50	0.70	2500	300	8.50	22.86	0.90	65
AC18060B220H	AC 220/240	50/60	50	0.35	2500	300	8.50	22.86	0.90	65
AC18060B380H	AC 380	50/60	50	0.18	2400	283	8.00	21.60	0.85	65

- ★ 如果您需要的转速或电压或功能不在这份清单上, 请与我们联系。
If you want another rpm or voltage or functions which one is not in the list, please contact with our sales.
- ★ 提示1:功能的具体信息参照产品目录前页篇章。
Notes1: The catalog have detail information in the front page for the functions.
- ★ 提示2:产品详细信息请参照承认书。
Notes2: Product have a detail in the approval sheet.
- ★ 提示3:产品规格变更不另行通知。
Notes3: Specifications are subject to change without notice.