

STANDARD AC AXIAL FAN

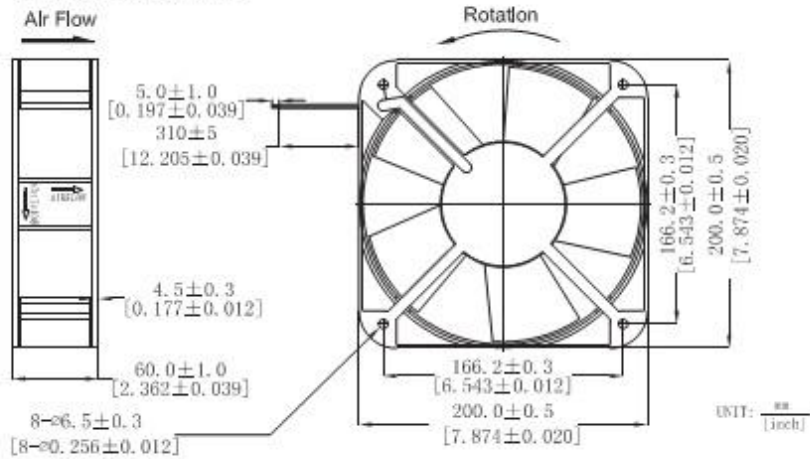
RUNDA
www.szrunda.com

200*200*60mm

AC20060 Series

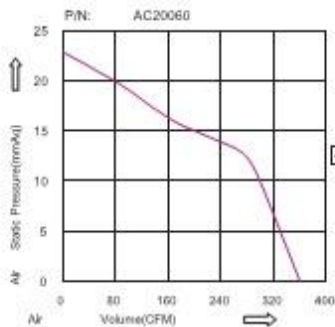


DIMENSIONS DRAWING

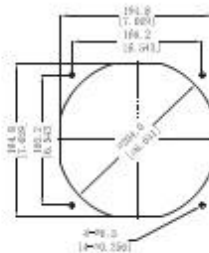


外框材质:铝合金
Frame:Aluminum
扇叶材质:环保防火PBT
Impeller:Thermoplastic PBT UL94-V0
轴承结构:双滚珠或长寿命含油结构
Bearing system:2Ball or Long life sleeve
单体风扇重量:1625g
Unit Weight:1625g

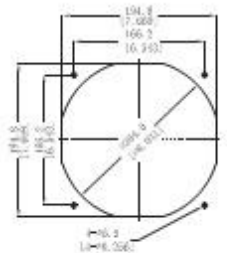
P&Q CURVE (AT RATED VOLTAGE)



OUTLET SIDE



INLET SIDE



UNIT: mm [inch]

Part Number	Voltage(V)	Frequency (HZ)	Power(W)	Current (Amp)	Speed(RPM)	Air flow(Q)	Pressure(P)	Noise(dBA)
产品编号	电压	频率	功率	电流	转速	(CFM) 风量	m ³ /min (mmAq)风压 (In H ₂ O)	噪音
AC20060B110H	AC 110/120	50/60	47	0.50	2400	360	10.20 22.86 0.90	56
AC20060B220H	AC 220/240	50/60	42	0.32	2400	360	10.20 22.86 0.90	56
AC20060B380H	AC 380	50/60	40	0.17	2400	360	10.20 22.86 0.90	56

★ 如果您需要的转速或电压或功能不在这份清单上，请与我们联系。
If you want another rpm or voltage or functions which one is not in the list, please contact with our sales.

★ 提示1:功能的具体信息参照产品目录前页篇章。
Notes1:The catalog have detail information in the front page for the functions.

★ 提示2:产品详细信息请参照承认书。
Notes2:Product have a detail in the approval sheet.

★ 提示3:产品规格变更不另行通知。
Notes3:Specifications are subject to change without notice.