

## Цилиндрические соединители

### Серия ON15-228



Цилиндрические круглые соединители серии **15-228** широко используются в соединениях линии между электрическим оборудованием, различными инструментами и измерительными приборами. Эти разъемы соответствуют стандарту MIL-C-5015, существуют особенности: легкий вес, материал из алюминиевого сплава, широкий ассортимент, резьбовое соединение, хорошая производительность уплотнения, сопротивление коррозии высокой проводимости и высокой диэлектрической прочности. Это идеальный продукт для замены серии MIL-C-5015 из Amphenol.

#### Материал и обработка поверхности:

Корпус: алюминиевый сплав, темно-зеленый металлизированный

Изолятор: PPS

Корпус контакта: медный сплав, посеребрённый

#### Технические характеристики:

Рабочая температура -55... +125° C

Сопротивление изоляции 5000 Ом/мин

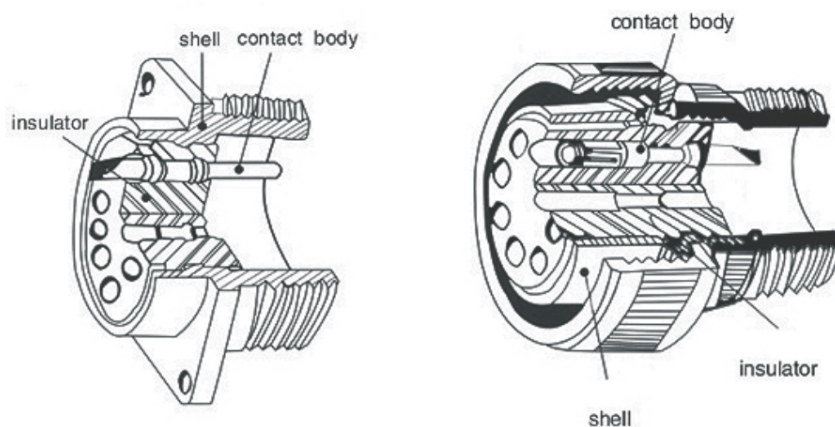
Выдерживаемое напряжение 2000 В

Рабочее напряжение 500В/ 700В

Износостойкость >500 циклов

Номинальный ток:

| Contact size | Rated current(A) | Jointing of diameter(mm) | Wire size A.W.G | Max. | Average | Min. |
|--------------|------------------|--------------------------|-----------------|------|---------|------|
|              |                  |                          |                 | kg   |         |      |
| 16 #         | 13               | φ 2.0                    | 22 # ~16 #      | 1.36 | 0.95    | 0.11 |
| 12 #         | 23               | φ 3.0                    | 14 # ~12 #      | 2.26 | 1.58    | 0.22 |
| 8 #          | 46               | φ 5.2                    | 10 # ~8 #       | 4.53 | 3.17    | 0.34 |
| 4 #          | 80               | φ 8.5                    | 6 # ~4 #        | 6.8  | 4.76    | 0.45 |
| 0 #          | 150              | φ 12.0                   | 2 # ~0 #        | 9.97 | 6.35    | 0.9  |



**Система обозначений:**

**ON15-228-MS 3106A-20-27-JW**

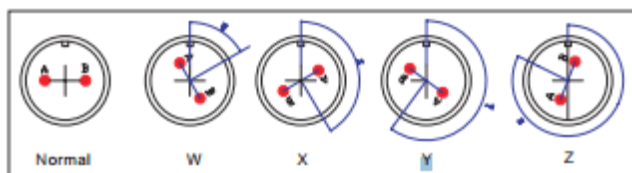
1            2            3            4            5            6            7

ON — производитель Onelec

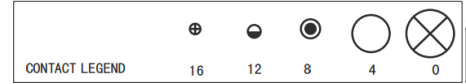
1. Стандартный разъем: MS;
2. Код разъема: 3106, 3108, 3100, 3101, 3102;



3. Категория: А — целостная трубка;  
В — раздвоенная трубка;
4. Диаметр розетки: 8, 10, 12, 14, 16, 18, 20, 22, 24, 28, 32, 36, 40, 44, 48;
5. Группа отверстий кодового номера: 27;
6. Тип контактов: J — вилка, К - розетка;
7. Основные позиции: W, X, Y, Z.



## Расположение вставки, от направления вставки штифта



|                    |       |        |        |       |       |      |
|--------------------|-------|--------|--------|-------|-------|------|
|                    |       |        |        |       |       |      |
| Insert arrangement | 10S-2 | 10SL-3 | 10SL-4 | 12S-3 | 12S-4 | 12-5 |
| Service rating     | A     | A      | A      | A     | D     | D    |
| Number of contacts | 1     | 3      | 2      | 2     | 1     | 1    |
| Contact size       | 16    | 16     | 16     | 16    | 16    | 12   |

|                    |       |       |       |       |       |       |
|--------------------|-------|-------|-------|-------|-------|-------|
|                    |       |       |       |       |       |       |
| Insert arrangement | 14S-2 | 14S-5 | 14S-6 | 14S-7 | 14S-9 | 14S-3 |
| Service rating     |       |       |       | A     | A     | A     |
| Number of contacts | 4     | 5     | 6     | 3     | 2     | 1     |
| Contact size       | 16    | 16    | 16    | 16    | 16    | 8     |

|                    |       |       |       |       |       |       |
|--------------------|-------|-------|-------|-------|-------|-------|
|                    |       |       |       |       |       |       |
| Insert arrangement | 16S-1 | 16S-3 | 16S-4 | 16S-5 | 16S-6 | 16S-8 |
| Service rating     | A     | B     | D     | A     | A     | A     |
| Number of contacts | 7     | 1     | 2     | 3     | 3     | 5     |
| Contact size       | 16    | 16    | 16    | 16    | 16    | 16    |

|                    |      |      |       |       |       |       |
|--------------------|------|------|-------|-------|-------|-------|
|                    |      |      |       |       |       |       |
| Insert arrangement | 16-2 | 16-7 | 16-9  | 16-10 | 16-11 | 16-12 |
| Service rating     | E    | A    | A     | A     | A     | A     |
| Number of contacts | 1    | 2 1  | 2 2   | 3     | 2     | 1     |
| Contact size       | 12   | 16 8 | 16 12 | 12    | 12    | 4     |

|                    |       |  |  |  |  |  |
|--------------------|-------|--|--|--|--|--|
|                    |       |  |  |  |  |  |
| Insert arrangement | 16-13 |  |  |  |  |  |
| Service rating     | A     |  |  |  |  |  |
| Number of contacts | 2     |  |  |  |  |  |
| Contact size       | 12    |  |  |  |  |  |

|                    |      |      |      |       |      |      |
|--------------------|------|------|------|-------|------|------|
|                    |      |      |      |       |      |      |
| Insert arrangement | 18-1 | 18-3 | 18-4 | 18-5  | 18-6 | 18-7 |
| Service rating     |      | D    | D    | D     | D    | B    |
| Number of contacts | 10   | 2    | 4    | 1 2   | 1    | 1    |
| Contact size       | 16   | 12   | 16   | 16 12 | 4    | 8    |

|                    |       |       |       |       |       |       |
|--------------------|-------|-------|-------|-------|-------|-------|
|                    |       |       |       |       |       |       |
| Insert arrangement | 18-8  | 18-9  | 18-10 | 18-11 | 18-12 | 18-13 |
| Service rating     | A     |       | D     | A     | A     | A     |
| Number of contacts | 7 1   | 5 2   | 4     | 5     | 6     | 3 1   |
| Contact size       | 16 12 | 16 12 | 12    | 12    | 16    | 12 8  |

|                    |       |       |       |       |  |  |
|--------------------|-------|-------|-------|-------|--|--|
|                    |       |       |       |       |  |  |
| Insert arrangement | 18-14 | 18-15 | 18-16 | 18-22 |  |  |
| Service rating     | A     | A     | C     | D     |  |  |
| Number of contacts | 1 1   | 4     | 1     | 3     |  |  |
| Contact size       | 4 16  | 12    | 12    | 16    |  |  |

|                    |      |      |      |      |      |       |
|--------------------|------|------|------|------|------|-------|
|                    |      |      |      |      |      |       |
| Insert arrangement | 20-2 | 20-3 | 20-4 | 20-7 | 20-8 | 20-9  |
| Service rating     | D    | D    | D    |      |      |       |
| Number of contacts | 1    | 3    | 4    | 8    | 4 2  | 7 1   |
| Contact size       | 0    | 12   | 12   | 16   | 16 8 | 16 12 |

|                    |       |       |       |       |       |       |
|--------------------|-------|-------|-------|-------|-------|-------|
|                    |       |       |       |       |       |       |
| Insert arrangement | 20-14 | 20-15 | 20-16 | 20-17 | 20-18 | 20-19 |
| Service rating     | A     | A     | A     | A     | A     | A     |
| Number of contacts | 3 2   | 7     | 7 2   | 1 5   | 6 3   | 3     |
| Contact size       | 12 8  | 12    | 16 12 | 16 12 | 16 12 | 8     |

|                    |       |       |       |       |       |       |
|--------------------|-------|-------|-------|-------|-------|-------|
|                    |       |       |       |       |       |       |
| Insert arrangement | 20-20 | 20-21 | 20-22 | 20-23 | 20-24 | 20-27 |
| Service rating     | A     | A     | A     | A     | A     | A     |
| Number of contacts | 3 1   | 8 1   | 3 3   | 2     | 2 2   | 14    |
| Contact size       | 12 4  | 16 12 | 16 8  | 8     | 16 8  | 16    |

|                    |       |       |  |  |  |  |
|--------------------|-------|-------|--|--|--|--|
|                    |       |       |  |  |  |  |
| Insert arrangement | 20-29 | 20-33 |  |  |  |  |
| Service rating     | A     | A     |  |  |  |  |
| Number of contacts | 17    | 11    |  |  |  |  |
| Contact size       | 16    | 16    |  |  |  |  |

|                    |      |      |       |      |      |      |
|--------------------|------|------|-------|------|------|------|
|                    |      |      |       |      |      |      |
| Insert arrangement | 22-2 | 22-4 | 22-5  | 22-6 | 22-7 | 22-9 |
| Service rating     | D    | A    | D     | D    | E    | E    |
| Number of contacts | 3    | 4    | 4 2   | 1 2  | 1    | 3    |
| Contact size       | 8    | 16   | 16 12 | 16 8 | 0    | 12   |

|                    |       |       |       |       |       |       |
|--------------------|-------|-------|-------|-------|-------|-------|
|                    |       |       |       |       |       |       |
| Insert arrangement | 22-10 | 22-11 | 22-12 | 22-13 | 22-14 | 22-15 |
| Service rating     | E     | B     | D     | A     | A     | A     |
| Number of contacts | 4     | 2     | 3 2   | 1 4   | 19    | 1 5   |
| Contact size       | 16    | 16    | 16 8  | 16 12 | 16    | 16 12 |

|                    |       |       |       |       |       |       |
|--------------------|-------|-------|-------|-------|-------|-------|
|                    |       |       |       |       |       |       |
| Insert arrangement | 22-17 | 22-18 | 22-19 | 22-20 | 22-21 | 22-22 |
| Service rating     | A     | A     | A     | A     | A     | A     |
| Number of contacts | 8 1   | 8     | 14    | 9     | 2 1   | 4     |
| Contact size       | 16 12 | 16    | 16    | 16    | 16 10 | 8     |

|                    |       |       |       |       |  |  |
|--------------------|-------|-------|-------|-------|--|--|
|                    |       |       |       |       |  |  |
| Insert arrangement | 22-23 | 22-27 | 22-28 | 22-36 |  |  |
| Service rating     |       |       | D     |       |  |  |
| Number of contacts | 8     | 8 1   | 7     | 8     |  |  |
| Contact size       | 12    | 16 8  | 12    | 12    |  |  |

|                    |      |      |      |      |       |       |
|--------------------|------|------|------|------|-------|-------|
|                    |      |      |      |      |       |       |
| Insert arrangement | 24-2 | 24-4 | 24-5 | 24-6 | 24-7  | 24-10 |
| Service rating     | D    | D    | A    | A    | A     | A     |
| Number of contacts | 7    | 3 1  | 16   | 8    | 14 2  | 7     |
| Contact size       | 12   | 16 0 | 16   | 12   | 16 12 | 8     |

|                    |       |       |         |       |       |       |
|--------------------|-------|-------|---------|-------|-------|-------|
|                    |       |       |         |       |       |       |
| Insert arrangement | 24-11 | 24-12 | 24-16   | 24-20 | 24-21 | 24-22 |
| Service rating     | A     | A     | A       | D     | D     | D     |
| Number of contacts | 6 3   | 3 2   | 3 3 1   | 9 2   | 9 1   | 4     |
| Contact size       | 12 8  | 12 4  | 16 12 8 | 16 12 | 16 8  | 8     |

|                    |       |       |       |  |  |  |
|--------------------|-------|-------|-------|--|--|--|
|                    |       |       |       |  |  |  |
| Insert arrangement | 24-27 | 24-28 | 24-80 |  |  |  |
| Service rating     | E     |       |       |  |  |  |
| Number of contacts | 7     | 24    | 23    |  |  |  |
| Contact size       | 16    | 16    | 16    |  |  |  |

|                    |      |       |      |       |         |      |
|--------------------|------|-------|------|-------|---------|------|
|                    |      |       |      |       |         |      |
| Insert arrangement | 28-1 | 28-2  | 28-3 | 28-4  | 28-5    | 28-7 |
| Service rating     | A    | D     | E    | D     | D       | A    |
| Number of contacts | 6 3  | 12 2  | 3    | 7 2   | 2 1 2   | 2    |
| Contact size       | 12 8 | 16 12 | 8    | 16 12 | 16 12 4 | 4    |

### Расположение вставки, от направления вставки штифта

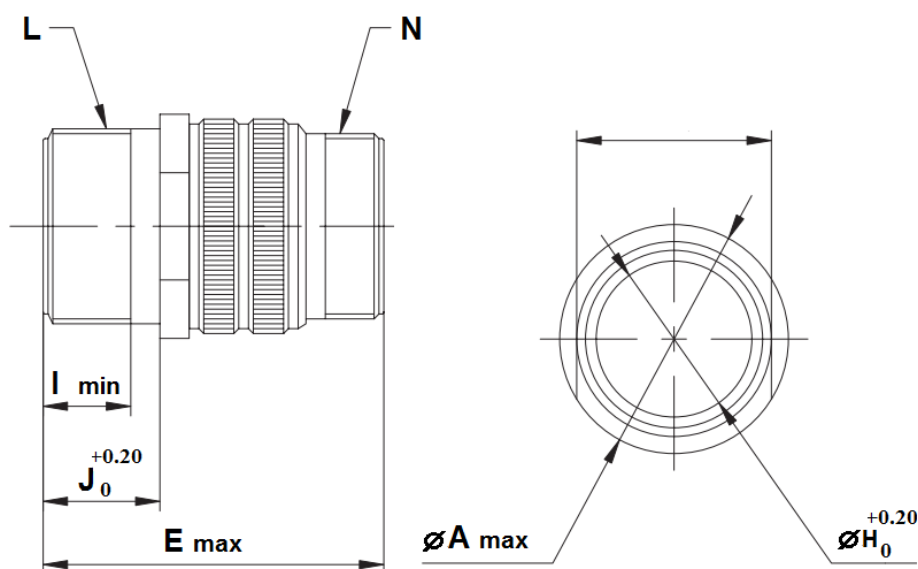


|                    |       |       |        |       |       |       |
|--------------------|-------|-------|--------|-------|-------|-------|
|                    |       |       |        |       |       |       |
| Insert arrangement | 28-8  | 28-9  | 28-10  | 28-11 | 28-12 | 28-15 |
| Service rating     | A     | D     | A      | A     | A     | A     |
| Number of contacts | 10 2  | 6 6   | 3 2 2  | 18 4  | 26    | 35    |
| Contact size       | 16 12 | 16 12 | 12 8 4 | 16 12 | 16    | 16    |

|                    |       |       |       |       |       |       |
|--------------------|-------|-------|-------|-------|-------|-------|
|                    |       |       |       |       |       |       |
| Insert arrangement | 28-16 | 28-17 | 28-18 | 28-19 | 28-20 | 28-21 |
| Service rating     | A     | A     | D     | A     | A     | A     |
| Number of contacts | 20    | 15    | 12    | 6 4   | 4 10  | 37    |
| Contact size       | 16    | 16    | 16    | 16 12 | 16 12 | 16    |

|                    |       |  |  |  |  |  |
|--------------------|-------|--|--|--|--|--|
|                    |       |  |  |  |  |  |
| Insert arrangement | 28-22 |  |  |  |  |  |
| Service rating     | D     |  |  |  |  |  |
| Number of contacts | 3 3   |  |  |  |  |  |
| Contact size       | 16 4  |  |  |  |  |  |

### MS3101



| 壳体号<br>Shell size | A     | E     | φH    | I     | J     | J                | N                 |
|-------------------|-------|-------|-------|-------|-------|------------------|-------------------|
|                   |       |       |       |       |       | 螺纹 Scerw thread  | 螺丝 Scerw thread   |
| 10S               | 24.61 | 38.88 | 11.6  | 9.53  | 14.3  | 5/8-24 UNEF-2A   | 1/2-28 UNEF-2A    |
| 10SL              | 24.61 | 38.88 | 11.6  | 9.53  | 14.3  | 5/8-24 UNEF-2A   | 5/8-24 UNEF-2A    |
| 12S               | 26.97 | 42.87 | 14.4  | 9.53  | 14.3  | 3/4-20 UNEF-2A   | 5/8-24 UNEF-2A    |
| 12                | 26.97 | 52.37 | 14.4  | 15.88 | 19.05 | 3/4-20 UNEF-2A   | 5/8-24 UNEF-2A    |
| 14S               | 29.36 | 42.87 | 17.45 | 9.53  | 14.3  | 7/8-20 UNEF-2A   | 3/4-20 UNEF-2A    |
| 14                | 29.36 | 52.37 | 17.45 | 15.88 | 19.05 | 7/8-20 UNEF-2A   | 3/4-20 UNEF-2A    |
| 16S               | 31.75 | 42.87 | 20.75 | 9.53  | 14.3  | 1-20 UNEF-2A     | 7/8-20 UNEF-2A    |
| 16                | 31.75 | 52.37 | 20.75 | 15.88 | 19.05 | 1-20 UNEF-2A     | 7/8-20 UNEF-2A    |
| 18                | 34.13 | 52.37 | 23.9  | 15.88 | 19.05 | 1 1/8 UNEF-2A    | 1-20 UNEF-2A      |
| 20                | 37.31 | 55.57 | 26.95 | 15.88 | 19.05 | 1 1/4-18 UNEF-2A | 1 3/16-18 UNEF-2A |
| 22                | 40.48 | 55.57 | 30.15 | 15.88 | 19.05 | 1 3/8-18 UNEF-2A | 1 3/16-18 UNEF-2A |
| 24                | 43.66 | 58.72 | 33.3  | 15.88 | 20.63 | 1 1/2-18 UNEF-2A | 1 7/16-18 UNEF-2A |
| 28                | 50.01 | 58.72 | 38.9  | 15.88 | 20.63 | 1 3/4-18 UNEF-2A | 1 7/16-18 UNEF-2A |