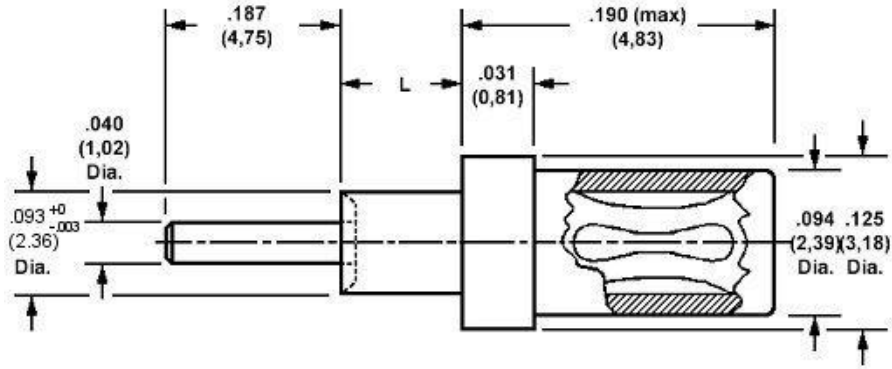


450-3310 Swage mount socket, stackable, .040 (1,02) diameter pin and socket

Recommended mounting hole .094 (2,39) +.002/-.001 (+0,05/-0,03) #42 drill



Min hole depth .190 (2,39)

How to order code

450-3310-YY-XX-00

Basic Part No YY = Board thickness XX = Finish

Dash No (YY)	'L'	Board Thickness
-01	.061 (1,57)	.031 (0,79)
-02	.094 (2,39)	.061 (1,57)
-03	.125 (3,18)	.094 (2,39)
-04	.156 (3,96)	.125 (3,18)

MATERIALS				
Component	Material	FINISH (XX)		
		03	04	06
Body	Brass	Gold over Nickel	Tin	Tin
Spring	Beryllium copper	Gold over Nickel	Tin	Gold over Nickel

TOOLING	
Anvil	435-6404-01-00-00
Punch	435-6683-01-00-00