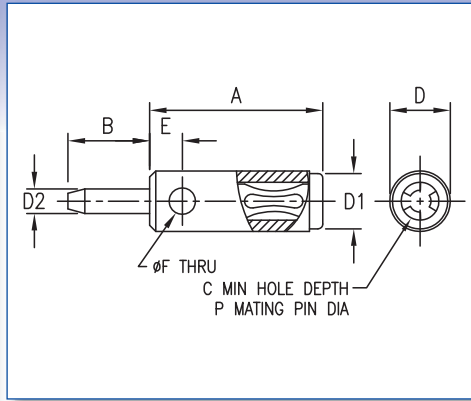


SINGLE POLE SOCKETS - STACKABLE

Dimensions in inches (mm)



How to order code

450 - XXXX - 01 - 03 - XX

Basic Part No. | Insulator Colour | Socket Finish

Material Code Table		
Component	Material	RoHS
Body	Brass	✓
Spring	Beryllium Copper (Heat Treated)	✓
Insulation	Polyolefin Plastic	✓

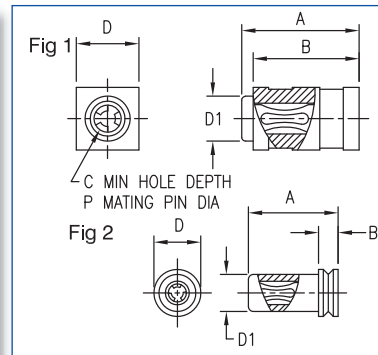
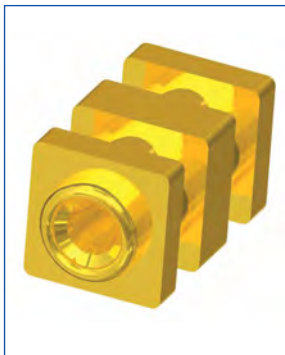
Finish Code Table			
Dash No.	Body Finish	Spring Finish	RoHS
-03	Gold over Nickel	Gold over Nickel	✓

Insulation Colour Code Table	
Dash No.	Colour
-00	None
-10	Black

Basic Part No.	A	B	P	C	D	D1	D2	E	F
450-3327 -01	.235 (5.97)	.125 (3.18)	.040 (1.02)	.190 (4.83)	.094 (2.39)	.090 (2.29)	.025 (0.64)	-	-
Also available with black polyolefin sleeve as 450-3289-01-03-10									
450-3278 -01	.425 (10.80)	.188 (4.78)	.080 (2.03)	.325 (8.26)	.156 (3.96)	.142 (3.61)	.040 (1.02)	-	-
Also available with black polyolefin sleeve as 450-3279-01-03-10									
450-3078 -01	.305 (7.75)	.125 (3.18)	.025 (0.64)	.144 (3.66)	.094 (2.39)	.074 (1.88)	.025 (0.64)	.053 (1.35)	.043 (1.09)
Also available with black polyolefin sleeve as 450-3390-01-03-10									
450-3302 -01	.323 (8.20)	.188 (4.78)	.040 (1.02)	.190 (4.83)	.094 (2.39)	.090 (2.29)	.040 (1.02)	.053 (1.35)	.043 (1.09)
Also available with black polyolefin sleeve as 450-3301-01-03-10									

SINGLE POLE SOCKETS - SURFACE MOUNT

Dimensions in inches (mm)



How to order code

450 - XXXX - 01 - XX - 00

Basic Part No. | Socket Finish

Material Code Table		
Component	Material	RoHS
Body	Brass	✓
Spring	Beryllium Copper (Heat Treated)	✓

Finish Code Table			
Dash No.	Body Finish	Spring Finish	RoHS
-03	Gold over Nickel	Gold over Nickel	✓
-06	Electro-Tin	Gold over Nickel	✓

Fig.	Basic Part No.	A	B	D	D1	C	P
1	450-8340 -01	.235 (5.97)	.212 (5.38)	.125 (3.18)	.090 (2.29)	.190 (4.83)	.040 (1.02)
2	450-8325 -01	.180 (4.57)	.040 (1.02)	.094 (2.39)	.074 (1.88)	.141 (3.58)	.025 (0.64)