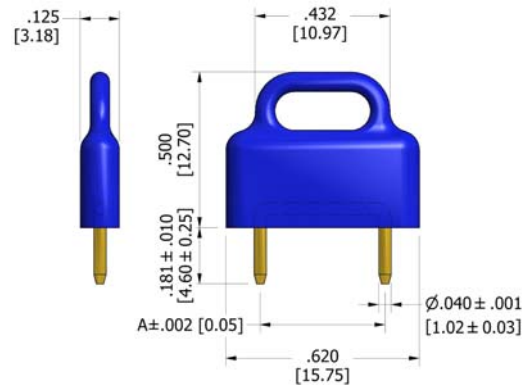


461-8119 Shorting Links, insulated, .040 (1,02) diameter pins

Non-Magnetic

(For non-insulated version see 360-8118)

(For smaller pitch between pins, see 461-8116)



How to order code

461-8119-XX-YY-ZZ

Basic Part No XX= A dimension, YY = Finish, ZZ = Colour

DIMENSIONS		
Basic Part No	Dash No (XX)	A Dimension
461-8119	-01	.200 (5,08)
	-02	.250 (6,35)

MATERIALS			
Component	Material	Finish (-03)	Finish (-04)
Pin	Brass, non-magnetic	Gold 0.75um over Copper	Electro-Tin over Copper
Insulator	Polypropylene	Select colour (see below)	

COLOUR (ZZ)		
-10	-12	-16
Black	Red	Blue

Dimensions in inches [mm]

Tolerance unless otherwise stated ±.010 [0.25]