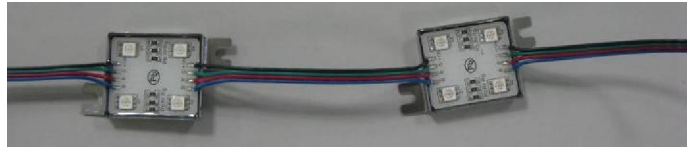


ATTENTION
OBSERVE PRECAUTIONS
FOR HANDLING
ELECTROSTATIC
DISCHARGE
SENSITIVE
DEVICES

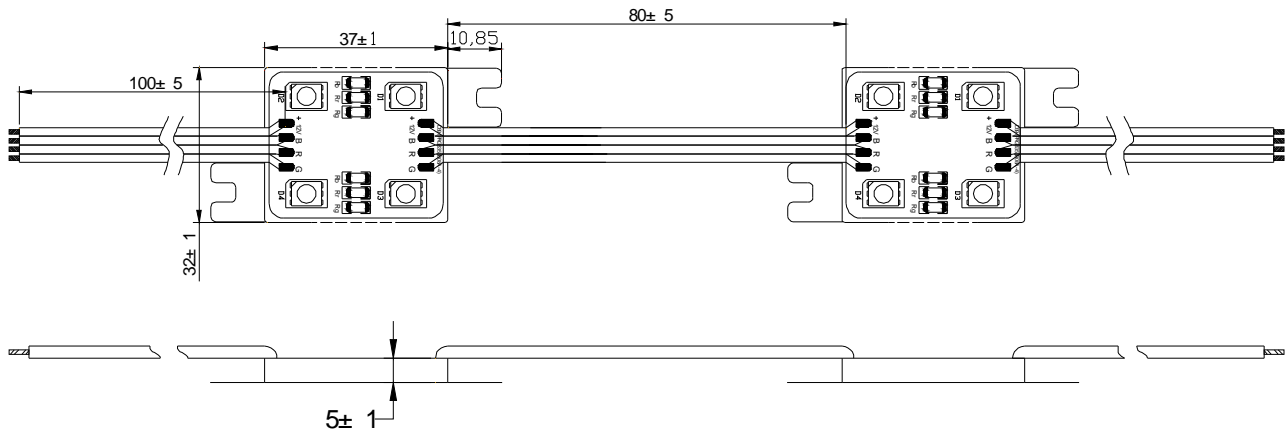
LD-5060RGB4D39C2-12-G (RGB)



Features

- 37MMX32MM WATERPROOF LED MODULES (4-LED) .
- MODULE THICKNESS : 5MM.
- WORKING VOLTAGE : 12V DC.
- WORKING CURRENT: 84MA.
- LED VIEW ANGLE(2 1/2):80 ° .
- PACKAGE: 50PCS /LAYER. 50PCS Each string

Package Dimensions



Notes:

1. All dimension units are millimeters.
2. In the process of installation and use is not the weight of the LED or damage LED.



Absolute Maximum Rating at TA=25

Parameter	Symbol	Absolute Maximum Rating	Unit
Forward Current	IF	84	mA
Power Dissipation	PD	1.1	W
Electrostatic discharge	ESD	800	V
Operating Temperature	Topr	-25 +60	
Storage Temperature	Tstg	-40 +80	

Electrical / Optical Characteristics at TA=25

Parameter	Symbol	Color	Condition	Min	Typ	Max	Unit
Forward Voltage DC	VF	RGB	IF=84mA	--	12	--	V
Dominant Wavelength	D	R	IF=28mA	615	--	628	nm
		G	IF=28mA	515	--	525	
		B	IF=28mA	470	--	475	
Luminous flux	V	R	IF=28mA	8	--	8.5	lm
		G	IF=28mA	12	--	13	
		B	IF=28mA	8	--	8.5	
Recommend Forward Current	IF(rec)	--	--	--	84	--	mA

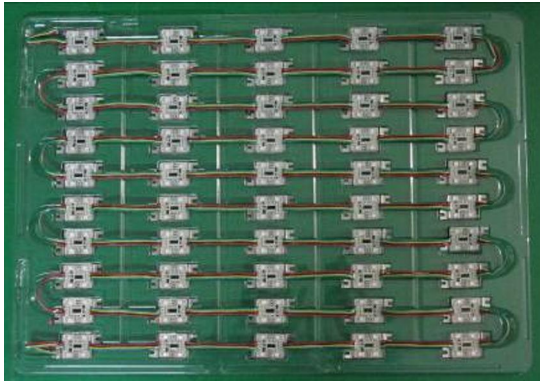
Notes:Tolerance of measurement of luminous intensity±15%.

Product can't expose in the outdoors use

The above figures for the sample data,only for reference!



Package means



APPLICATIONS

- SLIM DESIGN FOR NARROW AND COMPACT LED SIGNAGES.
- WATERPROOF FOR OUTDOOR ADVERTISING SIGNS CHANNEL-LETTER ,
EFFECTIVE CONTOURING , OUTDOOR WATERPROOF LED LIGHTING PROJECTS , ETC.