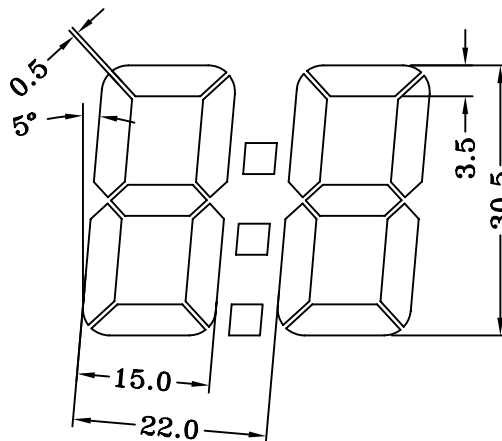




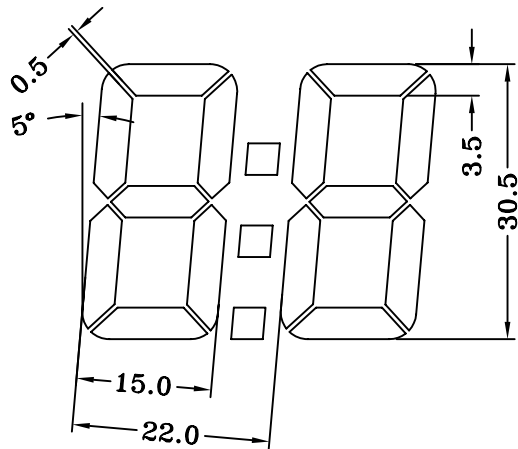
NOTE



- 1 TOLERANCES UNLESS OTHERWISE SPECIFIED: ± 0.25
- 2 ALL DIMENSIONS ARE IN mm
- 3 VIEWING ANGLE: 6 O'CLOCK
- 4 POLARIZER: TRANSMISSIVE/POSITIVE
- 5 DRIVE METHOD: STATIC
- 6 LCD DRIVING VOLTAGE: 5.0V
- 7 OPERATING TEMP.: $-20^{\circ}\text{C} \sim 70^{\circ}\text{C}$
STORAGE TEMP.: $-30^{\circ}\text{C} \sim 80^{\circ}\text{C}$
- 8 DISPLAY TYPE: TN
- 9 CONNECTOR: PIN
- 10 GLASS THICKNESS: FRONT:1.1 BACK:1.1



 DKE 东方科脉 液晶显示器专业制造商 / LCD Experienced Manufacturer			
DESIGN MODEL		DKE825YT	
VAR.	A	DATE	2007.04.03
CUSTOMER MODEL		APPROVED BY	SY ZHAO
		CHECKED BY	QI HC
PAGE 1/1		DRAWN BY	WANG LIJING

PIN	1	2	3	4	5	6	7	8	9	10	11	12	13	14
COM	COM		E1		D1		C1		\		E2		D2	
PIN	15	16	17	18	19	20	21	22	23	24	25	26	27	28
COM	C2		DP2		E3		D3		C3		DP3		E4	
PIN	29	30	31	32	33	34	35	36	37	38	39	40	41	42
COM	D4		C4		DP4		E5		D5		C5		DP5	
PIN	43	44	45	46	47	48	49	50	51	52	53	54	55	56
COM	E6		D6		C6		B6		A6		F6		G6	
PIN	57	58	59	60	61	62	63	64	65	66	67	68	69	70
COM	B5		A5		F5		G5		COL2		B4		A4	
PIN	71	72	73	74	75	76	77	88	79	80	81	82	83	84
COM	F4		G4		B3		A3		F3		G3		COL1	
PIN	85	86	87	88	89	90	91	92	93	94	95	96	97	98
COM	B2		A2		F2		G2		B1		A1		F1	
PIN	99	100												
COM	G1													



 DKE 东方科脉 <small>液晶显示器专业制造商 / LCD Experienced Manufacturer</small>			
DESIGN MODEL		DKE825YT	
VAR.	A	DATE	2007.04.03
CUSTOMER MODEL		APPROVED BY	SY ZHAO
		CHECKED BY	QI HC
PAGE	1/1		DRAWN BY WANG LIJING