

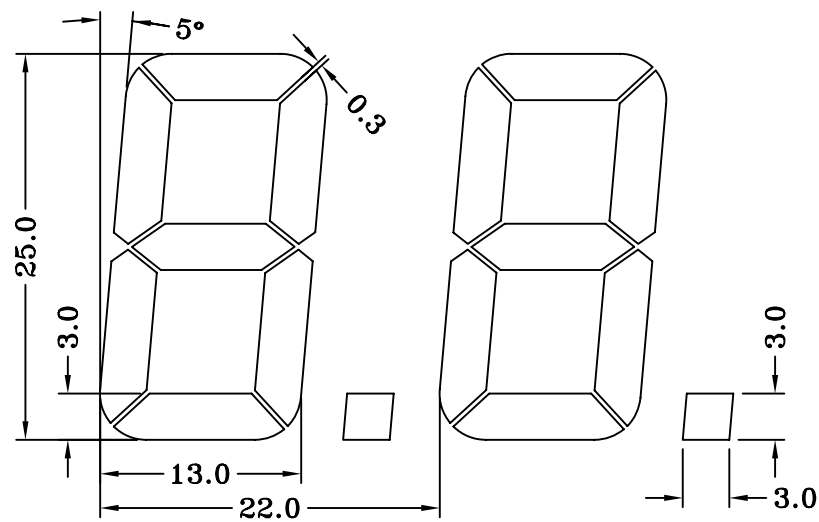
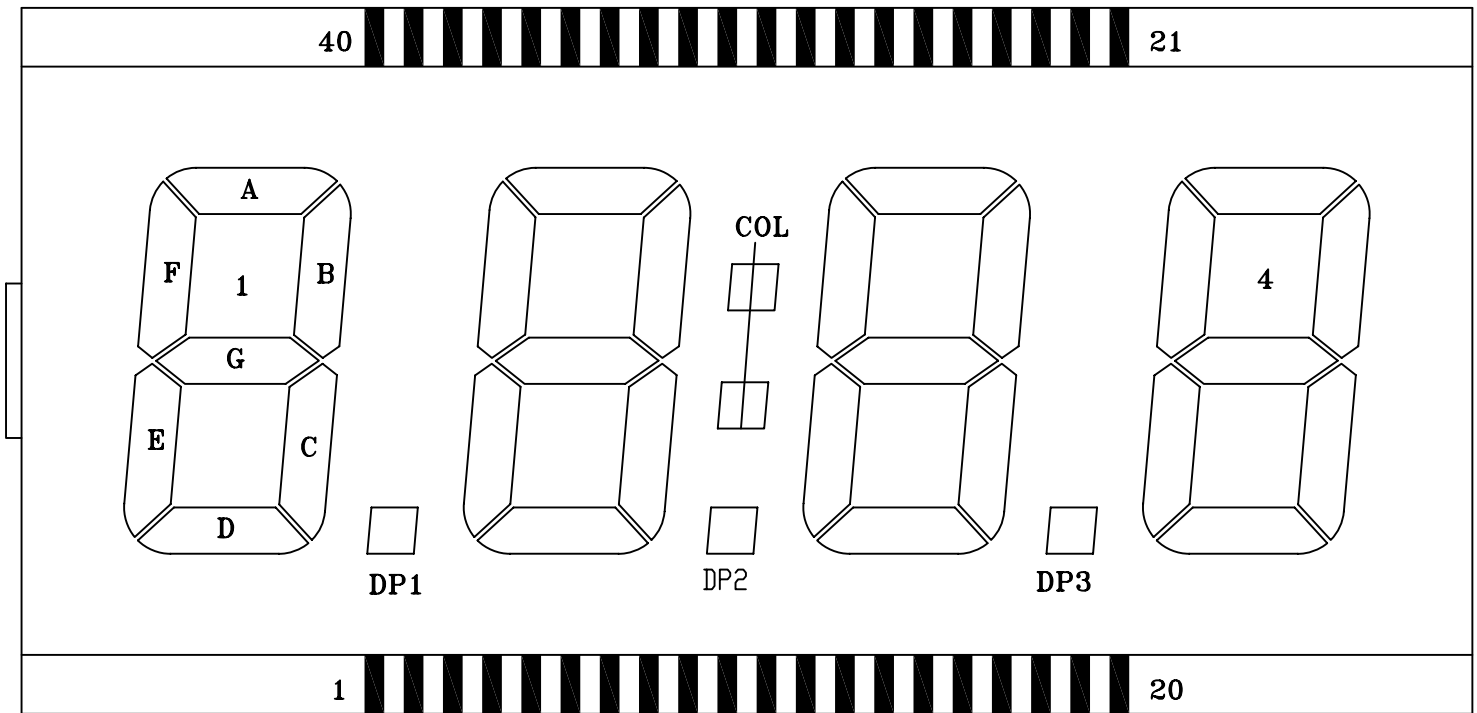




NOTE:

- | | |
|--|---|
| <p>1 TOLERANCES UNLESS OTHERWISE SPECIFIED: 0.20</p> <p>2 ALL DIMENSION ARE IN mm</p> <p>3 GLASS THICKNESS:
FRONT --1.1
BACK --1.1</p> <p>4 VIEWING ANGLE: 6 O'CLOCK</p> | <p>5 POLARIZER: TRANSMISSIVE/POSITIVE</p> <p>6 FLUID SPECIFICATION:
MULTIPLEX LEVEL -- STATIC
DRIVING VOLTAGE (TOP) -- 5.0V
OPERATING TEMPERATURE: -30°C TO 80°C
STORAGE TEMPERATURE: -40°C TO 90°C</p> |
|--|---|

 DKE 东方科脉 <small>液晶显示器专业制造商/LCD Experienced Manufacturer</small>			
DESIGN MODEL		DKE816YT	
VAR.	A	DATE	2006.12.25
CUSTOMER MODEL		APPROVED BY	
		CHECKED BY	
PAGE 1/2		DRAWN BY	QI HE CHUN

PIN	
1	COM
2	
3	
4	
5	1E
6	1D
7	1C
8	DP1
9	2E
10	2D
11	2C
12	DP2
13	3E
14	3D
15	3C
16	DP3
17	4E
18	4D
19	4C
20	4B
21	4A
22	4F
23	4G
24	3B
25	3A
26	3F
27	3G
28	COL
29	2B
30	2A
31	2F
32	2G
33	
34	1B
35	1A
36	1F
37	1G
38	
39	
40	COM



 DKE 东方科脉 液晶显示器专业制造商 / LCD Experienced Manufacturer			
DESIGN MODEL		DKE816YT	
VAR.	A	DATE	2006.12.25
CUSTOMER MODEL		APPROVED BY	
		CHECKED BY	
PAGE 2/2		DRAWN BY	QI HE CHUN