
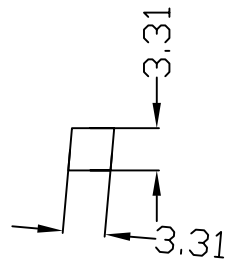
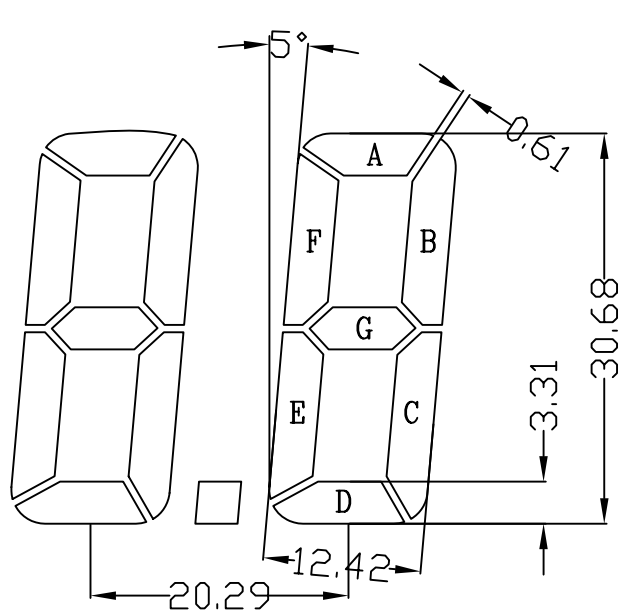


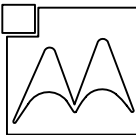
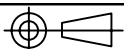
NOTES:

- | | |
|---|------------------------|
| 1. DISPLAY TYPE: | TN |
| 2. OPERATING TEMP.: | -30°C TO +80°C |
| STORAGE TEMP.: | -35°C TO +85°C |
| 3. VIEWING ANGLE: | 6:00 O'CLOCK |
| 4. OPERATING VOLTAGE: | 5.0V |
| 5. DRIVE METHOD: | STATIC |
| 6. POLARIZER TYPE: | TRANSMISSIVE, POSITIVE |
| 7. CONNECTOR: | PIN |
| 8. TOLERANCES UNLESS OTHERWISE SPECIFIED: | ±0.2 |

 DKE 东方科脉 液晶显示器专业制造商 / LCDExperienced Manufacturer			
DESIGN MODEL		DKE0160	
REV.	A	DATE	2008.05.16
CUSTOMER MODEL		APPROVED BY	SY ZHAO
		CHECKED BY	WU BO
PAGE	1/2	DRAWN BY	WANG LIJING

PIN	1	2	3	4	5	6	7	8	9	10	11	12	13	14	15	16	17	18	19	20	21	22	23	24	25	26	27	28	29	30	31
COM1	COM1	COM1	1A	1F	1E	1D	1C	1G	1B	2A	2F	2E	2D	2C	2G	2B	3A	3F	3E	3D	3C	3G	3B	4A	4F	4E	4D	4C	4G	4B	4P
PIN	32	33	34	35	36	37	38	39	40	41	42	43	44	45	46	47	48	49	50	51	52	53	54	55	56	57	58	59	60	61	62
COM1	5A	5F	5E	5D	5C	5G	5B	5P	6A	6F	6E	6D	6C	6G	6B	6P	7A	7F	7E	7D	7C	7G	7B	COM1	T1	8D	8E	8F	8A	8B	8G
PIN	63	64	65	66	67	68	69	70	71	72	73	74	75	76	77	78	79	80	81	82	83	84	85	86	87	88	89	90	91	92	93
COM1	8C	9D	9E	9F	9A	9B	9G	9C	10D	10E	10F	10A	10B	10G	10C	11D	11E	11F	11A	11B	11G	11C	11P	12D	12E	12F	12A	12B	12G	12C	12P
PIN	94	95	96	97	98	99	100	101	102	103	104	105	106	107	108																
COM1	13D	13E	13F	13A	13B	13G	13C	13P	14D	14E	14F	14A	14B	14G	14C																



 DKIE 东方科脉 液晶显示器专业制造商 / LCDExperienced Manufacturer			
DESIGN MODEL		DKE0160	
REV.	A	DATE	2008.05.19
CUSTOMER MODEL		APPROVED BY	SY ZHAO
		CHECKED BY	WU BO
PAGE	2/2		DRAWN BY
		DRAWN BY	WANG LIJING