

# ALUMINUM ELECTROLYTIC CAPACITOR

## CD70H

### FEATURES

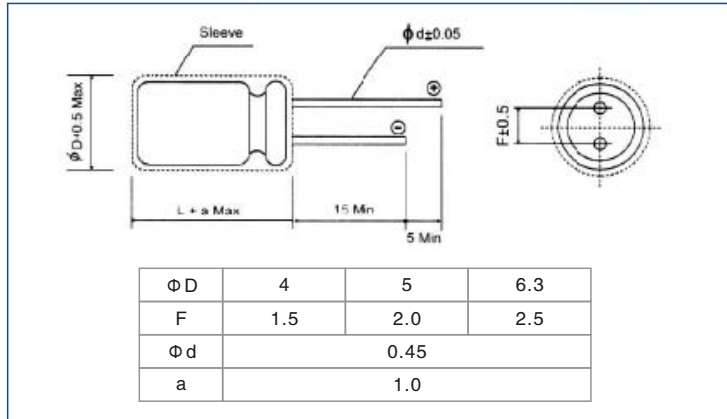
- Load life of 1000 hours at 105°C
- 7mm products
- VTR, digital cameras, car radios, micro cassette tape recorder etc



### SPECIFICATIONS

ITEMS	PERFORMANCE CHARACTERISTICS						
Operating Temperature Range(°C)	-55~+105						
Capacitance Tolerance(25°C, 120Hz)	± 20%						
Leakage Current(μ F)	0.01CV or 3μ A whichever is greater, (at 25°C, after 2 minutes) C: Nominal Capacitance(μ F) V: Rated Voltage(V)						
Dissipation Factor(25°C, 120Hz)	Rated Voltage (V)	6.3	10	16	25	35	50
	Tan δ	0.22	0.19	0.16	0.14	0.12	0.10
Temperature Stability(120Hz)	Rated Voltage (V)	6.3	10	16	25	35	50
	Impedance	Z-25°C/Z+20°C		3		2	
	Ratio	Z-40°C/Z+20°C		8	5	4	3
Load Life(+105°C)	Time	1000 hours					
	Leakage current	Not more than the specified value.					
	Capacitance change	Within ± 20% of initial value					
	Dissipation factor	Not more than 200% of the specified value.					
Shelf Life(+85°C)	500hours. No Voltage applied. After test: UR to be applied for 30 minutes, 24 to 48 hours before measurement.						

### DIMENSIONS



### mm MULTIPLIER FOR RIPPLE CURRENT

Frequency coefficient				
Rated voltage(v)	Freq(Hz)			
	50,60	120	1K	10K~100K
6.3 ~ 16	0.68	0.72	0.92	1.0
25 ~ 35	0.48	0.63	0.80	1.0
50	0.45	0.50	0.70	1.0

Temperature coefficient			
Temperature (°C)	+70	+85	+105
Factor	2.10	1.80	1

### STANDARD RATINGS

Cap/μ F	WV/V	6.3		10		16		25		35		50	
		Size(mm)	Ripple	Size(mm)	Ripple	Size(mm)	Ripple	Size(mm)	Ripple	Size(mm)	Ripple	Size(mm)	Ripple
		Φ DxL	mArms	Φ DxL	mArms	Φ DxL	mArms	Φ DxL	mArms	Φ DxL	mArms	Φ DxL	mArms
0.1	--	--	--	--	--	--	--	--	--	--	--	4X7	6
0.22	--	--	--	--	--	--	--	--	--	--	--	4X7	8
0.33	--	--	--	--	--	--	--	--	--	--	--	4X7	10
0.47	--	--	--	--	--	--	--	--	--	--	--	4X7	12
1	--	--	--	--	--	--	--	--	--	--	--	4X7	16
2.2	--	--	--	--	--	--	--	--	--	--	--	4X7	25
3.3	--	--	--	--	--	--	--	4X7	21	4X7	23	4X7	28
4.4	--	--	--	--	--	--	--	4X7	25	4X7	25	4X7	48
10	--	--	--	--	--	4x7	39	5X7	47	5X7	48	6.3X7	75
22	--	4X7	42	5x7	49	5X7	54	6.3X7	87	6.3X7	90	--	--
33	--	5X7	53	5x7	60	6.3X7	83	6.3X7	90	--	--	--	--
47	--	5X7	64	6.3x7	95	6.3X7	95	--	--	--	--	--	--
100	--	6.3X7	96	--	--	--	--	--	--	--	--	--	--

Ripple Current: 105°C, 100KHz