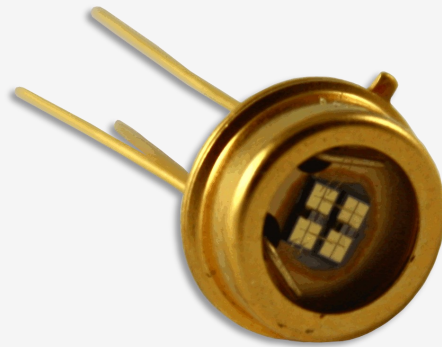




High Power UVCLEAN[®] Lamps (1-3mW)

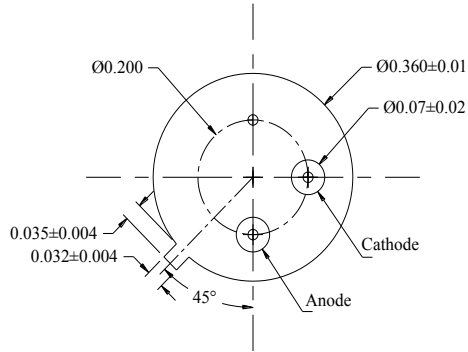


UVCLEAN[®] lamps are multi-chip arrays of UV LEDs enclosed in metal glass packages. Standard lamps are available in a selection of wavelengths from 255nm to 350nm and offer higher output powers than UVTOP[®] LEDs.

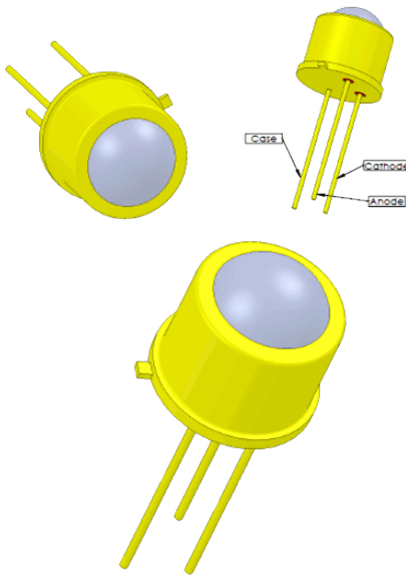
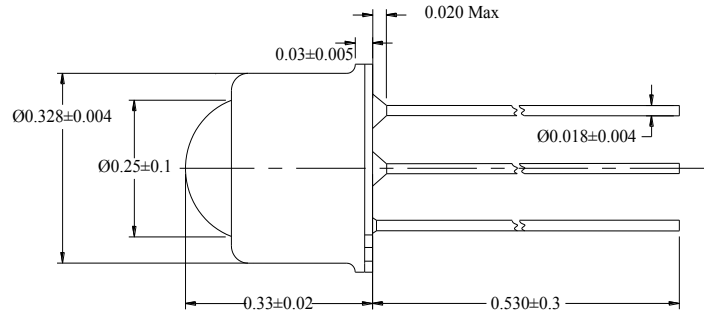
The 1-3mW UVCLEAN[®] lamp maintains the small footprint of the T0-39 package with higher power options. It is available with either a flat window or hemispherical lens for beam shaping.

TO39 with Hemispherical Lens

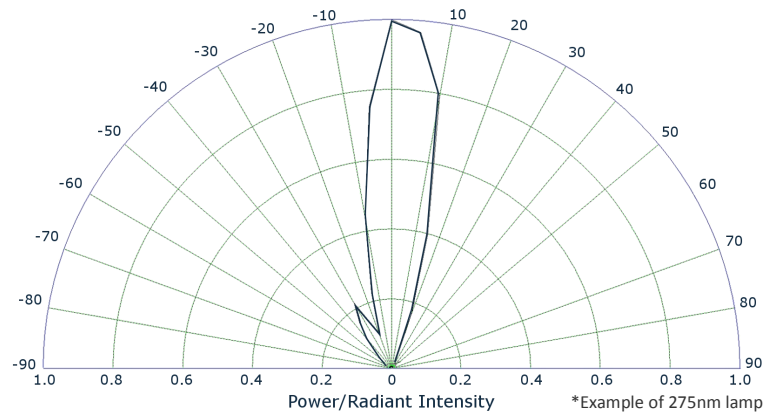
Top View



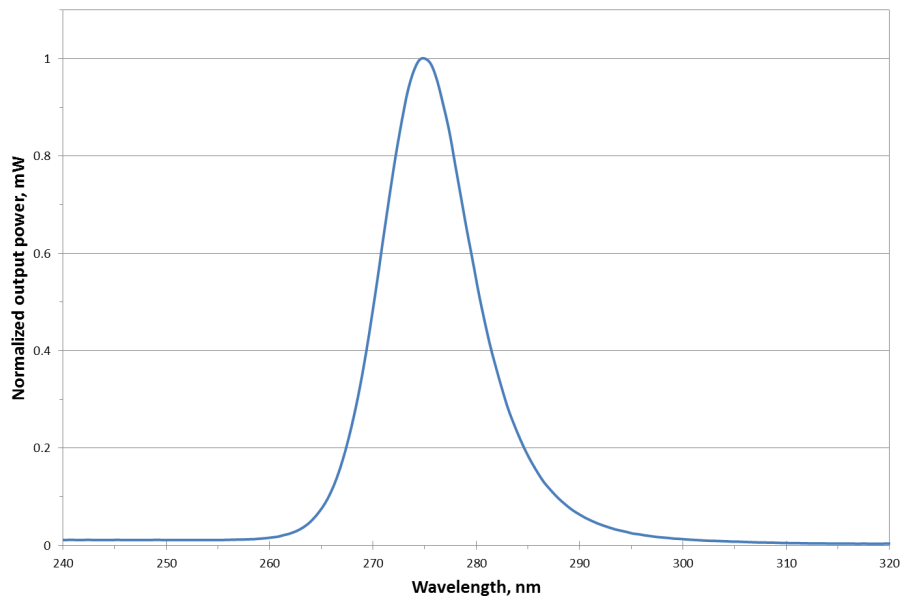
Side View



Hemispherical Lens Typical Angular Diagram

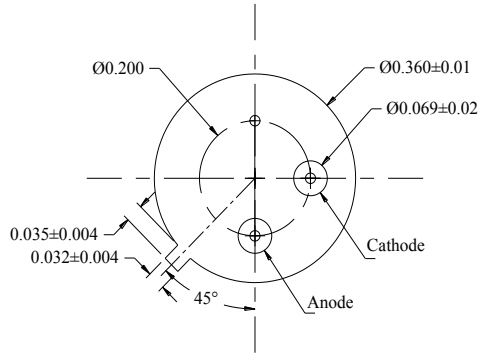


Spectral Data, 275nm, 1-3mW

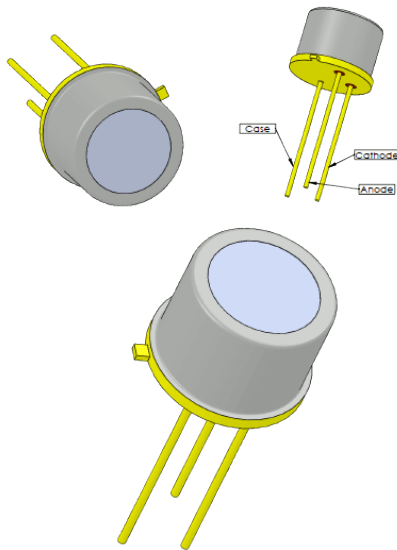
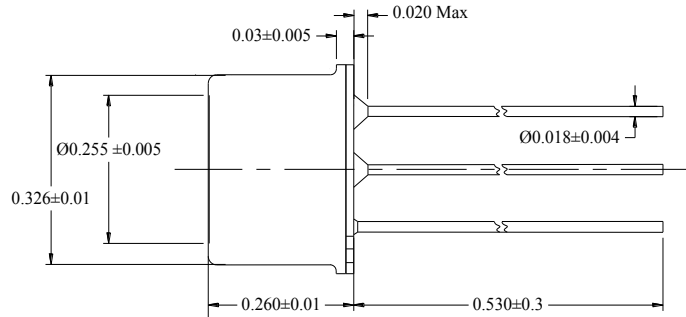


TO39 with Tall Flat Window

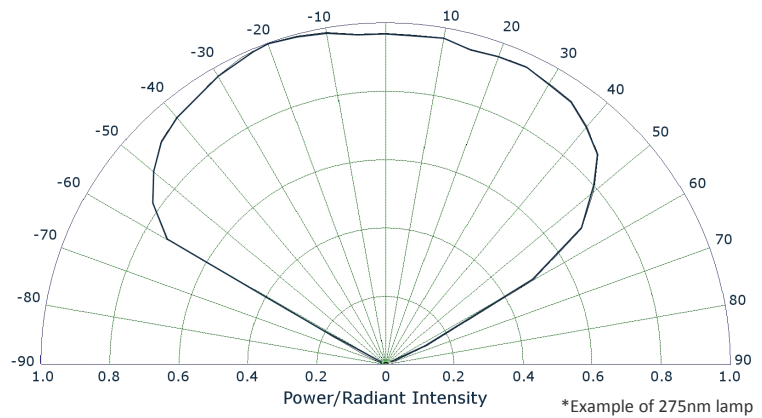
Top View



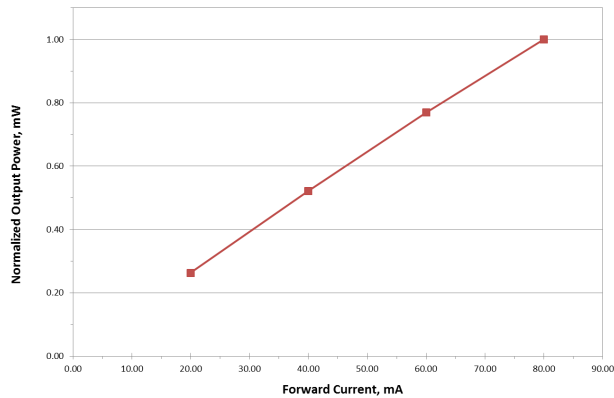
Side View



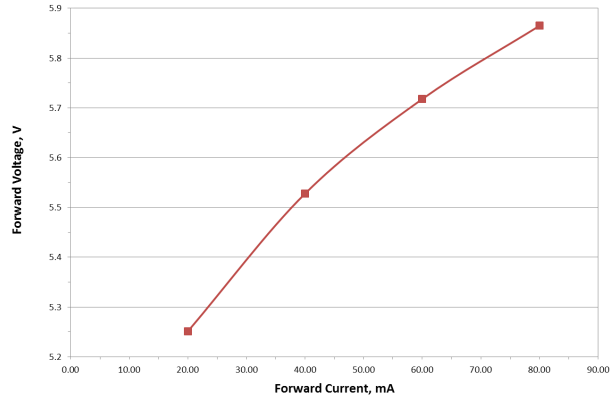
Flat Window Typical Angular Diagram



275nm L-I Curve; 1-3mW



275nm I-V Curve; 1-3mW



High Power UVCLEAN[®] Lamps (1-3mW)

Part Number	Typ Peak Wavelength (nm)	Tolerance	Typ. Optical Power P_{out} (μ W)	Package	Window Type	Typical** (I_f)	Typ FWHM (\pm 3nm)
						I_f	
UVCLEAN255FW-3	255	\pm 5nm	1-3mW	TO-39	Flat Window	80mA	12
UVCLEAN255HS-3	255	\pm 5nm	1-3mW	TO-39	Hemispherical	80mA	12
UVCLEAN265FW-3	265	\pm 5nm	1-3mW	TO-39	Flat Window	80mA	12
UVCLEAN265HS-3	265	\pm 5nm	1-3mW	TO-39	Hemispherical	80mA	12
UVCLEAN275FW-3	275	-5nm	1-3mW	TO-39	Flat Window	80mA	12
UVCLEAN275HS-3	275	-5nm	1-3mW	TO-39	Hemispherical	80mA	12
UVCLEAN280FW-3	280	\pm 5nm	1-3mW	TO-39	Flat Window	80mA	12
UVCLEAN280HS-3	280	\pm 5nm	1-3mW	TO-39	Hemispherical	80mA	12
UVCLEAN290FW-3	290	\pm 5nm	1-3mW	TO-39	Flat Window	80mA	12
UVCLEAN290HS-3	290	\pm 5nm	1-3mW	TO-39	Hemispherical	80mA	12
UVCLEAN300FW-3	300	\pm 5nm	1-3mW	TO-39	Flat Window	80mA	12
UVCLEAN300HS-3	300	\pm 5nm	1-3mW	TO-39	Hemispherical	80mA	12
UVCLEAN315FW-3	315	\pm 5nm	1-3mW	TO-39	Flat Window	80mA	12
UVCLEAN315HS-3	315	\pm 5nm	1-3mW	TO-39	Hemispherical	80mA	12
UVCLEAN330FW-3	330	\pm 10nm	1-3mW	TO-39	Flat Window	80mA	12
UVCLEAN330HS-3	330	\pm 10nm	1-3mW	TO-39	Hemispherical	80mA	12
UVCLEAN350FW-3	350	\pm 10nm	1-3mW	TO-39	Flat Window	80mA	12
UVCLEAN350HS-3	350	\pm 10nm	1-3mW	TO-39	Hemispherical	80mA	12

*Typical values ONLY not guaranteed specifications

**Max dissipated power not to exceed 200mW without thermal management

Standard circuit configuration shown: custom configurations available upon request.

