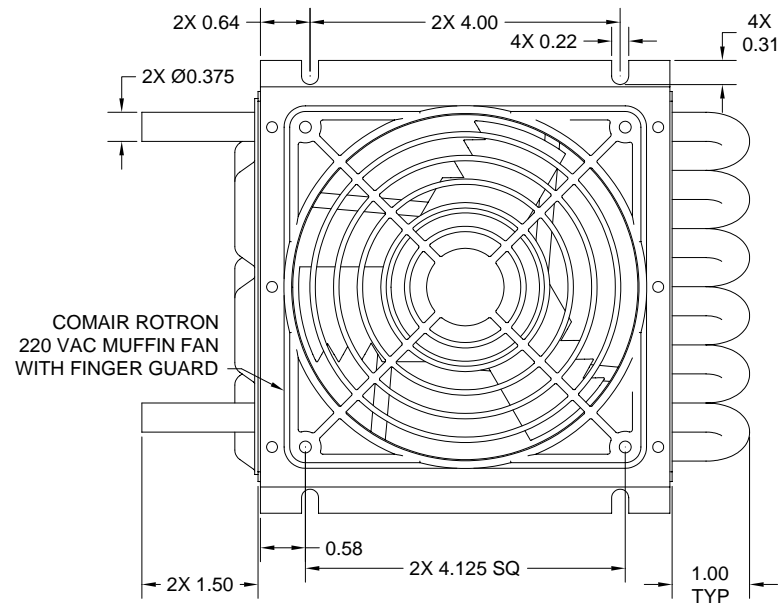
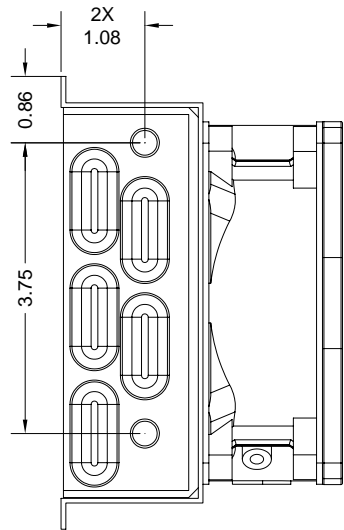


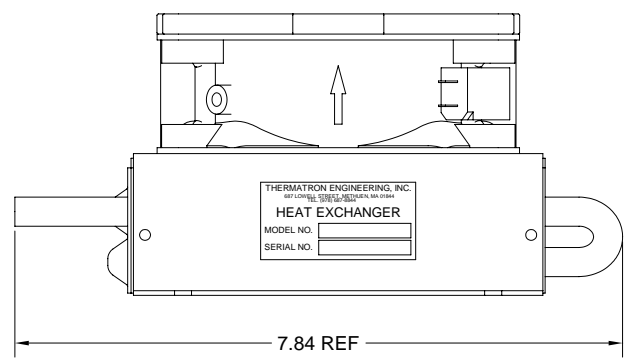
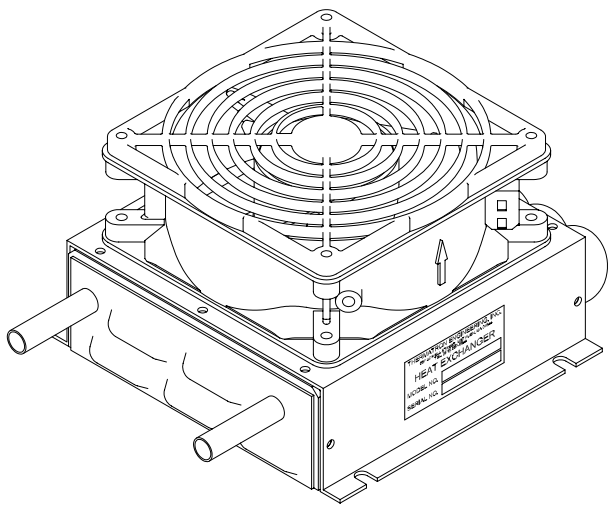
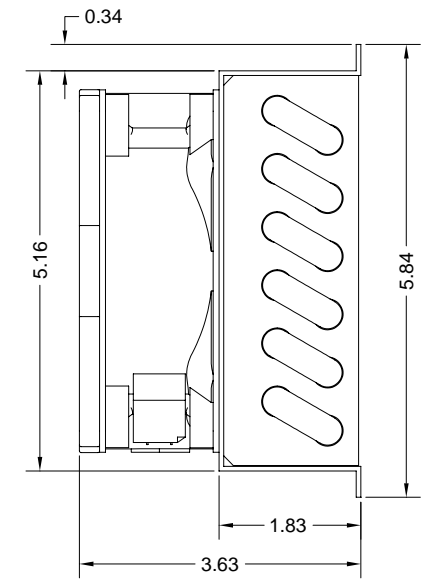
REVISIONS				
ZONE	REV	DESCRIPTION	DATE	APPROVED
	A	RELEASED	05/15/2000	B. RABBITT

D
C
B
A

D
C
B
A



COMAIR ROTRON
220 VAC MUFFIN FAN
WITH FINGER GUARD



- NOTES:
1. FRAME FINISH GOLD IRRIDITE PER. MIL-C-5441
 2. WELD PER A8381
 3. PRESSURE TEST 150 PSI N2 UNDER WATER
 4. BRIGHTEN FINS PRIOR TO FRAME ASS'Y PER. TEP 101-06
 5. INTERNAL FLUSH AND TUBE TREAT PER. TEP 101-07
 6. APPLY LABEL AS SHOWN , MARK DATE CODE

CONFIDENTIAL INFORMATION THIS DRAWING CONTAINS INFORMATION THAT IS RESTRICTED. USE OF THE INFORMATION CONTAINED HEREIN WITHOUT THE EXPRESS CONSENT OF THERMATRON ENGINEERING IS STRICTLY PROHIBITED.	DRAWN BY: J. RUBITSKI	DATE: 05/15/2000	THERMATRON ENGINEERING Inc. 387 LOWELL STREET, MATHESON MA 01844 * PHONE: (978) 677-9844 FAX: (978) 678-0844 E-Mail: INFO@THERMATRONENG.COM * Web Site: HTTP://WWW.THERMATRONENG.COM		
	CHECKED BY: B. RABBITT	DATE: 05/15/2000	TITLE: HEAT EXCHANGER		
	APPROVED BY: B. RABBITT	DATE: 05/15/2000	CODE INCH. No.: 1GQ06	DRAWING No.: 730SLM2	DRAWING SIZE: C
	REFERENCE No.	SEE NOTES UNLESS OTHERWISE SPECIFIED, DIMENSIONS ARE IN INCHES.	THIRD ANGLE PROJECTION	SCALE: 1:1 SHEET: 1 OF 1	
NEXT ASSEMBLY.	TOLERANCE DECIMALS: .XX ± 0.015 XXX ± 0.010 ANGLES: ± 1/2				

4
3
2
1

4
3
2
1

4
3
2
1

4
3
2
1