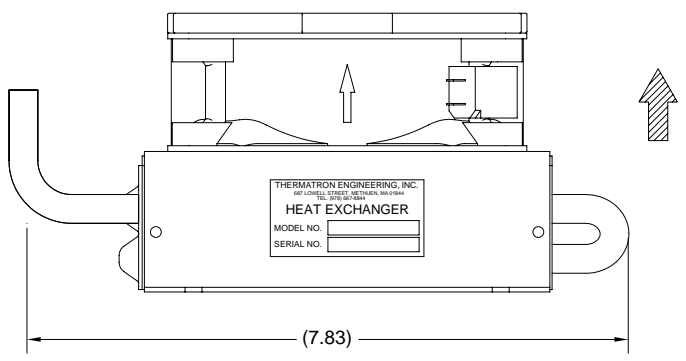
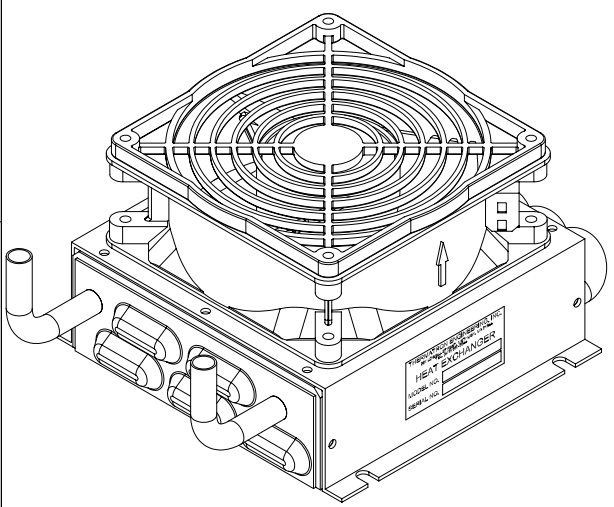
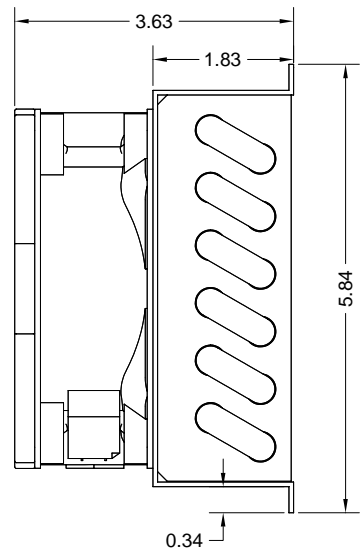
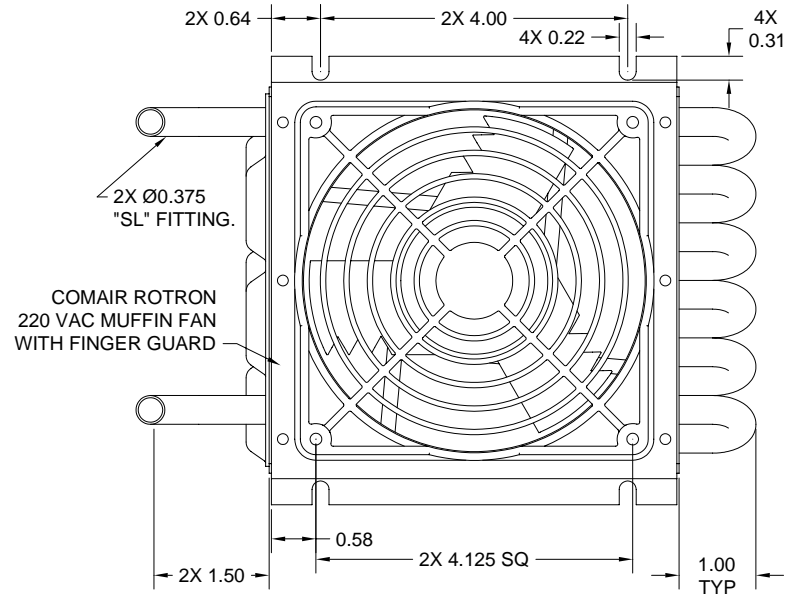
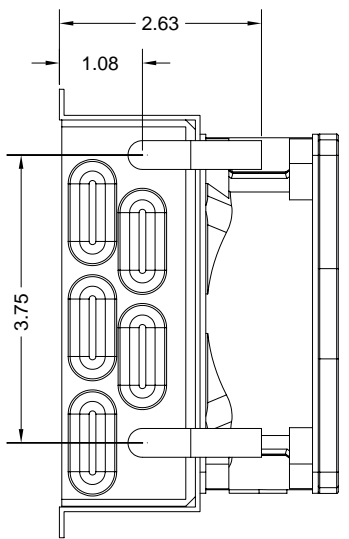


REVISIONS				
ZONE	REV	DESCRIPTION	DATE	APPROVED
	A	UPDATED--NO CHANGE	05/15/2000	B. RABBITT

D  
C  
B  
A

D  
C  
B  
A



- NOTES:
1. FRAME FINISH GOLD IRRIDITE PER. MIL-C-5441
  2. WELD PER A8381
  3. PRESSURE TEST 150 PSI N2 UNDER WATER
  4. BRIGHTEN FINS PRIOR TO FRAME ASS'Y PER. TEP 101-06
  5. INTERNAL FLUSH AND TUBE TREAT PER. TEP 101-07
  6. APPLY LABEL AS SHOWN , MARK DATE CODE

<b>CONFIDENTIAL INFORMATION</b>	DRAWN BY: J. RUBITSKI	DATE: 05/15/2000	<b>THERMATRON ENGINEERING Inc.</b> 687 LOWELL STREET, METHUEN MA 01844 * PHONE: (978)-687-8844 FAX: (978)-687-8844 E-MAIL: RFP@THERMATRONENGL.COM * Web Site: HTTP://WWW.THERMATRONENGL.COM
	CHECKED BY: B. RABBITT	DATE: 05/15/2000	
	APPROVED BY: B. RABBITT	DATE: 05/15/2000	
	MATERIAL: CU FIN. 316L TUBE FINISH: SEE NOTES		
THIS DRAWING CONTAINS INFORMATION THAT IS RESTRICTED. USE OF THE INFORMATION CONTAINED HEREIN WITHOUT THE EXPRESS CONSENT OF THERMATRON ENGINEERING IS STRICTLY PROHIBITED.			TITLE: HEAT EXCHANGER
REFERENCE No.	TOLERANCE ARE IN INCHES.	UNLESS OTHERWISE SPECIFIED, DIMENSIONS ARE IN INCHES.	CODE INDENT. No. 1GQ06
NEXT ASSEMBLY:	DECIMALS: .XX ± 0.015	ANGLES: .XXX ± 0.010 ± 1/2	DRAWING No. 730TLM2
			DRAWING SIZE: C
			SCALE: 1:1
			SHEET: 1 OF 1

4 | 3 | 2 | 1

4 | 3 | 2 | 1