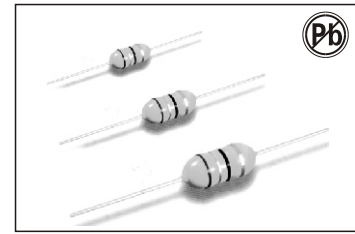


# THROUGH-HOLE AXIAL CONFORMAL COATED INDUCTORS

## LGA-0204 SERIES



### FEATURES:

- Magnetic Core
- Wire-wound construction
- Heat resistant epoxy resin
- High reliability、 Ideal for automatic insertion
- Small size 、 Low Cost

### OPTIONS:

- Packaging: Tape & Reel is Standard (Qty: 5000 pcs)  
Bulk packaging available for smaller quantities
- Tolerance: 10% is standard, tighter tolerances available.

### COMMON APPLICATIONS:

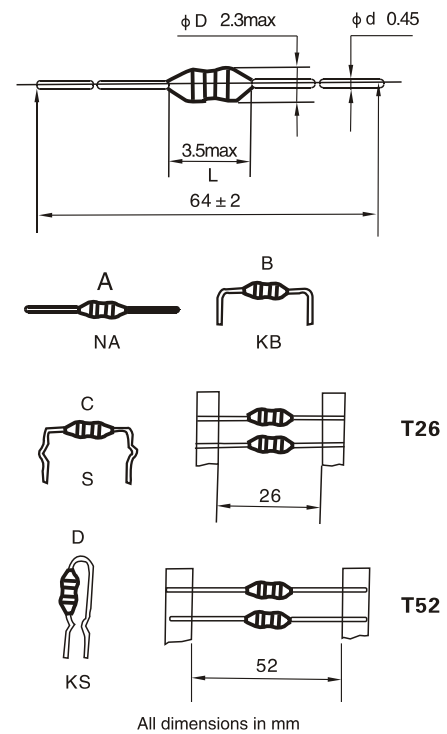
- VCRs
- Automotive Systems
- Computer Peripheral Equipment
- Televisions
- Electronic Games
- Mobile Communications Equipment
- General Electronic Applications

### STANDARD SPECIFICATIONS

Part Number	L (μH)	Tol ±%	Q min	L Test Freq (MHz)	S.R.F (MHz)	R <sub>dc</sub> (Ω) Max	I <sub>dc</sub> (mA)
LAG0204-R22K	0.22	20	35	25.2	150	0.40	400
LAG0204-R27K	0.27	20	35	25.2	150	0.43	380
LAG0204-R33K	0.33	20	35	25.2	150	0.48	370
LAG0204-R39K	0.39	20	35	25.2	150	0.51	350
LAG0204-R47K	0.47	20	35	25.2	150	0.56	330
LAG0204-R56K	0.56	20	35	25.2	150	0.61	320
LAG0204-R68K	0.68	20	35	25.2	150	0.67	310
LAG0204-R82K	0.82	20	35	25.2	150	0.74	290
LAG0204-1R0K	1.0	20	35	25.2	150	0.80	270
LAG0204-1R2K	1.2	20	40	7.96	110	0.90	260
LAG0204-1R5K	1.5	20	40	7.96	80	1.0	250
LAG0204-1R8K	1.8	20	40	7.96	60	1.1	240
LAG0204-2R2K	2.2	20	40	7.96	45	1.2	230
LAG0204-2R7K	2.7	20	40	7.96	40	1.3	220
LAG0204-3R3K	3.3	10	40	7.96	38	1.4	210
LAG0204-3R9K	3.9	10	40	7.96	35	1.5	200
LAG0204-4R7K	4.7	10	40	7.96	32	1.6	190
LAG0204-5R6K	5.6	10	40	7.96	30	1.7	180
LAG0204-6R8K	6.8	10	40	7.96	28	1.9	175
LAG0204-8R2K	8.2	10	40	7.96	26	2.0	165
LAG0204-100K	10	10	40	7.96	24	2.2	160
LAG0204-120K	12	10	40	25.2	22	2.5	150
LAG0204-150K	15	10	40	25.2	20	2.8	145
LAG0204-180K	18	10	40	25.2	18	3.1	140
LAG0204-220K	22	10	40	25.2	17	3.4	130
LAG0204-270K	27	10	40	25.2	16	4.3	80
LAG0204-330K	33	10	40	25.2	14	4.7	76
LAG0204-390K	39	10	40	25.2	13	5.2	74
LAG0204-470K	47	10	40	25.2	12	5.8	70
LAG0204-560K	56	10	40	25.2	11	6.4	68
LAG0204-680K	68	10	40	25.2	10	7.2	64
LAG0204-820K	82	10	40	25.2	9.5	11	46
LAG0204-101K	100	10	40	25.2	9	12	44
LAG0204-121K	120	10	40	0.796	8	13	42
LAG0204-151K	150	10	40	0.796	6	16	39
LAG0204-181K	180	10	40	0.796	5.5	18	37
LAG0204-221K	220	10	40	0.796	5	20	35
LAG0204-271K	220	10	40	0.796	4.6	26	28
LAG0204-331K	220	10	40	0.796	4.2	30	26
LAG0204-391K	220	10	40	0.796	3.8	34	25
LAG0204-471K	220	10	40	0.796	3.5	38	24

Note: 1. K = ± 10%, M = ± 20%

### PHYSICAL CHARACTERISTICS



All dimensions in mm

### TECHNICAL INFORMATION:

#### 1、 Ordering Code

LGA 04 10 KB - 101 K T52  
(1) (2) (3) (4) (5) (6) (7)

- (1) Type
- (2) Outside
- (3) Body Length
- (4) Formed Type
- (5) Nominal Inductance
- (6) Inductance Tolerance
- (7) Tape Type

• Testing: (Equivalent acceptable)

Inductance—Hp 4285A  
RDC: QuadTech 1880 Milliohmmer  
Q—HP 4342A  
SRF—HP 4191A

- IDC Max: The maximum DC value having inductance decrease within 10% and temperature increase within 20°C by the application of DC Bias
- Operating temperature: -25°C to +105°C
- Storage temperature: -40°C to +85°C
- Solderability: Temperature @ 230°C ± 5°C for 2 seconds
- Marking: EIA 4 band color code.

Note: All specifications subject to change without notice.