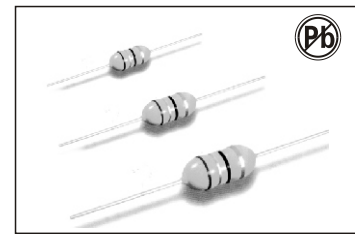


THROUGH-HOLE AXIAL CONFORMAL COATED INDUCTORS

LGA 0307 SERIES



FEATURES:

- Magnetic Core
- Wire-wound construction
- Heat resistant epoxy resin
- High reliability、 Ideal for automatic insertion
- Small size 、 Low Cost

OPTIONS:

- Packaging: Tape & Reel is Standard (Qty: 5000 pcs)
- Bulk packaging available for smaller quantities
- Tolerance:10% is standard, tighter tolerances available.

COMMON APPLICATIONS:

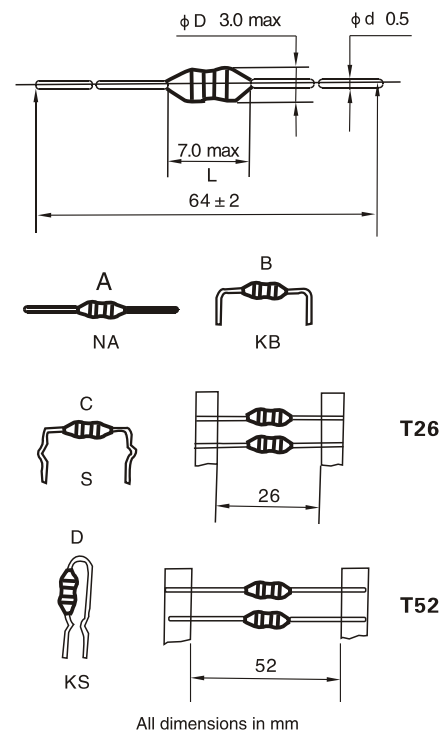
- VCRs
- Automotive Systems
- Computer Peripheral Equipment
- Televisions
- Electronic Games
- Mobile Communications Equipment
- General Electronic Applications

STANDARD SPECIFICATIONS

Part Number	L (μH)	Tol ± %	Q min	L Test Freq (MHz)	S.R.F (MHz)	R _{DC} (Ω) Max	I _{DC} (mA)
LGA0307-R22K	0.22	20	35	25.2	150	0.40	400
LGA0307-R27K	0.27	20	35	25.2	150	0.43	380
LGA0307-R33K	0.33	20	35	25.2	150	0.48	370
LGA0307-R39K	0.39	20	35	25.2	150	0.51	350
LGA0307-R47K	0.47	20	35	25.2	150	0.56	330
LGA0307-R56K	0.56	20	40	25.2	150	0.61	320
LGA0307-R68K	0.68	20	40	25.2	150	0.67	310
LGA0307-R82K	0.82	20	40	25.2	150	0.74	290
LGA0307-1R0K	1.0	20	40	25.2	150	0.80	270
LGA0307-1R2K	1.2	20	50	7.96	144	0.90	260
LGA0307-1R5K	1.5	20	50	7.96	131	1.0	250
LGA0307-1R8K	1.8	20	50	7.96	121	1.1	240
LGA0307-2R2K	2.2	20	50	7.96	110	1.2	230
LGA0307-2R7K	2.7	20	50	7.96	100	1.3	220
LGA0307-3R3K	3.3	10	50	7.96	94	1.4	210
LGA0307-3R9K	3.9	10	50	7.96	65	1.6	200
LGA0307-4R7K	4.7	10	50	7.96	56	1.7	190
LGA0307-5R6K	5.6	10	50	7.96	48	1.9	180
LGA0307-6R8K	6.8	10	50	7.96	37	2.0	175
LGA0307-8R2K	8.2	10	50	7.96	25	2.2	165
LGA0307-100K	10	10	50	7.96	21	2.5	160
LGA0307-120K	12	10	50	2.52	19	2.5	150
LGA0307-150K	15	10	50	2.52	17	2.8	145
LGA0307-180K	18	10	50	2.52	13	3.1	140
LGA0307-220K	22	10	50	2.52	9.6	3.4	130
LGA0307-270K	27	10	50	2.52	7.2	3.8	125
LGA0307-330K	33	10	50	2.52	6.3	4.1	120
LGA0307-390K	39	10	50	2.52	6.3	4.5	115
LGA0307-470K	47	10	50	2.52	6.3	4.9	110
LGA0307-560K	56	10	50	2.52	6.2	5.3	105
LGA0307-680K	68	10	50	2.52	5.7	5.8	100
LGA0307-820K	82	10	50	2.52	5.3	6.3	95
LGA0307-101K	100	10	50	2.52	4.8	7.0	90
LGA0307-121K	120	10	50	0.796	3.8	13.0	90
LGA0307-151K	150	10	50	0.796	3.5	15.0	85
LGA0307-181K	180	10	50	0.796	3.3	16.0	80
LGA0307-221K	220	10	50	0.796	3.0	17.0	75
LGA0307-271K	270	10	50	0.796	2.8	19.0	65
LGA0307-331K	330	10	50	0.796	2.6	20.0	60
LGA0307-391K	390	10	50	0.796	2.4	22.0	55
LGA0307-471K	470	10	50	0.796	2.25	24.0	55
LGA0307-561K	560	10	50	0.796	2.10	26.0	50
LGA0307-681K	680	10	50	0.796	1.95	28.0	45
LGA0307-821K	820	10	50	0.796	1.85	30.0	40
LGA0307-102K	1000	10	50	0.796	1.40	33.0	40

Note:1. K= ± 10%,M= ± 20%

PHYSICAL CHARACTERISTICS



TECHNICAL INFORMATION:

1、 Ordering Code

LGA 04 10 KB - 101 K T52
 (1) (2) (3) (4) (5) (6) (7)

- (1) Type
- (2) Outside
- (3) Body Length
- (4) Formed Type
- (5) Nominal Inductance
- (6) Inductance Tolerance
- (7) Tape Type

• Testing:(Equivalent acceptable)

Inductance-HP 4285A
 RDC:QuadTech 1880 Milliohmmer
 Q-HP 4342A
 SRF-HP 4191A

- IDC Max:The maximum DC value having inductance decrease within 10% and temperature increase within 20°C by the application of DC Bias
- Operating temperature:-25°C to +105°C
- Storage temperature:-40°C to + 85°C
- Solderability:Temperature @ 230°C ± 5°C for 2 seconds
- Marking:EIA 4 band color code.

Note: All specifications subject to change without notice.