



THROUGH-HOLE RADIAL HIGH CURRENT POWER CHOKES

AIRD 03 SERIES

FEATURES:

- High Saturation Material
- Polyolefin Shrink Tubing
- Low DC Resistance
- High Reliability Low cost

OPTIONS:

- Packaging: Tape & Reel is Standard (Qty: 1000 pcs)
Bulk packaging available for smaller quantities
- Tolerance: 10% is standard, tighter tolerances available.

COMMON APPLICATIONS:

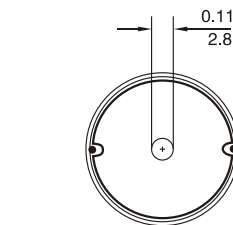
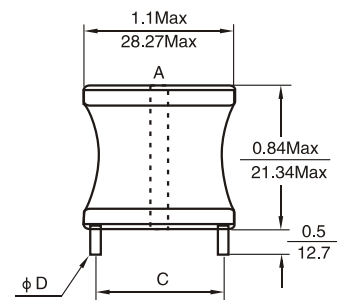
- Switching Regulators
- RFI Suppression Filters
- SCR and TRIAC Controls
- Automotive Systems

STANDARD SPECIFICATIONS

| Part Number | L (μH) @1KHz | DCR (Ω Max) | IDC (A Max) | Dim(Inches/mm) C Approx. | Dim(Inches/mm) ØD Nom. |
|-------------|--------------|-------------|-------------|--------------------------|------------------------|
| AIRD03-1R0M | 1.0 | 0.003 | 21 | 0.80/20.32 | 0.081/2.05 |
| AIRD03-1R2M | 1.2 | 0.003 | 21 | 0.80/20.32 | 0.081/2.05 |
| AIRD03-1R5M | 1.5 | 0.003 | 21 | 0.80/20.32 | 0.081/2.05 |
| AIRD03-1R8M | 1.8 | 0.003 | 21 | 0.80/20.32 | 0.081/2.05 |
| AIRD03-2R2M | 2.2 | 0.003 | 21 | 0.80/20.32 | 0.081/2.05 |
| AIRD03-2R7M | 2.7 | 0.003 | 21 | 0.80/20.32 | 0.081/2.05 |
| AIRD03-3R3M | 3.3 | 0.003 | 21 | 0.80/20.32 | 0.081/2.05 |
| AIRD03-3R9M | 3.9 | 0.003 | 21 | 0.80/20.32 | 0.081/2.05 |
| AIRD03-4R7M | 4.7 | 0.003 | 21 | 0.80/20.32 | 0.081/2.05 |
| AIRD03-5R6M | 5.6 | 0.003 | 21 | 0.82/20.82 | 0.081/2.05 |
| AIRD03-6R8M | 6.8 | 0.004 | 21 | 0.82/20.82 | 0.081/2.05 |
| AIRD03-8R2M | 8.2 | 0.004 | 21 | 0.82/20.82 | 0.081/2.05 |
| AIRD03-100K | 10 | 0.006 | 17 | 0.82/20.82 | 0.081/2.05 |
| AIRD03-120K | 12 | 0.008 | 13.5 | 0.80/20.32 | 0.072/1.82 |
| AIRD03-150K | 15 | 0.009 | 13.5 | 0.80/20.32 | 0.072/1.82 |
| AIRD03-180K | 18 | 0.010 | 13.5 | 0.80/20.32 | 0.072/1.82 |
| AIRD03-220K | 22 | 0.011 | 13.5 | 0.79/20.06 | 0.064/1.62 |
| AIRD03-270K | 27 | 0.012 | 13.5 | 0.79/20.06 | 0.064/1.62 |
| AIRD03-330K | 33 | 0.017 | 13.5 | 0.79/20.06 | 0.064/1.62 |
| AIRD03-390K | 39 | 0.022 | 11.4 | 0.79/20.06 | 0.057/1.44 |
| AIRD03-470K | 47 | 0.024 | 9.0 | 0.79/20.06 | 0.057/1.44 |
| AIRD03-560K | 56 | 0.026 | 9.0 | 0.79/20.06 | 0.057/1.44 |
| AIRD03-680K | 68 | 0.029 | 9.0 | 0.79/20.06 | 0.057/1.44 |
| AIRD03-820K | 82 | 0.032 | 9.0 | 0.79/20.06 | 0.051/1.37 |
| AIRD03-101K | 100 | 0.034 | 9.0 | 0.79/20.06 | 0.051/1.37 |
| AIRD03-121K | 120 | 0.046 | 7.2 | 0.79/20.06 | 0.051/1.37 |
| AIRD03-151K | 150 | 0.064 | 5.5 | 0.77/19.56 | 0.045/1.14 |
| AIRD03-181K | 180 | 0.072 | 5.5 | 0.77/19.56 | 0.045/1.14 |
| AIRD03-221K | 220 | 0.080 | 5.5 | 0.77/19.56 | 0.040/1.01 |
| AIRD03-271K | 270 | 0.110 | 4.5 | 0.77/19.56 | 0.040/1.01 |
| AIRD03-331K | 330 | 0.122 | 4.5 | 0.77/19.56 | 0.040/1.01 |
| AIRD03-391K | 390 | 0.169 | 4.0 | 0.77/19.56 | 0.036/0.91 |
| AIRD03-471K | 470 | 0.187 | 4.0 | 0.77/19.56 | 0.036/0.91 |
| AIRD03-561K | 560 | 0.205 | 4.0 | 0.77/19.56 | 0.032/0.81 |
| AIRD03-681K | 680 | 0.256 | 2.8 | 0.77/19.56 | 0.032/0.81 |
| AIRD03-821K | 820 | 0.288 | 2.8 | 0.77/19.56 | 0.032/0.81 |
| AIRD03-102K | 1000 | 0.426 | 2.0 | 0.75/19.05 | 0.029/0.73 |
| AIRD03-122K | 1200 | 0.426 | 2.0 | 0.75/19.05 | 0.029/0.73 |
| AIRD03-152K | 1500 | 0.518 | 2.0 | 0.75/19.05 | 0.025/0.64 |
| AIRD03-182K | 1800 | 0.705 | 1.6 | 0.75/19.05 | 0.025/0.64 |
| AIRD03-222K | 2200 | 1.02 | 1.3 | 0.75/19.05 | 0.025/0.64 |
| AIRD03-272K | 2700 | 1.14 | 1.3 | 0.75/19.05 | 0.023/0.58 |
| AIRD03-332K | 3300 | 1.27 | 1.3 | 0.75/19.05 | 0.020/0.51 |
| AIRD03-392K | 3900 | 1.67 | 1.0 | 0.75/19.05 | 0.020/0.51 |
| AIRD03-472K | 4700 | 1.86 | 1.0 | 0.75/19.05 | 0.020/0.51 |

Note: 1. K = ± 10%, M = ± 20%

PHYSICAL CHARACTERISTICS



DIMENSIONS:

| |
|--------|
| INCHES |
| mm |

ELECTRONICAL SCHEMATIC



TECHNICAL INFORMATION:

- Inductance Testing: ,HP4284A,HP4285A or equivalent
- RDC:QuadTech 1880 Milliohmmer
- Q- HP4342A
- SRF-HP4191A or HP4194A
- Rated Current L value drop 10% typ. at I_{DC} against its initial value
- Temperature rise 40°C Max Reference ambient temperature
- Solderability: 75% of the lead wire shall be covered
- Soldering Methods: Wave,Reflow
- Operating Temperature: -25°C to +85°C
- Storage Temperature: -55°C to +125°C
- Terminal bending strength: 24.5N Min
- Moisture resistance: ΔL/L ≤ ± 10% ΔQ/Q ≤ ± 25%

Note: All specifications subject to change without notice.