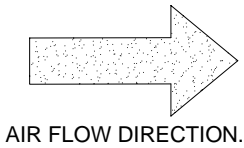
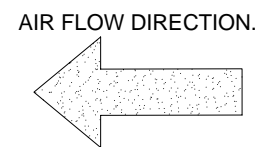
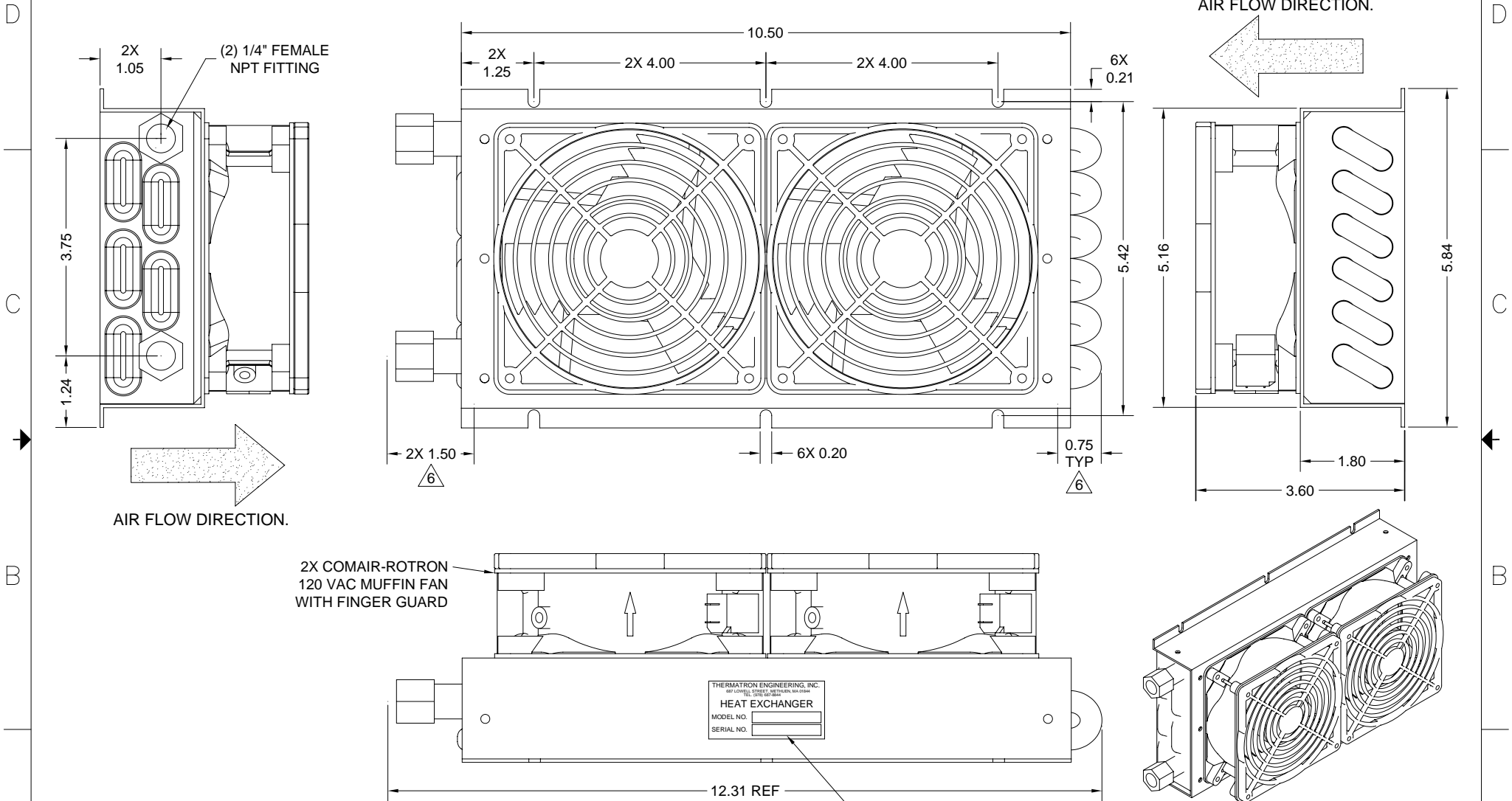


REVISIONS				
ZONE	REV	DESCRIPTION	DATE	APPROVED
A	RELEASED		01/17/2000	B. RABBITT



2X COMAIR-ROTRON  
120 VAC MUFFIN FAN  
WITH FINGER GUARD

APPLY LABEL WHERE SHOWN,  
MARK WITH DATE CODE AND  
MODEL NUMBER

- NOTES:
1. WELD PER A8381.
  2. PRESSURE TEST 150 PSI N2 UNDER WATER.
  3. BRIGHTEN FINS PRIOR TO FRAME ASS'Y PER. TEP 101-06.
  4. INTERNAL FLUSH AND TUBE TREAT PER TEP 101-07.
  5. FRAME FINISH GOLD IRRIDITE PER. MIL-C-5441.
  6. DIMENSION FROM TUBE SHEET.

<b>CONFIDENTIAL INFORMATION</b> THIS DRAWING CONTAINS INFORMATION THAT IS RESTRICTED. USE OF THE INFORMATION CONTAINED HEREIN WITHOUT THE EXPRESS CONSENT OF THERMATRON ENGINEERING IS STRICTLY PROHIBITED.	DRAWN BY: U. RUBITSKI	DATE: 01/17/2000	<b>THERMATRON ENGINEERING Inc.</b> 687 LOWELL STREET, METUEN, MA 01844 * PHONE: (978) 687-8844 FAX: (978) 687-8844 E-MAIL: INFO@THERMATRONENG.COM * WWW SITE: HTTP://WWW.THERMATRONENG.COM
	CHECKED BY: B. RABBITT	DATE: 01/17/2000	
	APPROVED BY: B. RABBITT	DATE: 01/17/2000	
	MATERIAL: CU FIN. STAINLESS TUBE	FINISH:	
REFERENCE NO.	UNLESS OTHERWISE SPECIFIED, DIMENSIONS ARE IN INCHES.	TOLERANCE DECIMALS: .XX ± 0.015 .XXX ± 0.010 ANGLES: ± 1/2	TITLE: HEAT EXCHANGER
NEXT ASSEMBLY.	CODE IDENT. No. 1GQ06	DRAWING No. 731SPM1	DRAWING SIZE: C
	THIRD ANGLE PROJECTION	SCALE: 1:1	SHEET: 1 OF 1