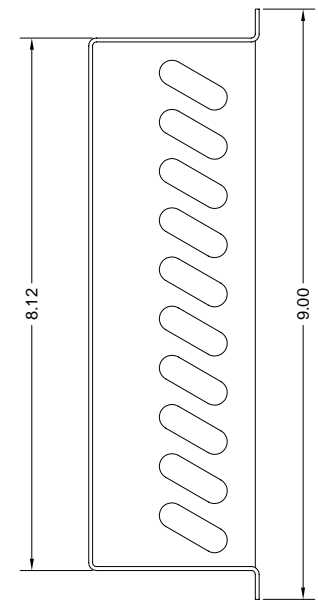
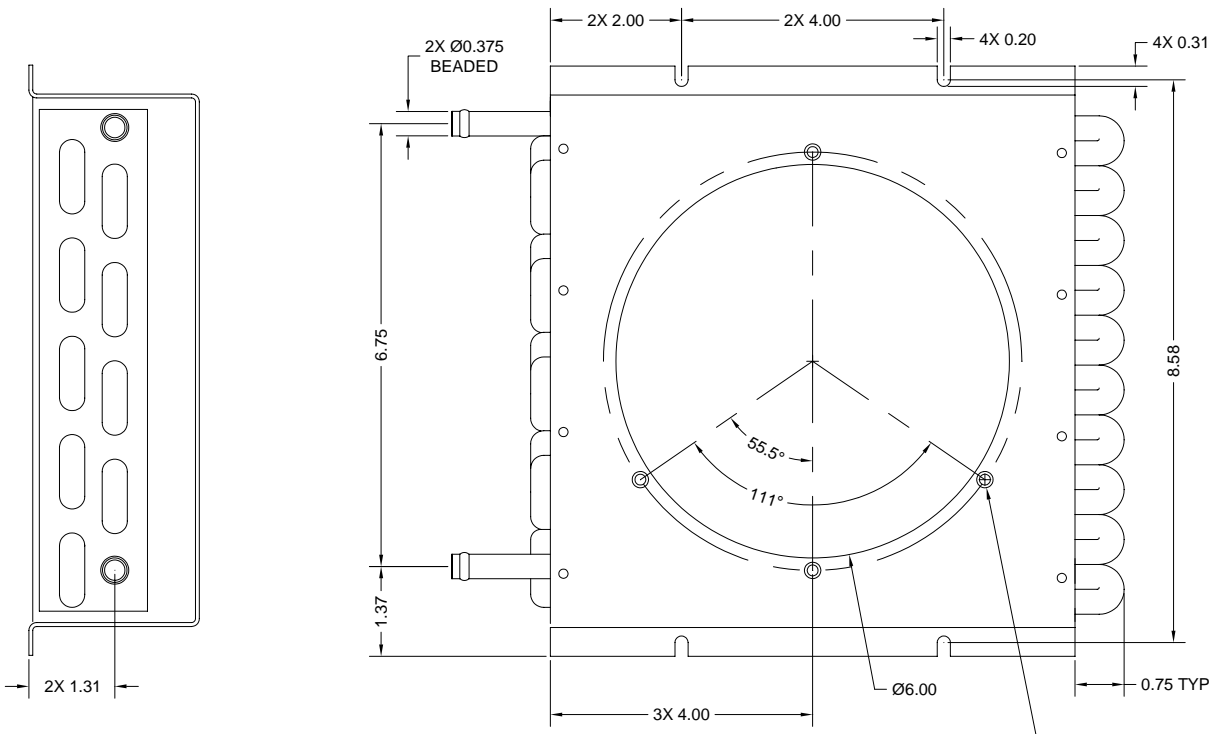
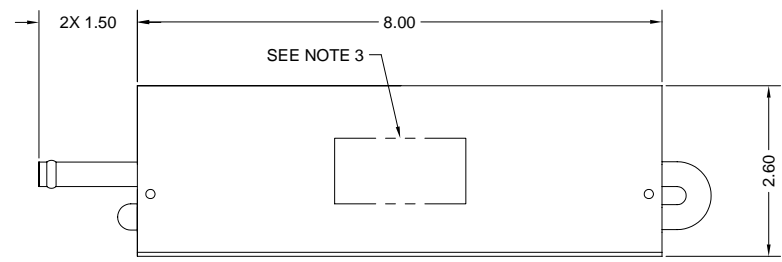


REVISIONS				
ZONE	REV	DESCRIPTION	DATE	APPROVED
	A	RELEASED	01/04/2000	B. RABBITT



4X 6-32 THREADED INSERTS
POSITIONED AS SHOWN ON
A Ø6.375 BC ±0.10



- NOTES:
- PRESSURE TEST ASSEMBLY AT 150 PSI.
 - TUBE TREAT PER TEI 101-07. BRIGHTEN FINNS PER PROCEDURE.
 - APPLY LABEL AS SHOWN AND MARK WITH MODEL NO. AND DATE OF MANUFACTURE.

CONFIDENTIAL INFORMATION	DRAWN BY: J. RUBITSKI	DATE: 01/04/2000	THERMATRON ENGINEERING Inc.	
	CHECKED BY: B. RABBITT	DATE: 01/04/2000	687 LOWELL STREET, METHUEN, MA 01844 * PHONE (978) 687-8844 FAX (978) 687-8844 E-MAIL: INFO@THERMATRONENG.COM * WWW SITE: HTTP://WWW.THERMATRONENG.COM	
	APPROVED BY: B. RABBITT	DATE: 01/04/2000	TITLE: HEAT EXCHANGER	
THIS DRAWING CONTAINS INFORMATION THAT IS RESTRICTED. USE OF THE INFORMATION CONTAINED HEREIN WITHOUT THE EXPRESS CONSENT OF THERMATRON ENGINEERING IS STRICTLY PROHIBITED.	UNLESS OTHERWISE SPECIFIED, DIMENSIONS ARE IN INCHES.	CODE IDENT. No. 1GQ06	DRAWING No. 732SBP0	DRAWING SIZE. C
REFERENCE No.	TOLERANCE	THIRD ANGLE PROJECTION		SCALE: 1:1
NEXT ASSEMBLY.	DECIMALS: .XX ± 0.015 .XXX ± 0.010 ANGLES: ± 1/2	SHEET: 1 OF 1		