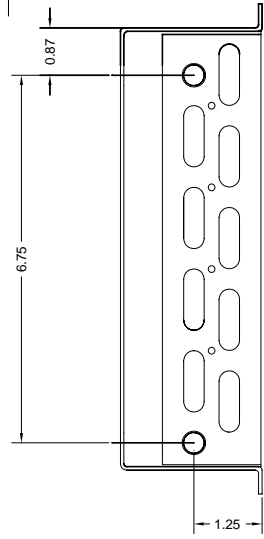
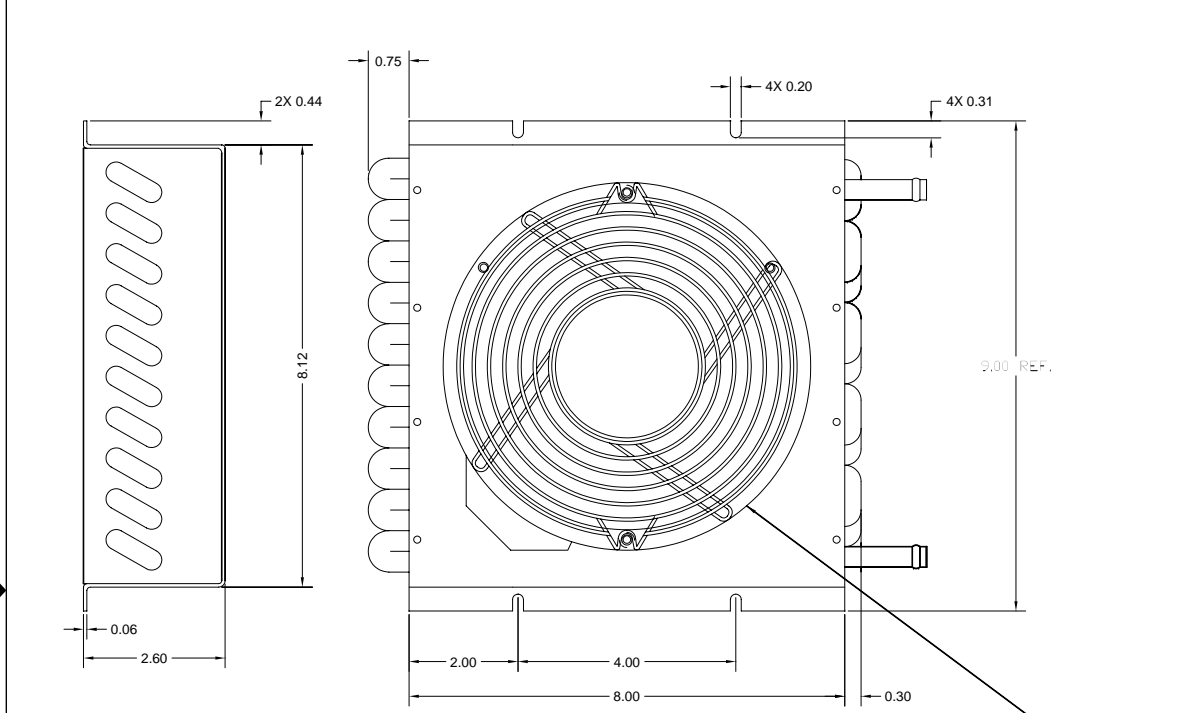
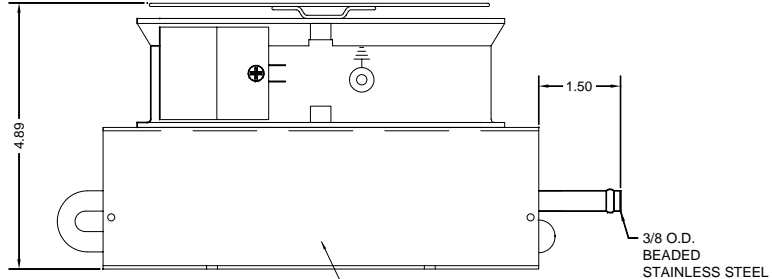


REVISIONS				
ZONE	REV	DESCRIPTION	DATE	APPROVED
	A	UPDATE TO CAD 2000, NO CHANGE.	05/17/1999	D. SAVOY



FAN: COMAIR-ROTRON PATRIOT 120 VAC
 MODEL NO. PT77B3
 P/N 028312
 FINGER GUARD: P/N 551199



- NOTES:
- ▲ FRAME FINISH GOLD IRRIDITE PER. MIL-C-5441
 - ▲ WELD PER A8381
 - ▲ PRESSURE TEST 150 PSI N2 UNDER WATER
 - ▲ BRIGHTEN FINS PRIOR TO FRAME ASS'Y PER. TEP 101-06
 - ▲ INTERNAL FLUSH AND TUBE TREAT PER. TEP 101-07

CONFIDENTIAL INFORMATION	DRAWN BY. B. RABBITT	DATE. 05/17/1999	THERMATRON ENGINEERING Inc. 687 LOWELL STREET, METHUEN MA 01844 * PHONE (978)-687-8844 FAX (978)-687-8844 E-Mail: INFO@THERMATRONENG.COM * Web Site: HTTP://WWW.THERMATRONENG.COM
	CHECKED BY. D. SAVOY	DATE. 05/17/1999	
	APPROVED BY. D. SAVOY	DATE. 05/17/1999	
	MATERIAL. STAINLESS TUBING / CU FINS FINISH.		
THIS DRAWING CONTAINS INFORMATION THAT IS RESTRICTED. USE OF THE INFORMATION CONTAINED HEREIN WITHOUT THE EXPRESS CONSENT OF THERMATRON ENGINEERING IS STRICTLY PROHIBITED.			TITLE: HEAT EXCHANGER
REFERENCE No. OLD No. 9159	TOLERANCE DECIMALS: .XX ± 0.050 .XXX ± 0.025	GOLD IRRIDITE SHROUD UNLESS OTHERWISE SPECIFIED, DIMENSIONS ARE IN INCHED.	CODE INDET. No. 1GQ06
NEXT ASSEMBLY. NONE	ANGLES: ± 1/2		DRAWING No. 732SBP1
			DRAWING SIZE. B
			THIRD ANGLE PROJECTION
			SCALE. 1:1
			SHEET. 1 OF 1