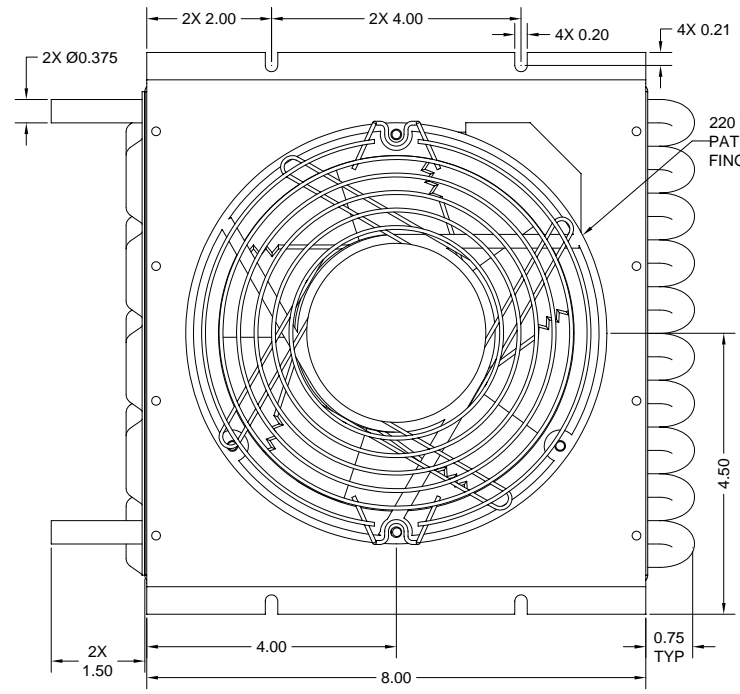
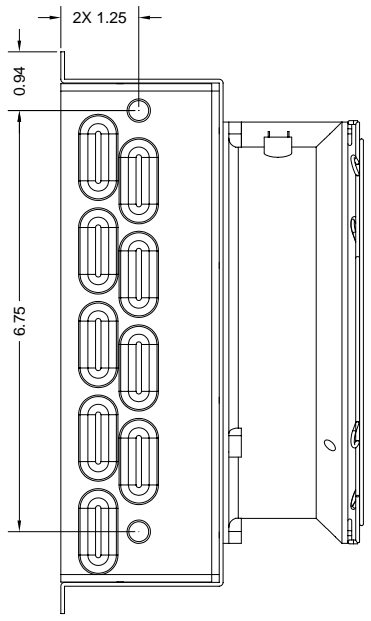
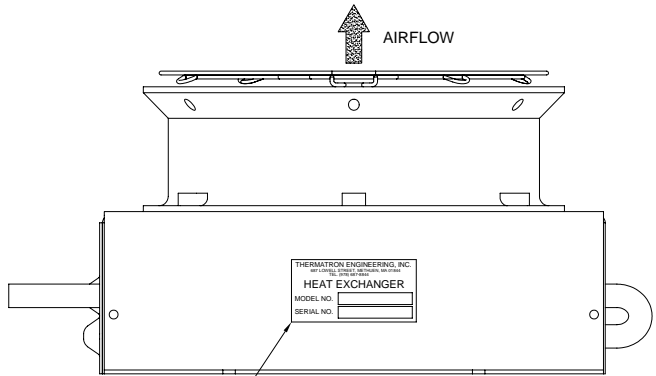
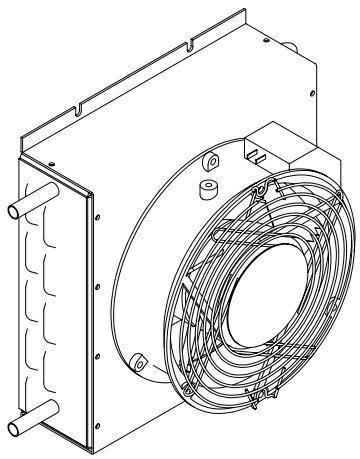
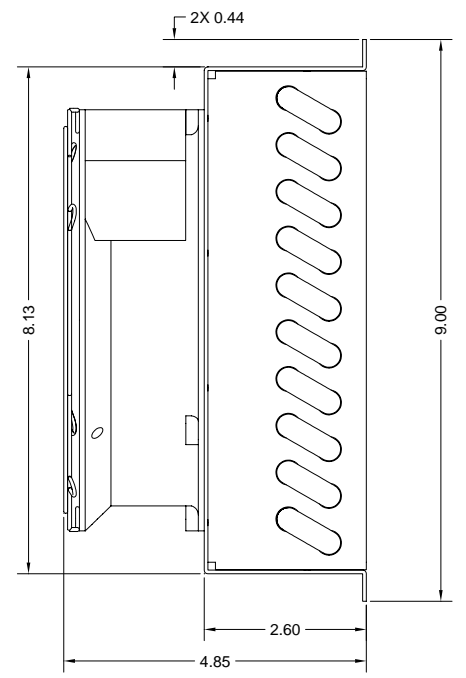


REVISIONS				
ZONE	REV	DESCRIPTION	DATE	APPROVED
	A	RELEASED	03/03/2000	B. RABBITT



220 VAC COMAIR-ROTRON PATRIOT FAN WITH FINGER GUARD



APPLY LABEL WHERE SHOWN
MARK MODEL AND SERIAL NUMBERS

- NOTES:
- ▲ WELD PER A8381
 - ▲ PRESSURE TEST 150 PSI N2 UNDER WATER
 - ▲ BRIGHTEN FINS PRIOR TO FRAME ASS'Y PER. TEP 101-06
 - ▲ INTERNAL FLUSH AND TUBE TREAT PER. TEP 101-07

CONFIDENTIAL INFORMATION	DRAWN BY: J. RUBITSKI	DATE: 03/03/2000	THERMATRON ENGINEERING Inc. 687 LOWELL STREET, METHUEN MA 01844 * PHONE: (978)-687-8844 FAX: (978)-687-8844 E-MAIL: RFP@THERMATRONENGL.COM * Web Site: HTTP://WWW.THERMATRONENGL.COM	
	CHECKED BY: B. RABBITT	DATE: 03/03/2000		
THIS DRAWING CONTAINS INFORMATION THAT IS RESTRICTED. USE OF THE INFORMATION CONTAINED HEREIN WITHOUT THE EXPRESS CONSENT OF THERMATRON ENGINEERING IS STRICTLY PROHIBITED.	APPROVED BY: B. RABBITT	DATE: 03/03/2000	TITLE: HEAT EXCHANGER	
	REFERENCE No.	UNLESS OTHERWISE SPECIFIED, DIMENSIONS ARE IN INCHES.	CODE INDENT. No. 1GQ06	DRAWING No. 732SLP2
NEXT ASSEMBLY:	TOLERANCE DECIMALS: .XX ± 0.015 .XXX ± 0.010 ANGLES: ± 1/2	THIRD ANGLE PROJECTION	DRAWING SIZE: C	
			SCALE: 1:1 SHEET: 1 OF 1	