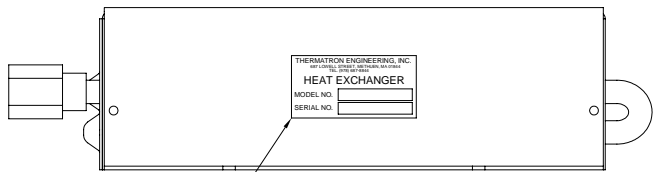
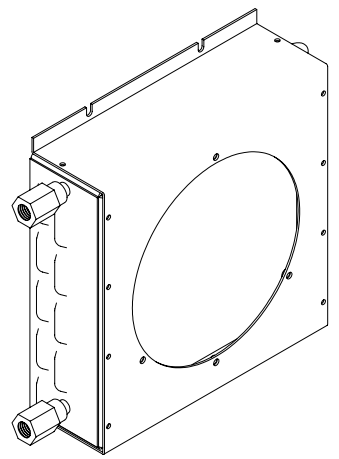
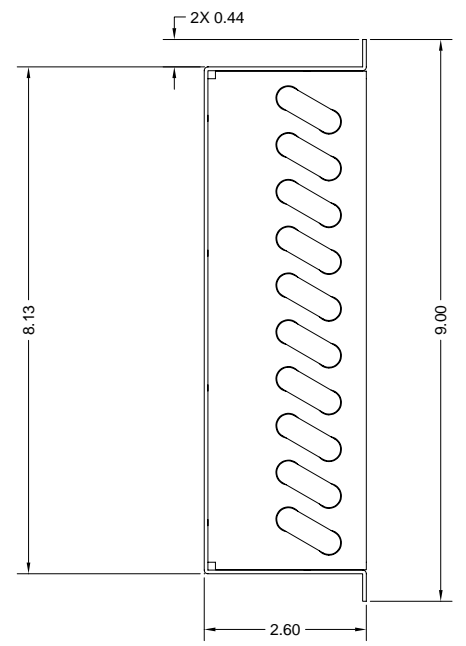
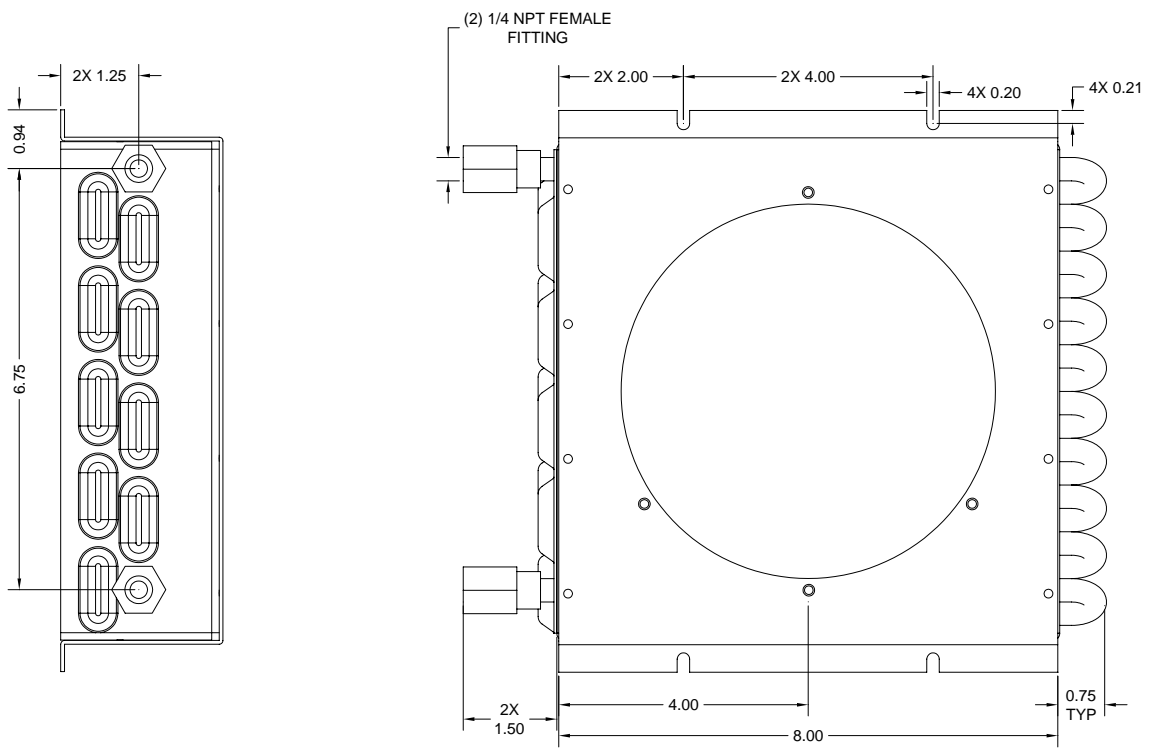


| REVISIONS | | | | |
|-----------|-----|-------------|------------|----------|
| ZONE | REV | DESCRIPTION | DATE | APPROVED |
| | A | RELEASED | 01/28/2002 | R. LOPEZ |



APPLY LABEL WHERE SHOWN
MARK MODEL AND SERIAL NUMBERS

- NOTES:
- ▲ WELD PER A8381
 - ▲ PRESSURE TEST 150 PSI N2 UNDER WATER
 - ▲ BRIGHTEN FINS PRIOR TO FRAME ASS'Y PER. TEP 101-06
 - ▲ INTERNAL FLUSH AND TUBE TREAT PER. TEP 101-07

| | | | |
|---|--|---|---|
| CONFIDENTIAL INFORMATION | DRAWN BY: S. RABBITT | DATE: 01/28/2002 | THERMATRON ENGINEERING Inc. 687 LOWELL STREET, METHUEN MA 01844 * PHONE: (978)-687-8844 FAX: (978)-687-8844 E-MAIL: RFP@THERMATRONENG.COM * Web Site: HTTP://WWW.THERMATRONENG.COM |
| | CHECKED BY: D. SAVOY | DATE: 01/28/2002 | |
| THIS DRAWING CONTAINS INFORMATION THAT IS RESTRICTED. USE OF THE INFORMATION CONTAINED HEREIN WITHOUT THE EXPRESS CONSENT OF THERMATRON ENGINEERING IS STRICTLY PROHIBITED. | APPROVED BY: S. RABBITT | DATE: 01/28/2002 | TITLE: HEAT EXCHANGER |
| | REFERENCE No. | TOLERANCE UNLESS OTHERWISE SPECIFIED, DIMENSIONS ARE IN INCHES. | CODE INDENT. No. 1GQ06 |
| NEXT ASSEMBLY: | DECIMALS: .XX ± 0.015 .XXX ± 0.010 ANGLES: ± 1/2 | THIRD ANGLE PROJECTION | DRAWING No. 732SPP0 DRAWING SIZE: C |
| | | | SCALE: 1:1 SHEET: 1 OF 1 |