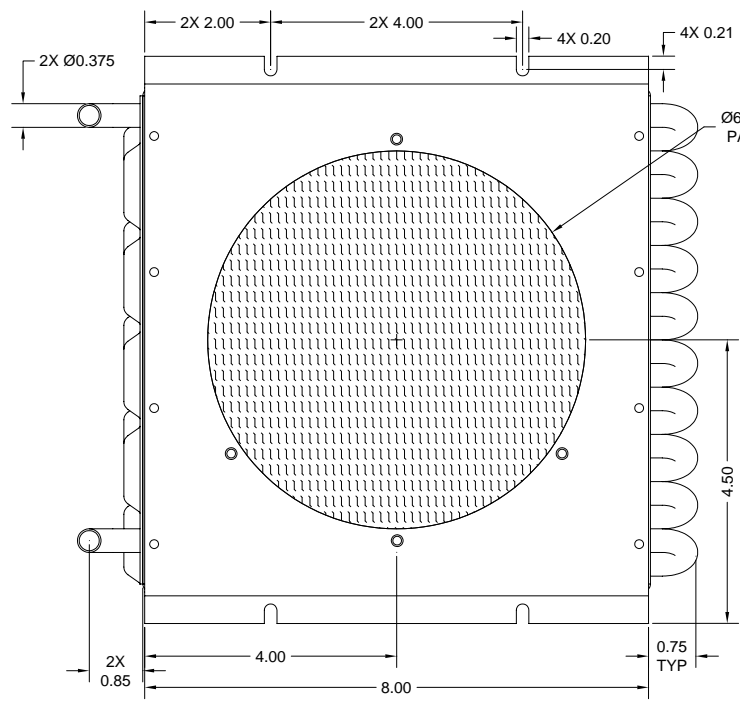
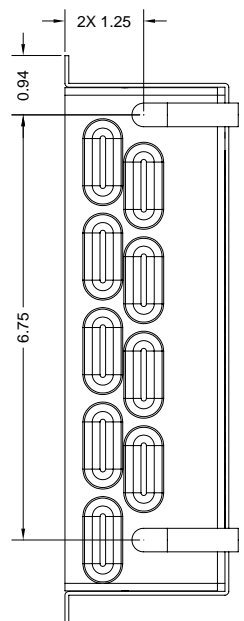
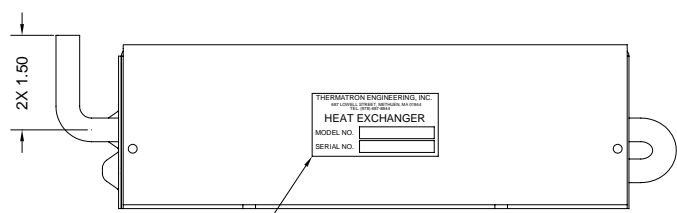
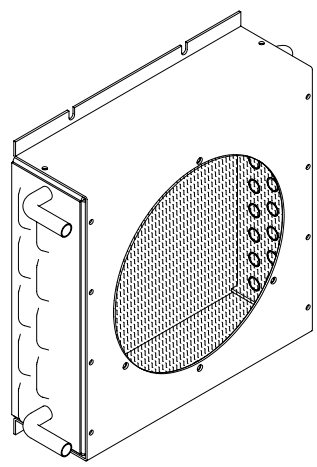
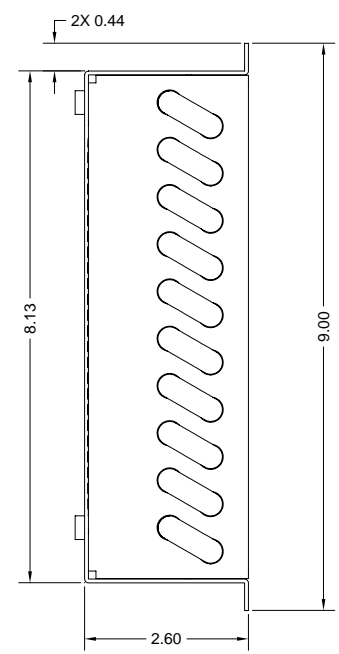


REVISIONS				
ZONE	REV	DESCRIPTION	DATE	APPROVED
	A	RELEASED	08/22/2000	D. SAVOY



Ø6.00 COMAIR-ROTRON PATROIT FAN MOUNT.



THERMATRON ENGINEERING, INC.  
 HEAT EXCHANGER  
 MODEL NO. \_\_\_\_\_  
 SERIAL NO. \_\_\_\_\_

APPLY LABEL WHERE SHOWN  
 MARK MODEL AND SERIAL NUMBERS

NOTES:

- ▲ WELD PER A8381
- ▲ PRESSURE TEST 150 PSI N2 UNDER WATER
- ▲ BRIGHTEN FINN PRIOR TO FRAME ASS'Y PER. TEP 101-06
- ▲ INTERNAL FLUSH AND TUBE TREAT PER. TEP 101-07

<b>CONFIDENTIAL INFORMATION</b> THIS DRAWING CONTAINS INFORMATION THAT IS RESTRICTED. USE OF THE INFORMATION CONTAINED HEREIN WITHOUT THE EXPRESS CONSENT OF THERMATRON ENGINEERING IS STRICTLY PROHIBITED.	DRAWN BY: B. RABBITT	DATE: 08/22/2000	<b>THERMATRON ENGINEERING Inc.</b> 3877 LOWELL STREET, BOSTON, MA 02184 * PHONE: (617) 657-8888 FAX: (617) 657-8884 E-Mail: INFO@THERMATRONENG.COM * Web Site: HTTP://WWW.THERMATRONENG.COM
	CHECKED BY: D. SAVOY	DATE: 08/22/2000	
	APPROVED BY: B. RABBITT	DATE: 08/22/2000	
REFERENCE No.	UNLESS OTHERWISE SPECIFIED, DIMENSIONS ARE IN INCHES.	TOLERANCE DECIMALS: .XX ± 0.015 .XXX ± 0.010 ANGLES: ± 1/2	TITLE: HEAT EXCHANGER
NEXT ASSEMBLY.	CODE INCH. No. 1GQ06	DRAWING No. 732TLP0	DRAWING SIZE: C
	THIRD ANGLE PROJECTION		SCALE: 1:1 SHEET: 1 OF 1