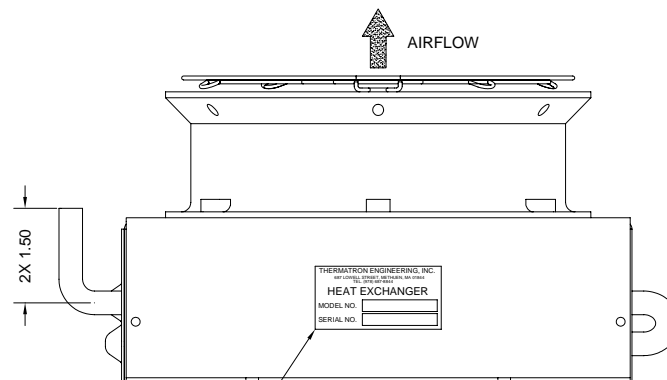
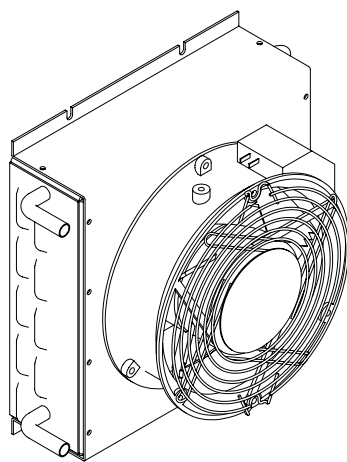
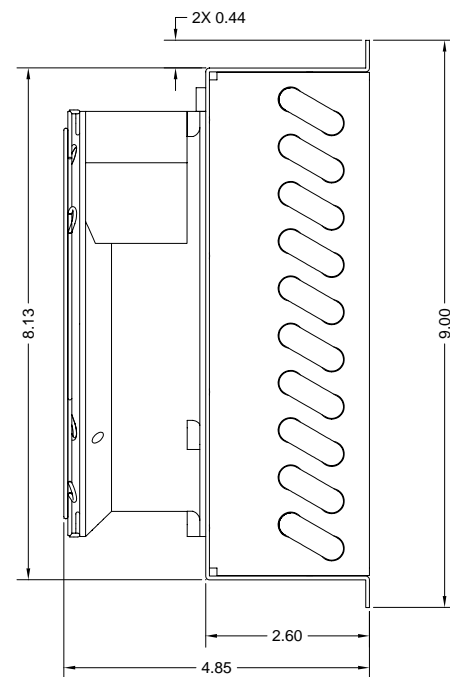
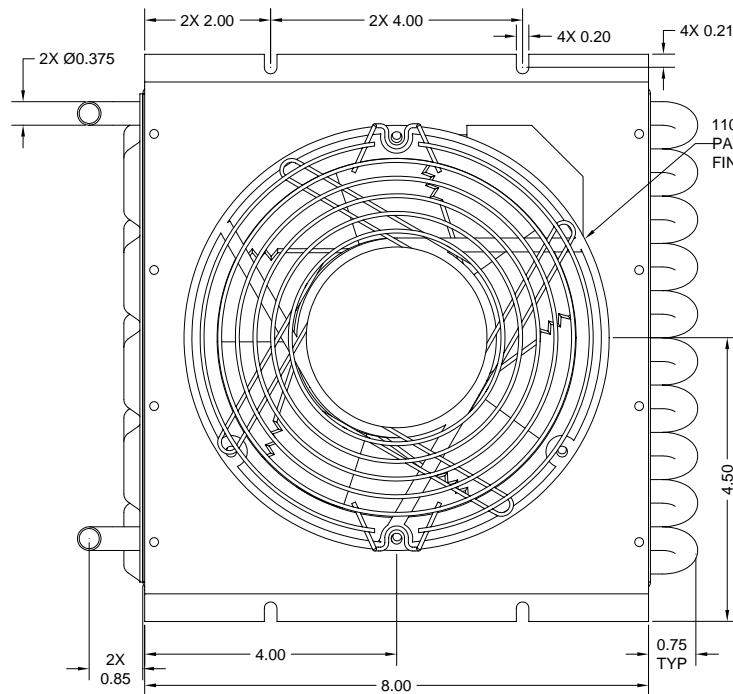
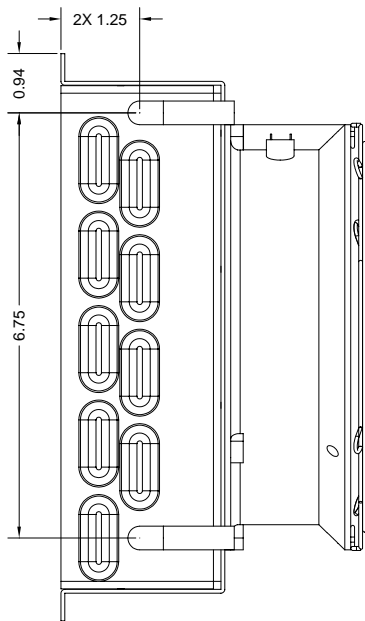


REVISIONS				
ZONE	REV	DESCRIPTION	DATE	APPROVED
	A	RELEASED	08/22/2000	D. SAVOY



APPLY LABEL WHERE SHOWN
MARK MODEL AND SERIAL NUMBERS

NOTES:

- ⚠ WELD PER A8381
- ⚠ PRESSURE TEST 150 PSI N2 UNDER WATER
- ⚠ BRIGHTEN FINS PRIOR TO FRAME ASS'Y PER. TEP 101-06
- ⚠ INTERNAL FLUSH AND TUBE TREAT PER. TEP 101-07

CONFIDENTIAL INFORMATION THIS DRAWING CONTAINS INFORMATION THAT IS RESTRICTED. USE OF THE INFORMATION CONTAINED HEREIN WITHOUT THE EXPRESS CONSENT OF THERMATRON ENGINEERING IS STRICTLY PROHIBITED.	DRAWN BY: IS. RABBITT	DATE: 08/22/2000	THERMATRON ENGINEERING Inc.	
	CHECKED BY: D. SAVOY	DATE: 08/22/2000	3871 LOWELL STREET, BETHLEHEM PA 18014 * PHONE: (717) 657-9944 FAX: (717) 657-9944 E-Mail: INFO@THERMATRONENG.COM * Web Site: HTTP://WWW.THERMATRONENG.COM	
	APPROVED BY: IS. RABBITT	DATE: 08/22/2000	TITLE: HEAT EXCHANGER	
REFERENCE No.	UNLESS OTHERWISE SPECIFIED, DIMENSIONS ARE IN INCHES.	CODE IDENT. No. 1GQ06	DRAWING No. 732TLP1	DRAWING SIZE. C
NEXT ASSEMBLY.	TOLERANCE DECIMALS: .XX ± 0.015 .XXX ± 0.010 ANGLES: ± 1/2	THIRD ANGLE PROJECTION	SHEET. 1 OF 1	