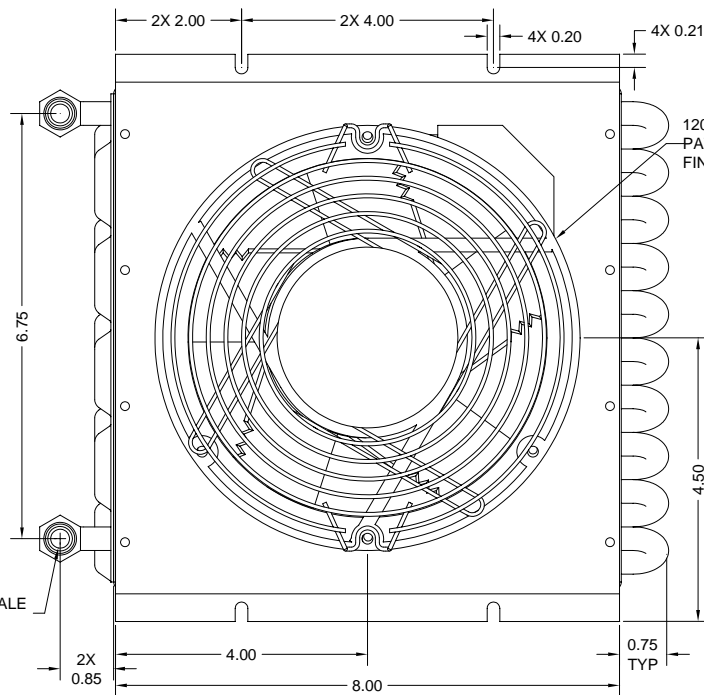
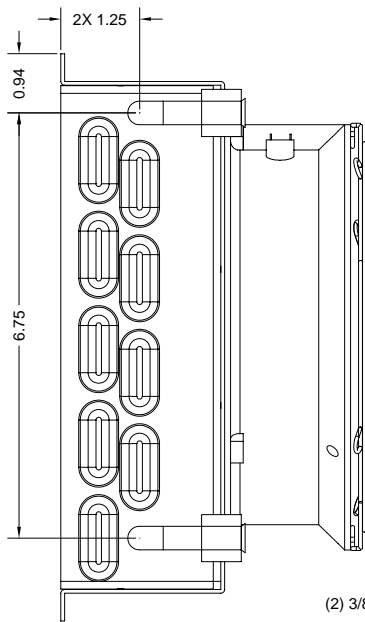
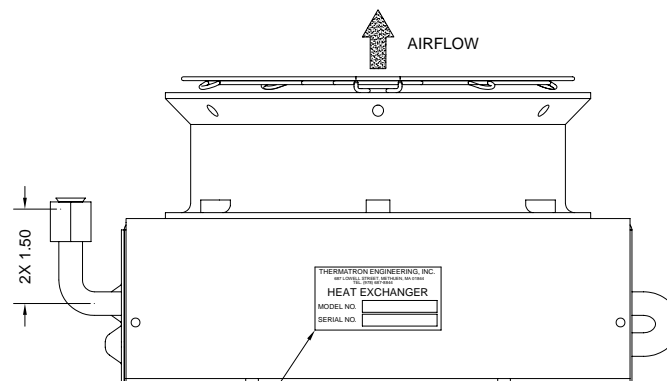
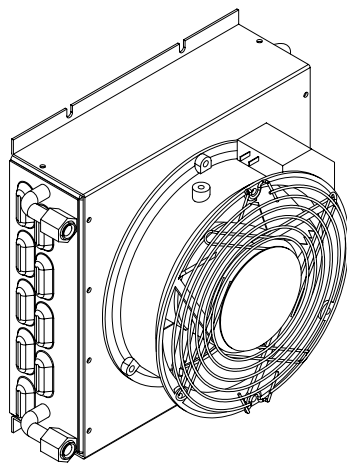
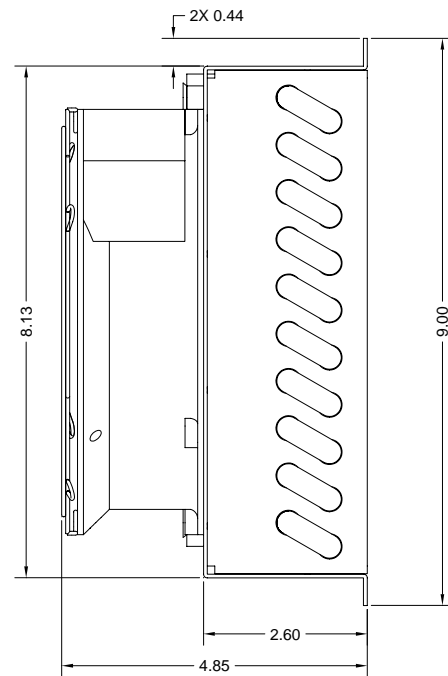


REVISIONS				
ZONE	REV	DESCRIPTION	DATE	APPROVED
	A	RELEASED	08/22/2000	D. SAVOY



120 VAC COMAIR-ROTRON  
PATRIOT FAN WITH  
FINGER GUARD



APPLY LABEL WHERE SHOWN  
MARK MODEL AND SERIAL NUMBERS

NOTES:

- 1 WELD PER A8381
- 2 PRESSURE TEST 150 PSI N2 UNDER WATER
- 3 BRIGHTEN FINN PRIOR TO FRAME ASS'Y PER. TEP 101-06
- 4 INTERNAL FLUSH AND TUBE TREAT PER. TEP 101-07

<b>CONFIDENTIAL INFORMATION</b>	DRAWN BY: B. RABBITT	DATE: 08/22/2000	<b>THERMATRON ENGINEERING Inc.</b> 387 SCHWILL STREET, MATHESVILLE, MISSOURI 65703-0704 E-MAIL: INFO@THERMATRONENG.COM * Web Site: HTTP://WWW.THERMATRONENG.COM
	CHECKED BY: D. SAVOY	DATE: 08/22/2000	
THIS DRAWING CONTAINS INFORMATION THAT IS RESTRICTED. USE OF THE INFORMATION CONTAINED HEREIN WITHOUT THE EXPRESS CONSENT OF THERMATRON ENGINEERING IS STRICTLY PROHIBITED.	APPROVED BY: B. RABBITT	DATE: 08/22/2000	TITLE: HEAT EXCHANGER
	REFERENCE No.	UNLESS OTHERWISE SPECIFIED, DIMENSIONS ARE IN INCHES.	CODE INCH. No. 1GQ06
NEXT ASSEMBLY.	TOLERANCE DECIMALS: .XX ± 0.015 .XXX ± 0.010 ANGLES: ± 1/2	DRAWING No. 732TNP1	DRAWING SIZE: C
	THIRD ANGLE PROJECTION	SHEET: 1 OF 1	