

4

3

2

1

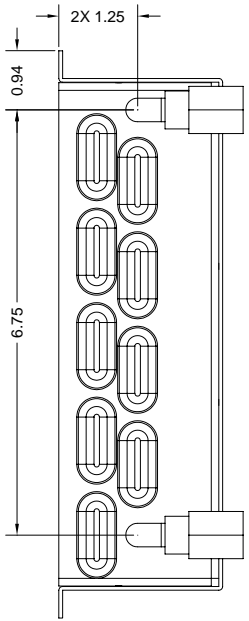
REVISIONS				
ZONE	REV	DESCRIPTION	DATE	APPROVED
	A	RELEASED	08/22/2000	D. SAVOY

D

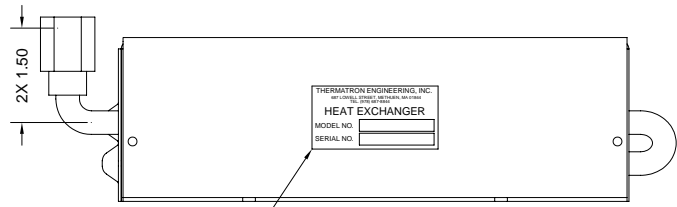
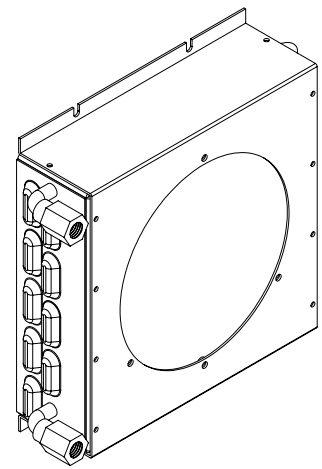
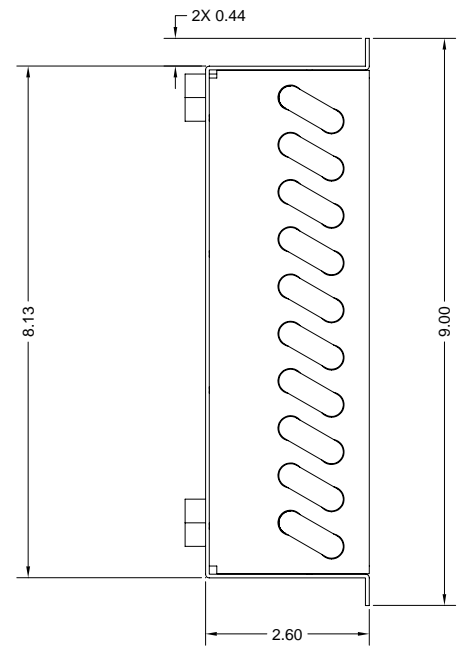
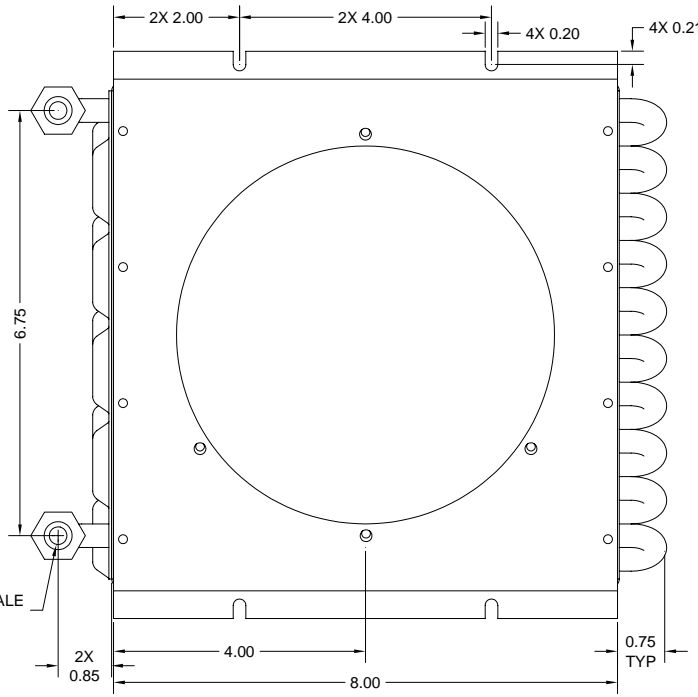
C

B

A



(2) 1/4 NPT FEMALE FITTING



APPLY LABEL WHERE SHOWN MARK MODEL AND SERIAL NUMBERS

NOTES:

- 1 WELD PER A8381
- 2 PRESSURE TEST 150 PSI N2 UNDER WATER
- 3 BRIGHTEN FIN'S PRIOR TO FRAME ASS'Y PER. TEP 101-06
- 4 INTERNAL FLUSH AND TUBE TREAT PER. TEP 101-07

CONFIDENTIAL INFORMATION	DRAWN BY: B. RABBITT	DATE: 08/22/2000	THERMATRON ENGINEERING Inc. <small>387 LOWELL STREET, METHUEN MA 01844 * PHONE: 978-687-9344 FAX: 978-687-9344 E-Mail: INFO@THERMATRONENG.COM * Web Site: HTTP://WWW.THERMATRONENG.COM</small>
	CHECKED BY: D. SAVOY	DATE: 08/22/2000	
THIS DRAWING CONTAINS INFORMATION THAT IS RESTRICTED. USE OF THE INFORMATION CONTAINED HEREIN WITHOUT THE EXPRESS CONSENT OF THERMATRON ENGINEERING IS STRICTLY PROHIBITED.	APPROVED BY: B. RABBITT	DATE: 08/22/2000	TITLE: HEAT EXCHANGER
	MATERIAL: CU FIN, STAINLESS TUBE FINISH.		
REFERENCE No.	UNLESS OTHERWISE SPECIFIED, DIMENSIONS ARE IN INCHES.	CODE INVENT. No. 1GQ06	DRAWING No. 732TPP0
NEXT ASSEMBLY.	TOLERANCE DECIMALS: .XX ± 0.015 .XXX ± 0.010 ANGLES: ± 1/2	THIRD ANGLE PROJECTION	DRAWING SIZE: C
			SCALE: 1:1 SHEET: 1 OF 1

4

3

2

1