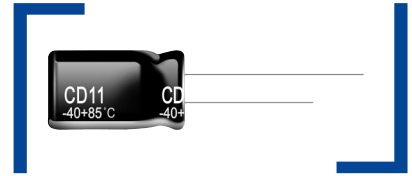


GM 普通品 (CD11型)

- ◎ 一般用途
For general purpose
- ◎ 适用于黑白电视机、收录机、电话机等电子线路中
Used in white-black TVs, radio, telephone circuits, etc

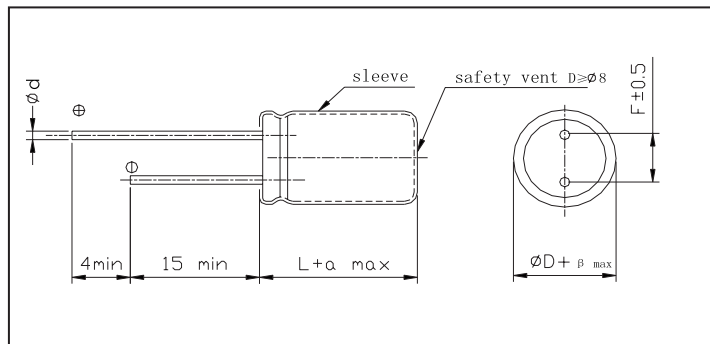


主要技术性能 Specifications

项目 Item	特性 Performance Characteristics																																			
使用温度范围 Operating temperature rang	-40 ~ +85°C	-25 ~ +85°C																																		
额定电压范围 Rated voltage range	6.3 ~ 100V	160 ~ 450V																																		
标称电容量范围 Nominal capacitance range	0.1~33000 μF																																			
标称电容量允许偏差 Capacitance tolerance	± 20% (120Hz, +20°C)																																			
漏电流 Leakage current	$I \leq 0.02CV$ (μA) 或 $5 \mu A$ 1分钟(1 minute) 取较大者(Whichever is greater)	$I \leq 0.03CV$ (μA)+ $40 \mu A$ 1分钟(1 minute)																																		
损耗角正切值 (tg δ) Dissipation factor (+20°C, 120Hz)	<table border="1"> <tr> <td>U_R (V)</td> <td>6.3</td> <td>10</td> <td>16</td> <td>25</td> <td>35</td> <td>50</td> <td>63</td> <td>100</td> </tr> <tr> <td>tg δ</td> <td>0.28</td> <td>0.24</td> <td>0.20</td> <td>0.16</td> <td>0.14</td> <td>0.12</td> <td>0.10</td> <td>0.10</td> </tr> </table>									U_R (V)	6.3	10	16	25	35	50	63	100	tg δ	0.28	0.24	0.20	0.16	0.14	0.12	0.10	0.10									
	U_R (V)	6.3	10	16	25	35	50	63	100																											
tg δ	0.28	0.24	0.20	0.16	0.14	0.12	0.10	0.10																												
	<table border="1"> <tr> <td>U_R (V)</td> <td>160</td> <td>200</td> <td>250</td> <td>400</td> <td>450</td> <td></td> <td></td> <td></td> </tr> <tr> <td>tg δ</td> <td>0.20</td> <td>0.20</td> <td>0.20</td> <td>0.25</td> <td>0.25</td> <td></td> <td></td> <td></td> </tr> </table> <p>容量大于1000 μF者, 每增加1000 μF, 其损耗角正切值增加0.02 For capacitance value >1000 μF, add 0.02 per another 1000 μF</p>									U_R (V)	160	200	250	400	450				tg δ	0.20	0.20	0.20	0.25	0.25												
U_R (V)	160	200	250	400	450																															
tg δ	0.20	0.20	0.20	0.25	0.25																															
温度特性 Temperature characteristics (Impedance ratio at 120Hz)	<table border="1"> <tr> <td>U_R (V)</td> <td>6.3</td> <td>10</td> <td>16</td> <td>25</td> <td>35</td> <td>50</td> <td>63</td> <td>100</td> </tr> <tr> <td>Z-25°C / Z+20°C</td> <td>5</td> <td>4</td> <td>3</td> <td>2</td> <td>2</td> <td>2</td> <td>2</td> <td>2</td> </tr> <tr> <td>Z-40°C / Z+20°C</td> <td>12</td> <td>10</td> <td>8</td> <td>5</td> <td>4</td> <td>3</td> <td>3</td> <td>3</td> </tr> </table>									U_R (V)	6.3	10	16	25	35	50	63	100	Z-25°C / Z+20°C	5	4	3	2	2	2	2	2	Z-40°C / Z+20°C	12	10	8	5	4	3	3	3
	U_R (V)	6.3	10	16	25	35	50	63	100																											
Z-25°C / Z+20°C	5	4	3	2	2	2	2	2																												
Z-40°C / Z+20°C	12	10	8	5	4	3	3	3																												
	<table border="1"> <tr> <td>U_R (V)</td> <td>160</td> <td>200</td> <td>250</td> <td>400</td> <td>450</td> <td></td> <td></td> <td></td> </tr> <tr> <td>Z-25°C / Z+20°C</td> <td>3</td> <td>3</td> <td>4</td> <td>8</td> <td>10</td> <td></td> <td></td> <td></td> </tr> </table> <p>Z-25°C / Z+20°C, 容量大于1000 μF者, 每增加1000 μF阻抗比增加0.5 For capacitance value > 1000 μF, Add 0.5 per another 1000 μF for Z-25°C / Z+20°C Z-40°C / Z+20°C, 容量大于1000 μF者, 每增加1000 μF阻抗比增加1.0 For capacitance value >1000 μF, Add 1.0 per another 1000 μF for Z-40°C / Z+20°C</p>									U_R (V)	160	200	250	400	450				Z-25°C / Z+20°C	3	3	4	8	10												
U_R (V)	160	200	250	400	450																															
Z-25°C / Z+20°C	3	3	4	8	10																															
耐久性 Load life	+85°C 加额定电压1000小时, 恢复16小时后: After applying rated voltage for 1000 hours at +85°C and then resumed 16 hours: 电容量变化率 Capacitance change : ±20% 初始测量值以内 Initial measured value 漏电流 Leakage current : ≤ 初始规定值 Initial specified value 损耗角正切值 Dissipation factor : ≤2倍 初始规定值 Initial specified value																																			
高温贮存 Shelf life	+85°C, 500小时贮存后, 恢复16小时后: After storage for 500 hours at +85°C and then resumed 16 hours 电容量变化率 Capacitance change : ±20% 初始测量值以内 Initial measured value 漏电流 Leakage current : ≤2倍 初始规定值 Initial specified value 损耗角正切值 Dissipation factor : ≤2倍 初始规定值 Initial specified value																																			

外形图及尺寸表 Case size table

单位Unit: mm



D	5	6	8	10	12	13	14	16	19	22
F	2	2.5	3.5	5.0			7.5		10	
d	0.5		0.5, 0.6	0.6			0.8			

α MAX	(L < 20) 1.5
	(L > 20) 2.0

β MAX	(D < 20) 0.5
	(D > 20) 1.0

■ 尺寸 DIMENSIONS

∅D × L(mm)

容量 C _R (μF)	代 码 Code	电压U _R								
		6.3V	10V	16V	25V	35V	50V	63V	100V	160V
		0J	1A	1C	1E	1V	1H	1J	2A	2C
0.1	0R1						5 × 11	5 × 11		
0.22	R22						5 × 11	5 × 11		
0.33	R33						5 × 11	5 × 11		
0.47	R47						5 × 11	5 × 11		
1	010						5 × 11	5 × 11	5 × 11	5 × 11
2.2	2R2						5 × 11	5 × 11	5 × 11	6 × 11
3.3	3R3				5 × 11		5 × 11	5 × 11	5 × 11	8 × 11
4.7	4R7			5 × 11	5 × 11	5 × 11	5 × 11	5 × 11	5 × 11	8 × 11
10	100			5 × 11	5 × 11	5 × 11	5 × 11	5 × 11	6 × 11	10 × 13
22	220		5 × 11	5 × 11	5 × 11	5 × 11	5 × 11 5 × 11	6 × 11	6 × 11	8 × 11
33	330	5 × 11	5 × 11	5 × 11	5 × 11	5 × 11	6 × 11	8 × 11	8 × 14	10 × 20
47	470	5 × 11	5 × 11	5 × 11	5 × 11	6 × 11	6 × 12	8 × 12	10 × 13	13 × 20
100	101	5 × 11	5 × 11	5 × 11 6 × 11	6 × 11	8 × 11	8 × 12	10 × 13	10 × 20	16 × 25
120	121				6 × 11					
150	151				8 × 11					
220	221	5 × 11	5 × 12 6 × 11	6 × 11	8 × 11	8 × 16 10 × 13	10 × 16	10 × 20	13 × 25	19 × 30
330	331	6 × 11	6 × 11	8 × 11	8 × 12	10 × 14	10 × 20	12 × 20	16 × 25	19 × 40
470	471	6 × 12	6 × 12 8 × 11	8 × 11	8 × 14 8 × 16	10 × 16	12 × 20	12 × 25 13 × 25	16 × 30	22 × 40
680	681		8 × 12							
1000	102	8 × 12	8 × 12	8 × 17 10 × 13	10 × 17 10 × 20	13 × 20	13 × 25 14 × 25	16 × 25	19 × 40	
1500	152	8 × 16	10 × 14	10 × 20			16 × 25			
2200	222	10 × 14	10 × 20	10 × 23 13 × 17	12 × 25 13 × 20	16 × 25	16 × 35 19 × 30	19 × 35	22 × 50	
3300	332	10 × 20	12 × 20	12 × 25	16 × 20 16 × 25	19 × 30	19 × 35	22 × 40		
4700	472	12 × 20	12 × 25	16 × 25	16 × 30	19 × 30 19 × 35 22 × 30	22 × 40 22 × 42	22 × 50		
6800	682	12 × 25	14 × 25	16 × 30	19 × 30	22 × 40	22 × 50			
10000	103	16 × 25	16 × 25	16 × 35	19 × 40	22 × 50				
15000	153	16 × 25	19 × 35	22 × 35	22 × 50					
22000	223	19 × 40	22 × 35	22 × 50						
33000	333	22 × 50	22 × 50							

∅D × L(mm)

容量 C _R (μF)	代 码 Code	电压U _R			
		200V	250V	400V	450V
		2D	2E	2G	2W
0.1	0R1				
0.22	R22				
0.33	R33				
0.47	R47	6 × 11	6 × 11		
1	010	6 × 11	6 × 11	8 × 12	8 × 12
2.2	2R2	6 × 11	6 × 11	10 × 12	10 × 12
3.3	3R3	6 × 11	8 × 12	10 × 12	10 × 16
4.7	4R7	8 × 12	8 × 12	10 × 16	10 × 20
10	100	10 × 12	10 × 16	13 × 20	13 × 20
22	220	10 × 20	13 × 20	16 × 25	16 × 25
33	330	13 × 20	13 × 20	16 × 30	16 × 35
47	470	13 × 20	13 × 25	16 × 35	19 × 40 22 × 30
100	101	16 × 30	16 × 30	22 × 40	22 × 40
220	221	19 × 35	18 × 40 22 × 30		
330	331	22 × 40	22 × 50		
470	471	22 × 50			