

Keysight N7015A, N7016A and N7017A Type-C Test Fixtures

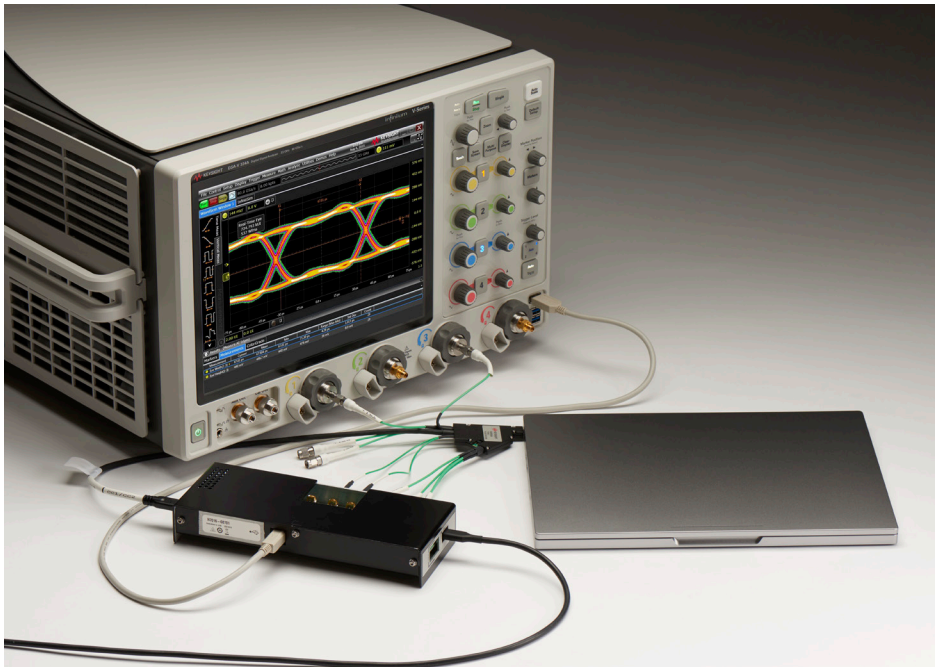
Data Sheet



Unlocking Measurement Insights

Industry's Highest Signal Integrity Type-C Fixture

- 20 GHz bandwidth (at -3 dB), de-embeddable up to 30 GHz
- Enables signal verification and debug of USB 3.1, DisplayPort 1.3, Thunderbolt 2/3
- Has test point and probing access for transmitter and power delivery measurements
- Provides the elements to seamlessly leverage the Keysight Technologies portfolio of compliance test applications
- Compatible with Infiniium 90000 X-Series, V-Series, Z-Series and discontinued Q-Series oscilloscopes



Industry's Highest Signal Integrity Type-C Fixture

Get the most accurate measurements with the best signal integrity

The N7015A Type-C high-speed test fixture provides best-in-class performance up to 30 GHz of de-embeddable bandwidth, enabling signal verification and debug of USB 3.1 Gen 2 designs and other high-speed signal standards to support the Type-C connector.

The N7015A Type-C high-speed test fixture breaks out four differential lanes of high-speed protocol signals to an oscilloscope, and passes low-speed power and control lines to a secondary fixture (N7016A Type-C low-speed signal access and control fixture) for monitoring and control. The flexible fixture combination enables signal accessibility and probing to a Type-C design that has a receptacle (for example, a USB 3.1 upstream or downstream facing port). The N7016A low-speed fixture manages power and control lines from the N7015A to support termination requirements and test configuration as well as connection to a power delivery controller.

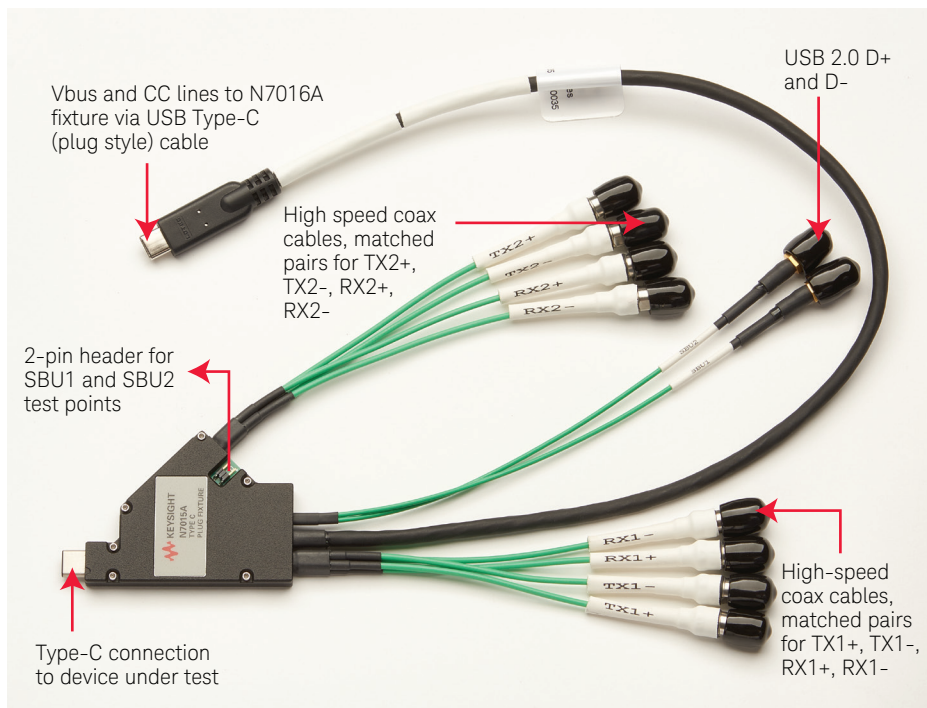


Figure 1. N7015A Type-C high-speed fixture.

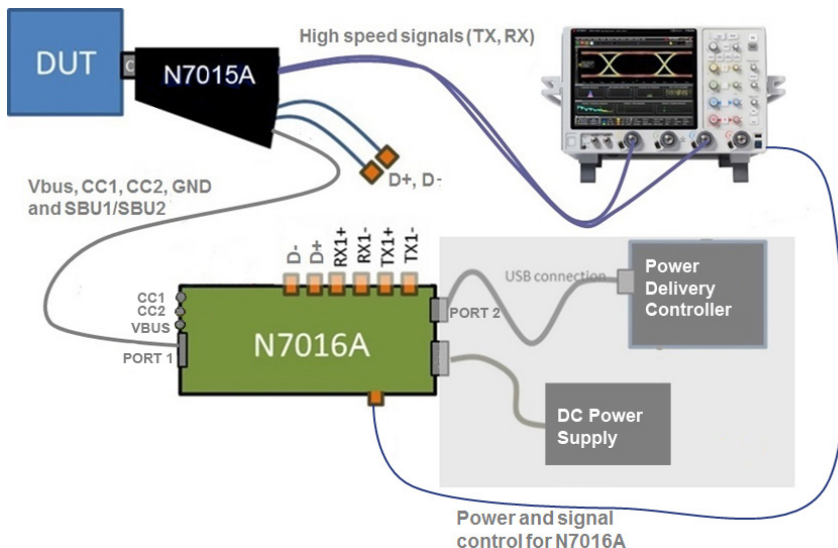


Figure 2. High-level test setup for Type-C connector.

As data rates increase, the effects of test fixtures and cabling during testing become a significant source of signal loss and impair accurate measurement of device performance. So, for accurate signal characterization in many high-speed compliance tests, de-embedding techniques are used to removing the effects of a test fixture from measurements to obtain the actual performance of the DUT. Best performance in overcoming the losses is achieved when the channel (in this case, the test fixture) is designed with minimum loss and care is taken in the characterization of the fixture through measurement of S-parameters. The N7015A is designed for the best signal integrity, and S-parameter models are available from Keysight that can be used in Keysight's Infiniium baseline software and industry's broadest portfolio of compliance test applications, including USB, DisplayPort, and Thunderbolt.

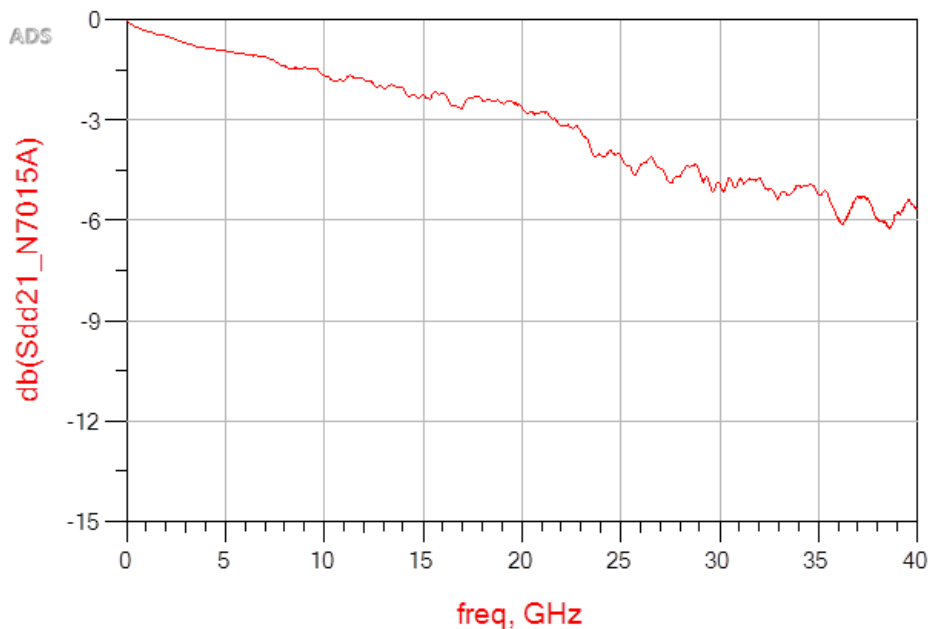


Figure 3. N7015A insertion loss (22 GHz at -3 dB).

Protect your investment with a robust and usable solution

The N7015A fixture is reversible, when used in conjunction with the N7016A, meaning the plug can be flipped 180 degrees and will still allow testing, without any damage or error. Its unique design allows two fixtures to be used side-by-side and/or top-to-bottom. Whether connected side-by-side or stacked, the fixtures meet the minimum spacing allowed for in the specification. Durable fixture design ensures multiple connections and disconnections without failure in an active test environment.

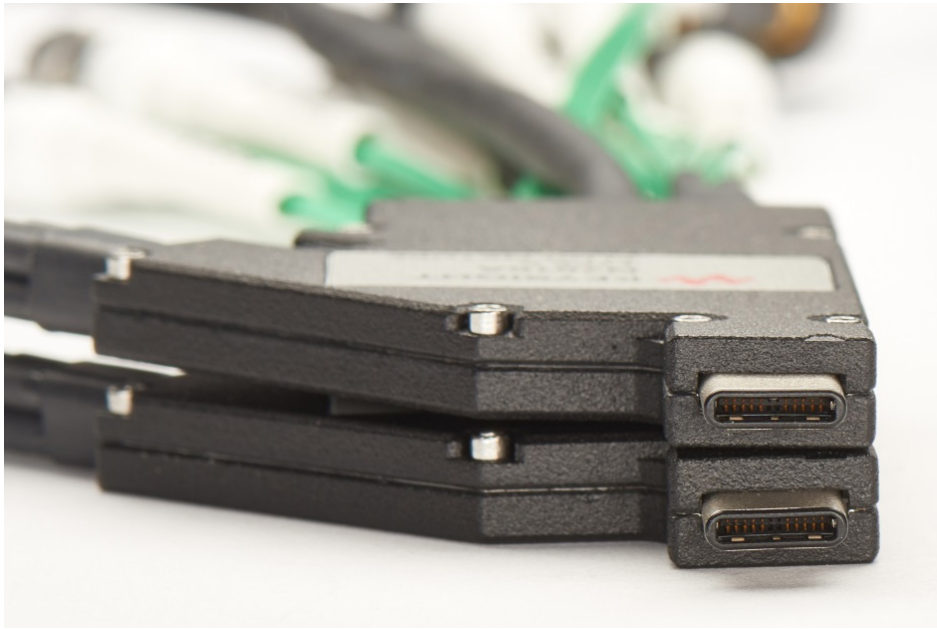


Figure 4. N7015A comes with a form factor to fit two fixtures top-to-bottom.

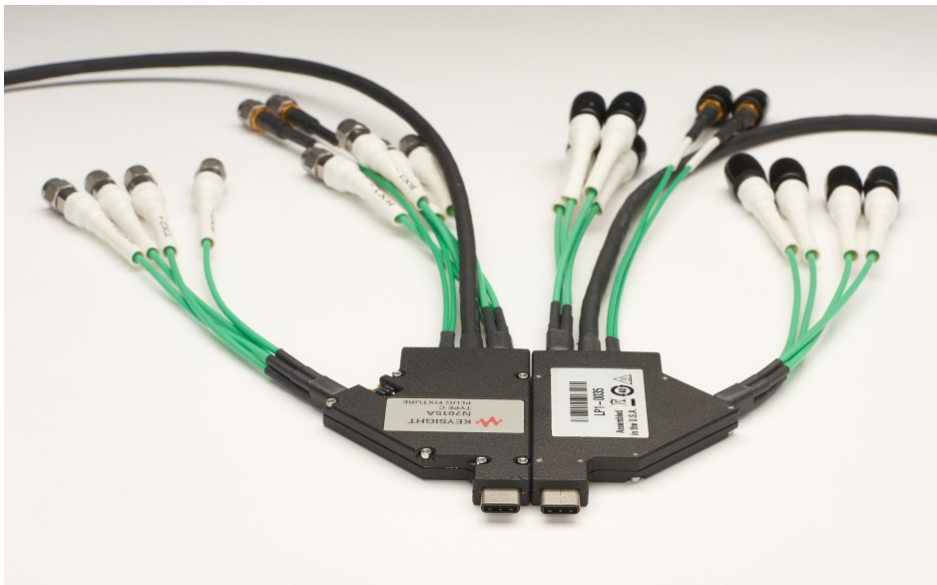


Figure 5. N7015A comes with a form factor to fit two fixtures side-by-side.

N7016A Type-C low-speed fixture for power and control signal analysis

The N7016A Type-C low-speed signal access and control fixture is connected to the N7015A through a captive Type-C cable, conveying CC1, CC2, SBU1, SBU2, Vbus, and ground signals. It allows the breakout of Type-C signals from USB devices for system diagnosis and control, and it also allows for CC1, CC2 and Vbus signal probing with a high-impedance passive probe for in-depth signal analysis. The N7016A enables termination control for cable-only connection or to simulate upstream or downstream devices. It can simultaneously flip the connection electronically (i.e. change the active USB 3.1 high-speed port) and break out Vbus for driving with power controller or external supply. It can also load VConn to simulate system environment.

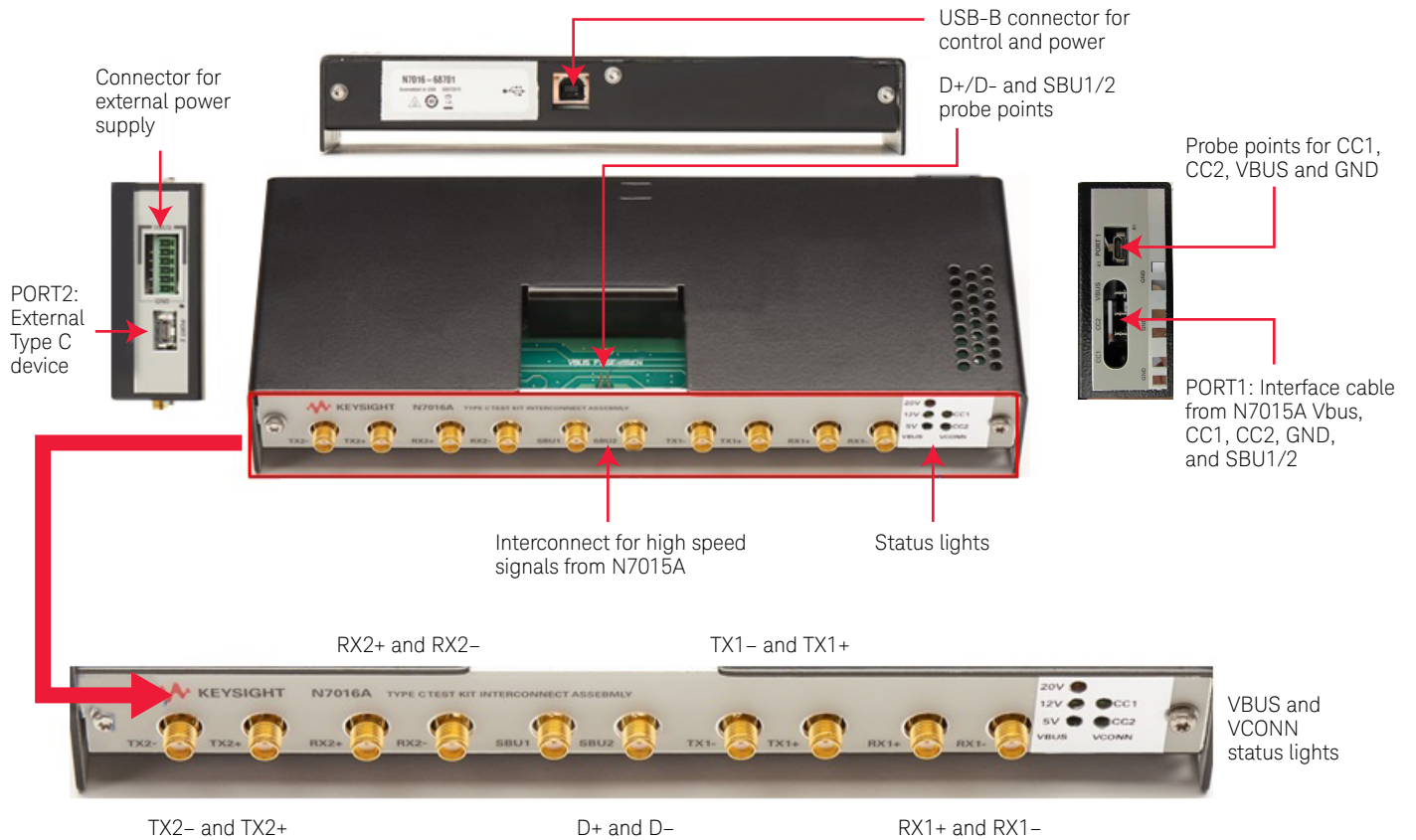


Figure 6. N7016A Type-C low-speed fixture.



Figure 7. The CC1, CC2 and Vbus signals can be conveniently probed from the N7016A using a Keysight passive probe.

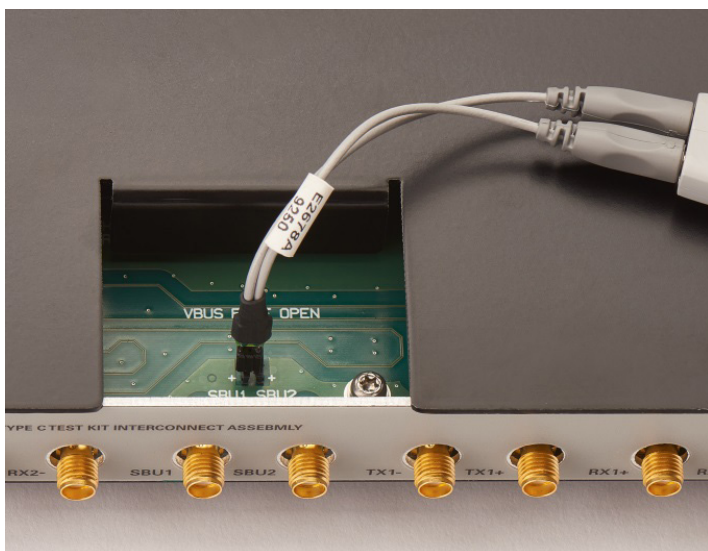


Figure 8. Use the E2678B socketed head with InfiniiMax I/II probe amp to probe D+/D- signals.



Figure 9. Use an external power supply to supply extended power (up to 5 A, 20 V) to the USB device. A power supply plug connector is included in the N7016A kit.

The N7016A Type-C low-speed test fixture requires the installation of a software controller to operate. The free controller software offered with the N7016A can be installed on a PC or the Infiniium oscilloscope itself for convenience. The controller software is downloadable from <http://www.keysight.com/main/software.aspx?ckey=2674876&lc=eng&cc=US&nid=-33524.1140138&id=2674876>.

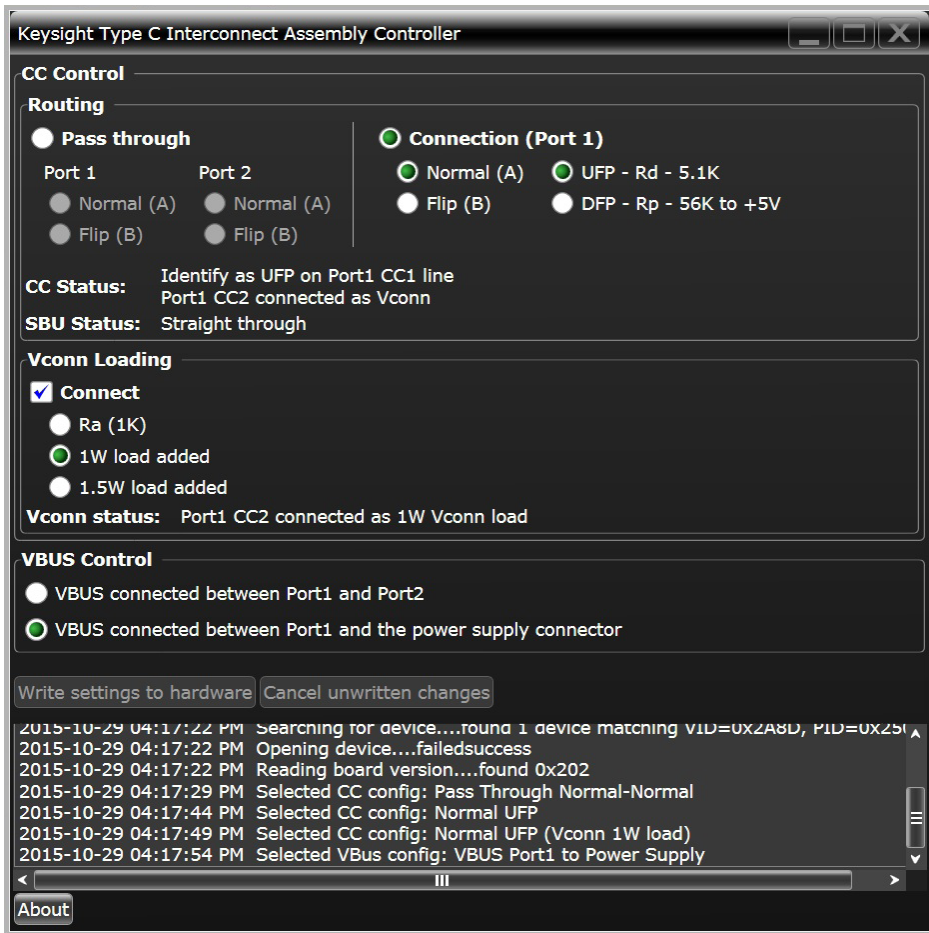


Figure 10. The controller software enables you to route CC lines with or without loading and Vbus through the interconnect assembly.

Reduce test time with a configurable system

The N7015A/N7016A Type-C fixture solution can be a fully-automated power delivery management system with a third-party power delivery controller.

Receptacle adapter

The N7015A test fixture comes with a plug style Type-C connector that allows it to connect only to a USB host/device with a receptacle connector. With the use of the N7017A receptacle adapter, the N7015A test fixture can act as a receptacle fixture that allows it connect to a USB device with a plug connector such as a thumb drive. The receptacle Type-C fixture can be used to test tethered USB devices (such as USB memory stick), DP sink calibration/test or for RX signal validation or calibration.



Figure 11. With the use of the N7017A receptacle adapter, the N7015A test fixture can act as a receptacle fixture.

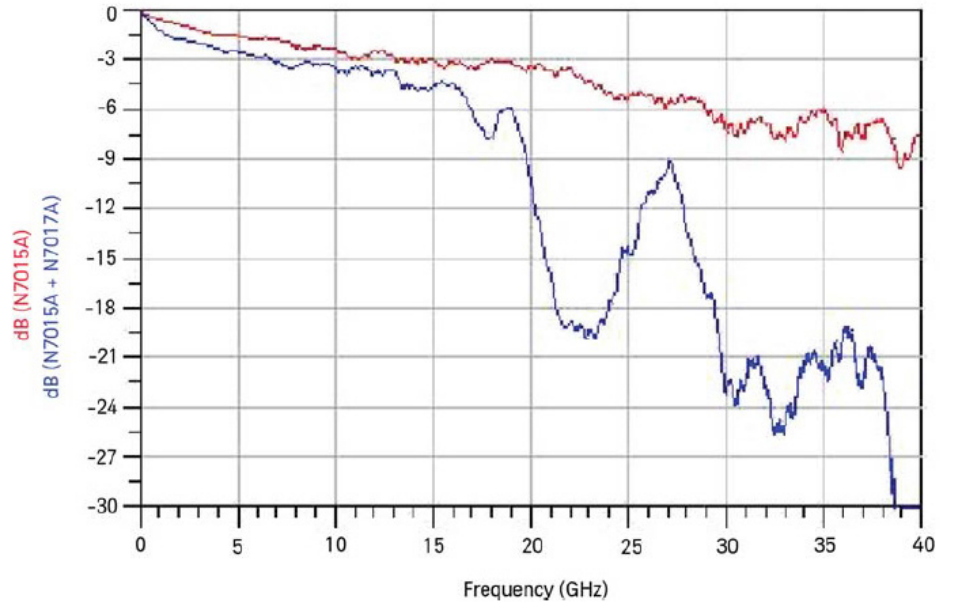


Figure 12. Insertion loss of the N7015A (red) and N7015.A with N7017A adapter used (blue).

Environmental and safety characteristics

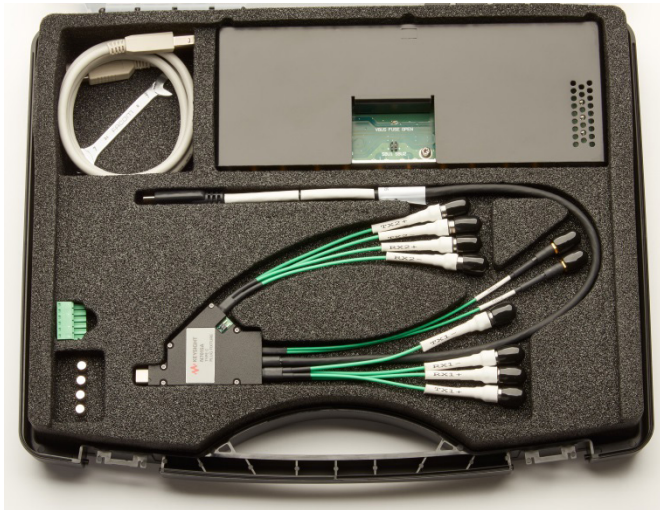
Temperature	Operating: 0 to +55 °C Non-operating: -40 to +70 °C
Humidity	Operating: Up to 95% RH at or below +40 °C; up to 80% RH up to +65 °C Non-operating: Up to 90% RH up to 65 °C
Altitude	Operating: Up to 4,600 m (15,000 ft) Non-operating: 4,600 m
Safety	IEC 61010-1:2010 / EN 61010-1:2010 (3rd Edition)

Ordering Information

Model numbers	Description
N7015A	Type-C high-speed test fixture, includes wrench
N7015A-016	N7016A low-speed signal access and control fixture (discounted if purchased with N7015A)
N7017A-017	N7017A Type-C receptacle adapter (discounted if purchased with N7015A)
N7016A	Type-C low-speed signal access and control fixture, includes USB cable, replacement fuses (x4), and power supply plug connector
N7017A	Type-C receptacle adapter

Other Recommended Probes and Accessories

Model numbers	Description
1130A	InfiniiMax 1130A 1.5 GHz probe amplifier
E2678B	Socketed probe head for InfiniiMax I/II amp
N2871A	200 MHz 10:1 passive probe
N2823A	Cable assembly, coax phase matched pair, 1 m, 2.92 mm (m) to 2.92 mm (m)
N5448B	Cable assembly, coax phase matched pair, 25 cm, 2.92 mm (m) to 2.92 mm (m)
11904B	Test port adapter for connecting 2.4 mm (m) to 2.92 mm (m)
11742A	DC blocking capacitor
83059B	Coax connector saver adapter, 3.5 mm (f) to 3.5 mm (f)
N2787A	3D probe positioner
8710-1765	Torque wrench, 8 lbs, 5/16 inch (for connecting N7015A to the scope input)





www.axistandard.org

AdvancedTCA® Extensions for Instrumentation and Test (AXIe) is an open standard that extends the AdvancedTCA for general purpose and semiconductor test. The business that became Keysight was a founding member of the AXIe consortium. ATCA®, AdvancedTCA®, and the ATCA logo are registered US trademarks of the PCI Industrial Computer Manufacturers Group.



www.lxistandard.org

LAN eXtensions for Instruments puts the power of Ethernet and the Web inside your test systems. The business that became Keysight was a founding member of the LXI consortium.

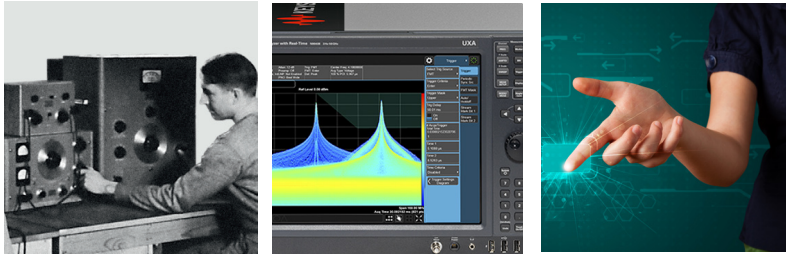


www.pxisa.org

PCI eXtensions for Instrumentation (PXI) modular instrumentation delivers a rugged, PC-based high-performance measurement and automation system.

Evolving

Our unique combination of hardware, software, support, and people can help you reach your next breakthrough. **We are unlocking the future of technology.**



From Hewlett-Packard to Agilent to Keysight



myKeysight

myKeysight
www.keysight.com/find/mykeysight
 A personalized view into the information most relevant to you.

Keysight Infoline

Keysight Infoline

www.keysight.com/find/Infoline
 Keysight's insight to best in class information management. Free access to your Keysight equipment company reports and e-library.

KEYSIGHT SERVICES

Keysight Services
www.keysight.com/find/service
 Our deep offering in design, test, and measurement services deploys an industry-leading array of people, processes, and tools. The result? We help you implement new technologies and engineer improved processes that lower costs.



Three-Year Warranty
www.keysight.com/find/ThreeYearWarranty
 Keysight's committed to superior product quality and lower total cost of ownership. Keysight is the only test and measurement company with three-year warranty standard on all instruments, worldwide. And, we provide a one-year warranty on many accessories, calibration devices, systems and custom products.



Keysight Assurance Plans
www.keysight.com/find/AssurancePlans
 Up to ten years of protection and no budgetary surprises to ensure your instruments are operating to specification, so you can rely on accurate measurements.

Keysight Channel Partners
www.keysight.com/find/channelpartners
 Get the best of both worlds: Keysight's measurement expertise and product breadth, combined with channel partner convenience.

www.keysight.com/find/USBTypeC

For more information on Keysight Technologies' products, applications or services, please contact your local Keysight office. The complete list is available at: www.keysight.com/find/contactus

Americas

Canada (877) 894 4414
 Brazil 55 11 3351 7010
 Mexico 001 800 254 2440
 United States (800) 829 4444

Asia Pacific

Australia 1 800 629 485
 China 800 810 0189
 Hong Kong 800 938 693
 India 1 800 11 2626
 Japan 0120 (421) 345
 Korea 080 769 0800
 Malaysia 1 800 888 848
 Singapore 1 800 375 8100
 Taiwan 0800 047 866
 Other AP Countries (65) 6375 8100

Europe & Middle East

Austria 0800 001122
 Belgium 0800 58580
 Finland 0800 523252
 France 0805 980333
 Germany 0800 6270999
 Ireland 1800 832700
 Israel 1 809 343051
 Italy 800 599100
 Luxembourg +32 800 58580
 Netherlands 0800 0233200
 Russia 8800 5009286
 Spain 800 000154
 Sweden 0200 882255
 Switzerland 0800 805353
 Opt. 1 (DE)
 Opt. 2 (FR)
 Opt. 3 (IT)
 United Kingdom 0800 0260637

For other unlisted countries:
www.keysight.com/find/contactus
 (BP-06-08-16)



www.keysight.com/go/quality
 Keysight Technologies, Inc.
 DEKRA Certified ISO 9001:2015
 Quality Management System