


Features:

- Universal AC input range(85~264Vac)
- Support 1+1 or N+1 redundant system (suggest to use redundancy modules.)
- Built-in active PFC,PF>0.95
- High efficiency up to 94%
- Built-in current sharing function
- Built-in current limiting circuit
- Output protections: OVP/OLP/SCP/OTP
- Wide operating ambient temp (-25℃~70℃)
- 150%(360W) peak load capacity
- Easy Fuse Tripping due to High Overload Current
- Excellent Partial Load Efficiency
- Built-in DC OK relay contact
- Can be installed on TS-35/7.5 or TS-35/15
- 100% full load burn-in test
- Suitable for critical applications
- Ultra-slim,45mm width
- 3 years warranty

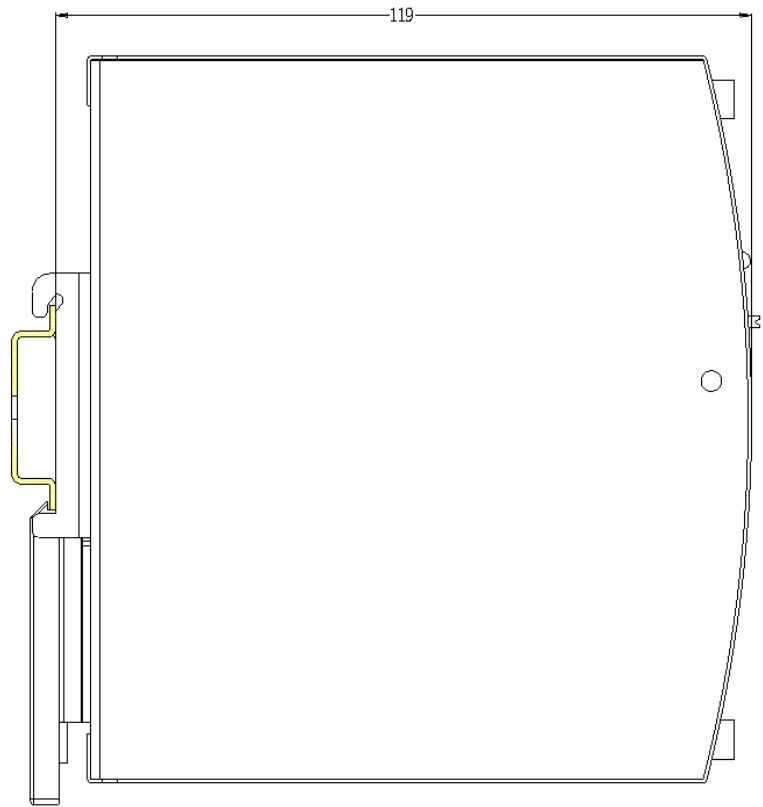
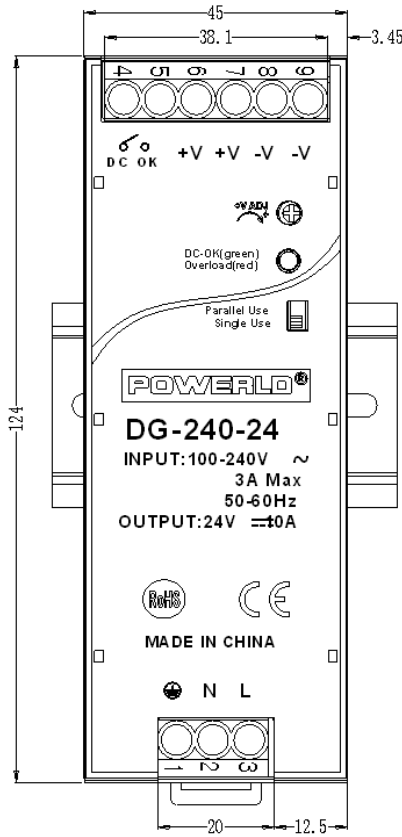
SPECIFICATION

MODEL		DG-240-24		
OUTPUT	DC Output	24V		
	Rated Current	10A		
	Current Range	Note 1	0~10A	
	Ripple and Noise	0~70℃	≤240mV	
		Note 2 -25℃	≤480mV	
	Voltage ADJ. Range	24~28V		
	Voltage Accuracy	±3.0%		
	Line Regulation	±0.5%		
	Load Regulation	±1.0%		
	Set-up Time	<3S@230Vac		
	Hold up Time	≥20mS(230Vac input, Full load)		
	Temperature Coefficient	±0.03%/℃		
	Overshoot and Undershoot	<5.0%		
INPUT	Voltage Range	85Vac~264Vac		
	Frequency Range	47Hz~63Hz		
	Power Factor (typical)	0.99/110Vac	0.95/230Vac	
	Efficiency (Typical)	94%		
	AC Current (max.)	<3.0 A/100Vac	<1.5A/230Vac	
	Inrush Current (Typical)	<20A/110Vac	<40A/230Vac Cold start	
	Leakage Current	Input—output:<0.25mA	Input—PG:<3.5mA	
PROTECTION	Over Load	120%~150% of rated current, Constant current limiting for some time, if load between 120%~150%, ≥ 3S,hiccup mode, auto recovery; if load ≥ 150%, ≤3S, constant current.		
	Over voltage	29~33V, constant voltage, Auto recovery		
	Over temperature	105±5℃, detect on heat sink of power transistor; shut down O/P, auto recovery after temperature goes down.		
	Short Circuit	Long-term mode, auto recovery		
ENVIRONMENT	Operating amb. Temp. & Hum.	-25℃~70℃; 20%~90%RH No condensing		
	Storage Temp. & Hum.	-40℃~85℃; 5%~95%RH No condensing		
SAFETY & EMC Note 3	Safety Standards	meet UL508, UL60950, EN60950		
	Withstand Voltage	Primary-Secondary:3.0KVac; ≤10mA .Primary-PG:2.5KVac; ≤10mA. Secondary-PG:0.5KVac≤20mA.		
	Isolation Resistance	≥100M ohms		
	EMC Emission	Compliance to EN55022, EN55024, FCC PART 15 Class B		
	Harmonic Current	Compliance to EN61000-3-2, CLASS A		
OTHERS	EMC Immunity	Compliance to EN61000-4-2,3,4,5,6,8,11; heavy industry level		
	MTBF (MIL-HDBK-217F)	More than 300,000Hrs (25℃, Full load)		
	Dimension (L*W*H)	45*124*119mm		

	Packing	24pcs/CTN, 21Kgs/CTN, 0.045cbm
	Cooling method	Cooling by free air convection
Additional function	Power boost	150% of rated current
	Parallel function	support
NOTE	<p>1. All parameters NOT specially mentioned are measured at rated input, rated load and 25°C of ambient temperature.</p> <p>2. Measured at 20MHz of bandwidth by using a 12" twisted pair-wire terminated with a 0.1 uF & 10uF parallel capacitor.</p> <p>3. The SPS is considered a component which will be installed into final equipment. The equipment must be re-confirmed that it still meets EMC directives.</p>	

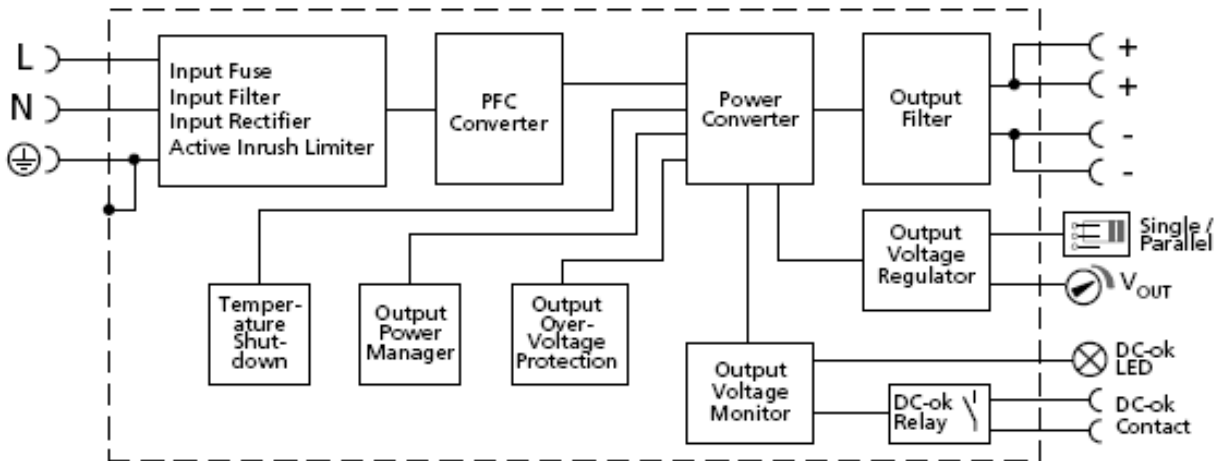
Mechanical Specification

Unit: mm



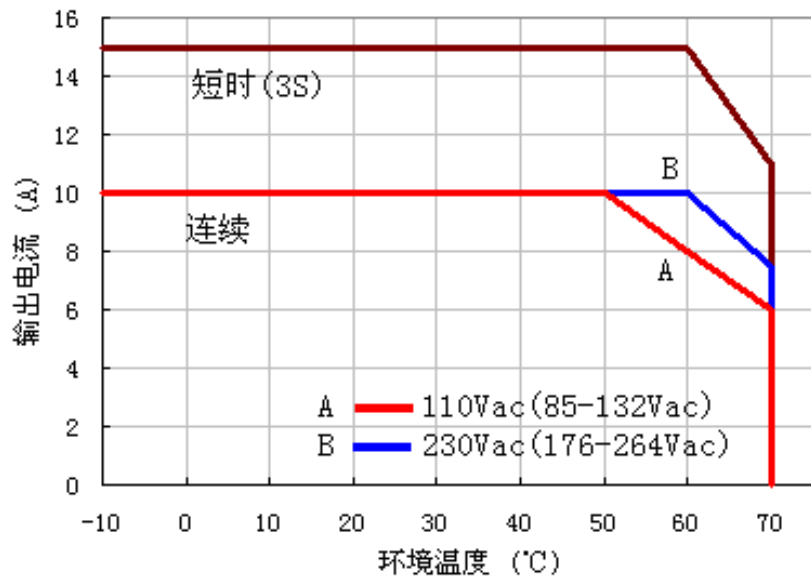
Block Diagram

Fig. 11-1 Functional diagram



Derating Curve

图6-2 输出电流VS环境温度 @ 额定输出电压



- short time working,3S
- continuous working