

60x60x10mm RS6010 Series



外框材质:环保防火PBT
Frame:Thermoplastic PBT UL94-V0
扇叶材质:环保防火PBT
Impeller:Thermoplastic PBT UL94-V0
轴承结构:双滚珠或长寿命含油结构
Bearing system:2Ball or Long life sleeve
单体风扇重量:26g
Unit Weight:26g

可选的功能参照列表 (Available Functions)

1.马达保护(Motor protection)

RP	SS	AS	CL
<input type="checkbox"/>	<input type="checkbox"/>	<input type="checkbox"/>	<input type="checkbox"/>

2.信号输出(Signal output)

FG	RD	RD	LD
<input type="checkbox"/>	<input type="checkbox"/>	<input type="checkbox"/>	<input type="checkbox"/>

3.调速方式(Speed control mode)

PWM	TP	VC	RC	CS
<input type="checkbox"/>	<input type="checkbox"/>	<input type="checkbox"/>	<input type="checkbox"/>	<input type="checkbox"/>

Part Number	Voltage(V)	Current(A)	Power(W)	Speed(RPM)	Air flow(Q)	Pressure(P)	Noise(dBA)
产品编号	电压范围	额定电流	功率	转速	(CFM) 风量	(mmAq)风压	(In H ₂ O) 噪音
RS6010x05L	5(4~6)	0.15	0.75	2500	13.17	0.37	21.6
RS6010x05M		0.27	1.35	3000	15.70	0.44	24.0
RS6010x12H		0.34	1.7	3500	18.23	0.52	26.7
RS6010x12L	12(7~14)	0.06	0.72	2500	13.17	0.37	21.6
RS6010x12M		0.11	1.32	3000	15.70	0.44	24.0
RS6010x12H		0.14	1.68	3500	18.23	0.52	26.7
RS6010x12VH	24(15~27)	0.18	2.16	4000	20.76	0.59	29.2
RS6010x24M		0.55	13.2	3000	15.31	0.43	24.0
RS6010x12H		0.07	1.68	3500	17.80	0.50	26.7
RS6010x12VH		0.09	2.16	4000	20.76	0.59	29.2

★ 如果您需要的转速或电压或功能不在这份清单上, 请与我们联系。
If you want another rpm or voltage or functions which one is not in the list, please contact with our sales.

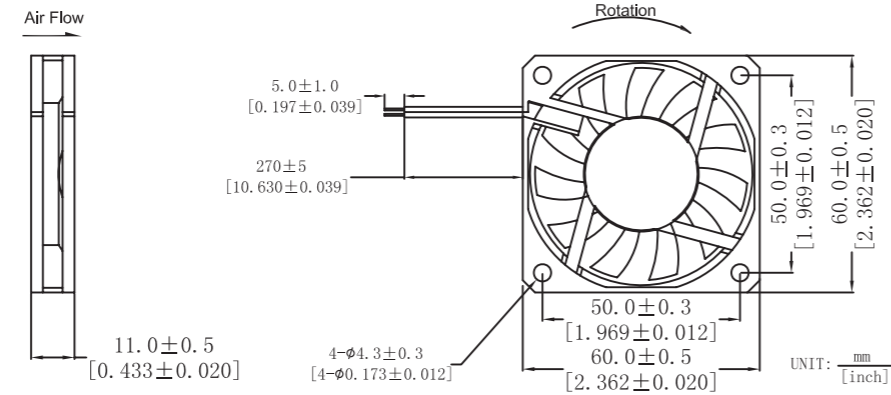
★ 提示1:功能的具体信息参照产品目录前页篇章。
Notes1:The catalog have detail information in the front page for the functions.

★ 提示2:产品详细信息请参照承认书。
Notes2:Product have a detail in the approval sheet.

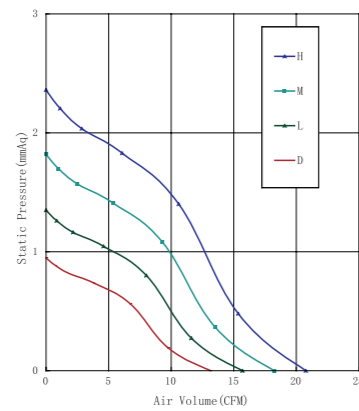
★ 提示3:产品规格变更不另行通知。
Notes3:Specifications are subject to change without notice.

★ 提示4:调速方式只能制作12V机型。
Note4:Speed control mode only for 12V products.

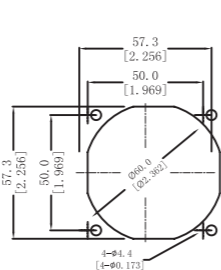
DIMENSIONS DRAWING



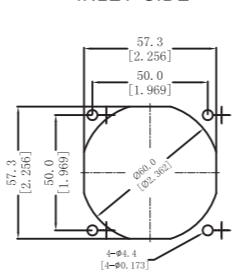
Fan Performance Curve



OUTLET SIDE



INLET SIDE



60x60x15mm RS6015 Series



外框材质:环保防火PBT
Frame:Thermoplastic PBT UL94-V0
扇叶材质:环保防火PBT
Impeller:Thermoplastic PBT UL94-V0
轴承结构:双滚珠或长寿命含油结构
Bearing system:2Ball or Long life sleeve
单体风扇重量:28g
Unit Weight:28g

可选的功能参照列表 (Available Functions)

1.马达保护(Motor protection)

RP	SS	AS	CL
<input type="checkbox"/>	<input type="checkbox"/>	<input type="checkbox"/>	<input type="checkbox"/>

2.信号输出(Signal output)

FG	RD	RD	LD
<input type="checkbox"/>	<input type="checkbox"/>	<input type="checkbox"/>	<input type="checkbox"/>

3.调速方式(Speed control mode)

PWM	TP	VC	RC	CS
<input type="checkbox"/>	<input type="checkbox"/>	<input type="checkbox"/>	<input type="checkbox"/>	<input type="checkbox"/>

Part Number	Voltage(V)	Current(A)	Power(W)	Speed(RPM)	Air flow(Q)	Pressure(P)	Noise(dBA)
产品编号	电压范围	额定电流	功率	转速	(CFM) 风量	(mmAq)风压	(In H ₂ O) 噪音
RS6015x05D	5(4~5.5)	0.29	1.45	3000	11.43	0.32	29.2
RS6015x05L		0.36	1.8	3500	16.66	0.47	30.0
RS6015x05M		0.46	2.3	4000	18.97	0.54	31.5
RS6015x12D	12(7~14)	0.12	1.44	3000	11.43	0.32	29.2
RS6015x12L		0.15	1.8	3500	16.66	0.47	30.0
RS6015x12M		0.19	2.28	4000	18.97	0.54	31.5
RS6015x12H	24(15~27)	0.21	2.52	4500	21.29	0.60	34.5
RS6015x12VH		0.23	2.76	5000	23.60	0.67	35.6
RS6015x12SH		0.28	3.36	5500	25.91	0.73	38.0
RS6015x24L	24(15~27)	0.075	1.8	3500	16.66	0.47	30.0
RS6015x24M		0.1	2.4	4000	18.97	0.54	31.5
RS6015x24H		0.11	2.64	4500	21.29	0.60	34.5
RS6015x24VH		0.12	2.88	5000	23.60	0.67	35.6
RS6015x24SH		0.14	3.36	5500	25.91	0.73	38.0

★ 如果您需要的转速或电压或功能不在这份清单上, 请与我们联系。
If you want another rpm or voltage or functions which one is not in the list, please contact with our sales.

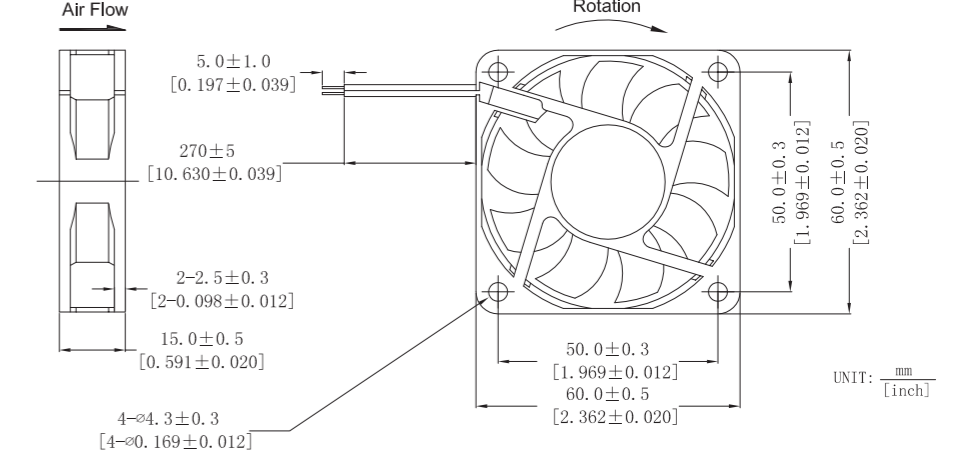
★ 提示1:功能的具体信息参照产品目录前页篇章。
Notes1:The catalog have detail information in the front page for the functions.

★ 提示2:产品详细信息请参照承认书。
Notes2:Product have a detail in the approval sheet.

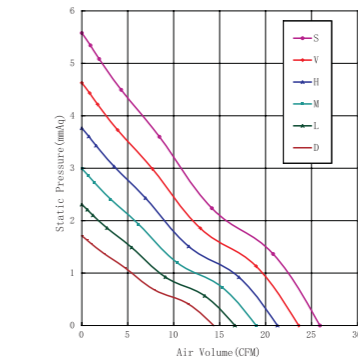
★ 提示3:产品规格变更不另行通知。
Notes3:Specifications are subject to change without notice.

★ 提示4:调速方式只能制作12V机型。
Note4:Speed control mode only for 12V products.

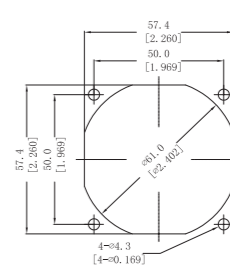
DIMENSIONS DRAWING



Fan Performance Curve



OUTLET SIDE



INLET SIDE

