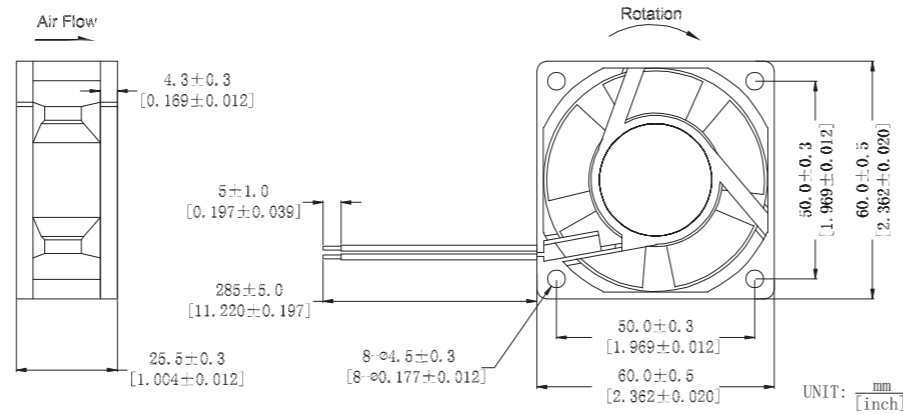


### 60x60x25mm RD6025Series



外框材质:环保防火PBT  
Frame:Thermoplastic PBT UL94-V0  
扇叶材质:环保防火PBT  
Impeller:Thermoplastic PBT UL94-V0  
轴承结构:双滚珠或长寿命含油结构  
Bearing system:2Ball or Long life sleeve  
单体风扇重量:55g  
Unit Weight:55g

DIMENSIONS DRAWING



#### 可选的功能参照列表 (Available Functions)

1. 马达保护(Motor protection)

RP	SS	AS	CL
●	●	●	●

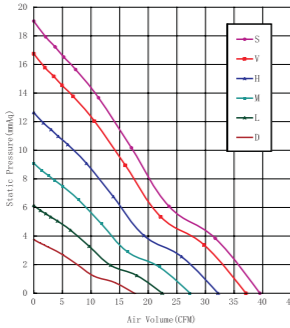
2. 信号输出(Signal output)

FG	RD	RD	LD
●	●	●	●

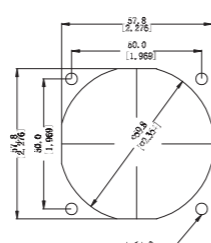
3. 调速方式(Speed control mode)

PWM	TP	VC	RC	CS
●	●	●	●	●

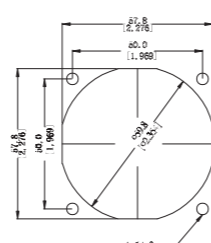
Fan Performance Curve



OUTLET SIDE



INLET SIDE



Part Number	Voltage(V)	Current(A)	Power(W)	Speed(RPM)	Air flow(Q)	Pressure(P)	Noise(dBA)
产品编号	电压范围	额定电流	功率	转速	(CFM) 风量	(mmAq)风压 (In H <sub>2</sub> O)	噪音
RD6025x12D	12(7~14)	0.09	1.08	3500	17.07	0.48	30.8
RD6025x12L		0.15	1.8	4500	21.94	0.62	35.2
RD6025x12M		0.21	2.52	5500	26.82	0.76	39.5
RD6025x12H		0.32	3.84	6500	31.70	0.90	46.3
RD6025x12VH		0.31	3.72	7500	36.58	1.04	49.5
RD6025x12SH	0.36	4.32	8000	39.02	1.10	50.9	
RD6025x24D	24(15~27)	0.05	1.2	3500	17.07	0.48	30.8
RD6025x24L		0.075	1.8	4500	21.94	0.62	35.2
RD6025x24M		0.11	2.64	5500	26.82	0.76	39.5
RD6025x24H		0.16	3.84	6500	31.70	0.90	46.3
RD6025x24VH		0.16	3.84	7500	36.58	1.04	49.5
RD6025x24SH	0.18	4.32	8000	39.02	1.10	50.9	
RD6025x48D	48(35~57)	0.025	1.2	3500	17.07	0.48	30.8
RD6025x48L		0.038	1.824	4500	21.94	0.62	35.2
RD6025x48M		0.055	2.64	5500	26.82	0.76	39.5
RD6025x48H		0.08	3.84	6500	31.70	0.90	46.3
RD6025x48VH		0.08	3.84	7500	36.58	1.04	49.5
RD6025x48SH	0.09	4.32	8000	39.02	1.10	50.9	

★ 如果您需要的转速或电压或功能不在这份清单上, 请与我们联系。  
If you want another rpm or voltage or functions which one is not in the list, please contact with our sales.

★ 提示1:功能的具体信息参照产品目录前页篇章。  
Notes1:The catalog have detail information in the front page for the functions.

★ 提示2:产品详细信息请参照承认书。  
Notes2:Product have a detail in the approval sheet.

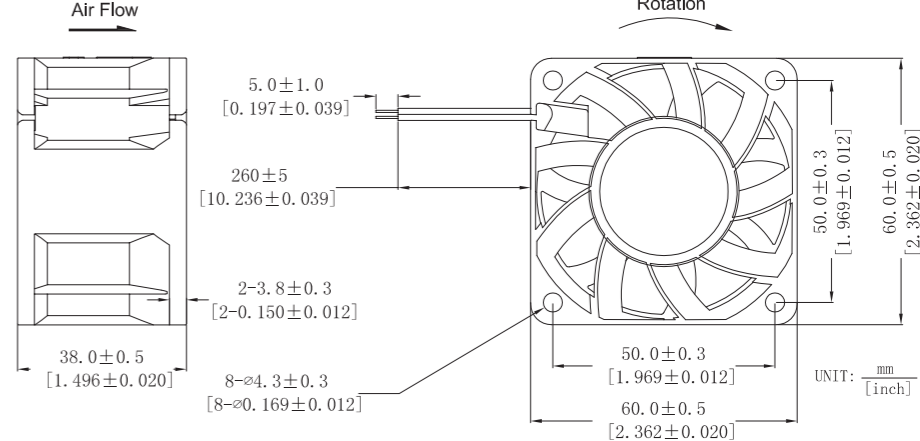
★ 提示3:产品规格变更不另行通知。  
Notes3:Specifications are subject to change without notice.

### 60x60x38mm RD6038 Series



外框材质:环保防火PBT  
Frame:Thermoplastic PBT UL94-V0  
扇叶材质:环保防火PBT  
Impeller:Thermoplastic PBT UL94-V0  
轴承结构:双滚珠或长寿命含油结构  
Bearing system:2Ball or Long life sleeve  
单体风扇重量:106g  
Unit Weight:106g

DIMENSIONS DRAWING



#### 可选的功能参照列表 (Available Functions)

1. 马达保护(Motor protection)

RP	SS	AS	CL
●	●	●	●

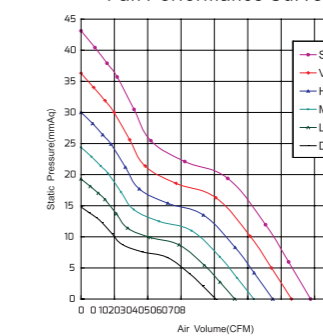
2. 信号输出(Signal output)

FG	RD	RD	LD
●	●	●	●

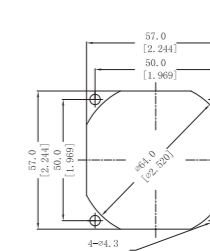
3. 调速方式(Speed control mode)

PWM	TP	VC	RC	CS
●	●	●	●	●

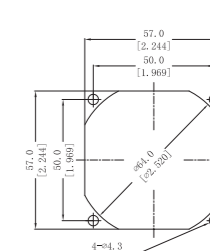
Fan Performance Curve



OUTLET SIDE



INLET SIDE



Part Number	Voltage(V)	Current(A)	Power(W)	Speed(RPM)	Air flow(Q)	Pressure(P)	Noise(dBA)
产品编号	电压范围	额定电流	功率	转速	(CFM) 风量	(Mmaq)风压 (In H <sub>2</sub> O)	噪音
RD6038x12D	12(7~14)	0.40	4.8	7000	40.40	1.14	53.8
RD6038x12L		0.60	7.2	8000	46.10	1.30	56.7
RD6038x12M		0.65	7.8	9000	51.80	1.47	58.5
RD6038x12H		1.00	12	10000	57.50	1.63	61.0
RD6038x12VH		1.30	15.6	11000	63.10	1.79	63.8
RD6038x12SH	1.70	20.4	12000	68.80	1.95	68.2	
RD6038x24D	24(15~27)	0.20	4.8	7000	40.40	1.14	53.8
RD6038x24L		0.30	7.2	8000	46.10	1.30	56.7
RD6038x24M		0.32	7.68	9000	51.80	1.47	58.5
RD6038x24H		0.50	12	10000	57.50	1.63	61.0
RD6038x24VH		0.65	15.6	11000	63.10	1.79	63.8
RD6038x24SH	0.85	20.4	12000	68.80	1.95	68.2	

★ 如果您需要的转速或电压或功能不在这份清单上, 请与我们联系。  
If you want another rpm or voltage or functions which one is not in the list, please contact with our sales.

★ 提示1:功能的具体信息参照产品目录前页篇章。  
Notes1:The catalog have detail information in the front page for the functions.

★ 提示2:产品详细信息请参照承认书。  
Notes2:Product have a detail in the approval sheet.

★ 提示3:产品规格变更不另行通知。  
Notes3:Specifications are subject to change without notice.