

SUBRACK SYSTEM



01G-2



01G-2



01G-2(7U)



01G-5

Available size

Height/Width Chart of 01G-2

Exterior size			Interior size		Panel size	Panel mounting size
Overall height	Case width	Overall width	Inside Height	Inside Width		
H	W(mm)	L	h(mm)	l(mm)	B(mm) × A(mm)	m(mm)
2U	448	19"	68	432	426.8 × 85.5	78
3U	448	19"	113	432	426.8 × 130.5	123
4U	448	19"	157	432	426.8 × 174.5	167
5U	448	19"	202	432	426.8 × 219.5	212
6U	448	19"	246	432	426.8 × 263.5	256
7U	448	19"	291	432	426.8 × 308.5	301
8U	448	19"	335	432	426.8 × 352.5	345
9U	448	19"	380	432	426.8 × 397.5	390

Depth Chart of 01G-2

Overall Depth	T(mm)	180	240	300	320	360
Interior Depth	t(mm)	174	234	294	314	354

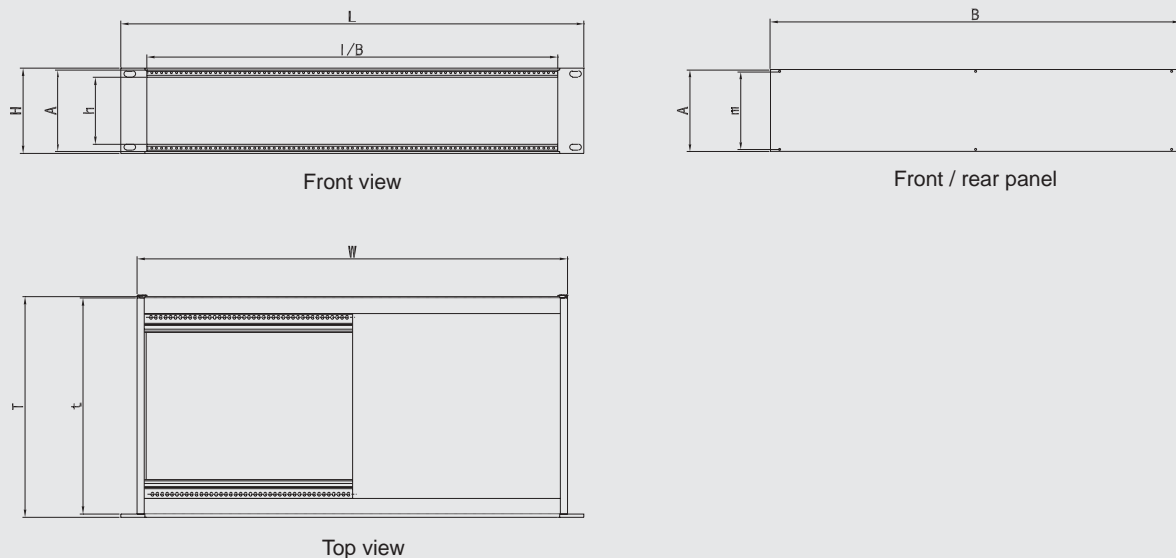
Note: Custom the overall depth and the overall height available upon request

The dimensions shown in the table are only for reference (maybe exist $\pm 0.5\text{mm}$ dimensions variation)

The inside width is the same as the length of the horizontal rail

Refer to the following drawing for the definition of enclosure size

Drawing



Height/Width Chart of 01G-5

Exterior size				Interior size		Panel size
Overall height	Case height	Case width	Overall width	Inside Height	Inside Width	
H	H1	W(mm)	L	h(mm)	l(mm)	B(mm) × A(mm)
2U	65	448	19"	38	432	426.8 × 62
3U	110	448	19"	83	432	426.8 × 107
4U	154	448	19"	127	432	426.8 × 151
5U	199	448	19"	172	432	426.8 × 196
6U	243	448	19"	216	432	426.8 × 240
7U	288	448	19"	261	432	426.8 × 285
8U	332	448	19"	305	432	426.8 × 329
9U	377	448	19"	350	432	426.8 × 374

Depth Chart of 01G-5

Overall Depth	T(mm)	180	240	300	320	360
Interior Depth	t(mm)	174	234	294	314	354

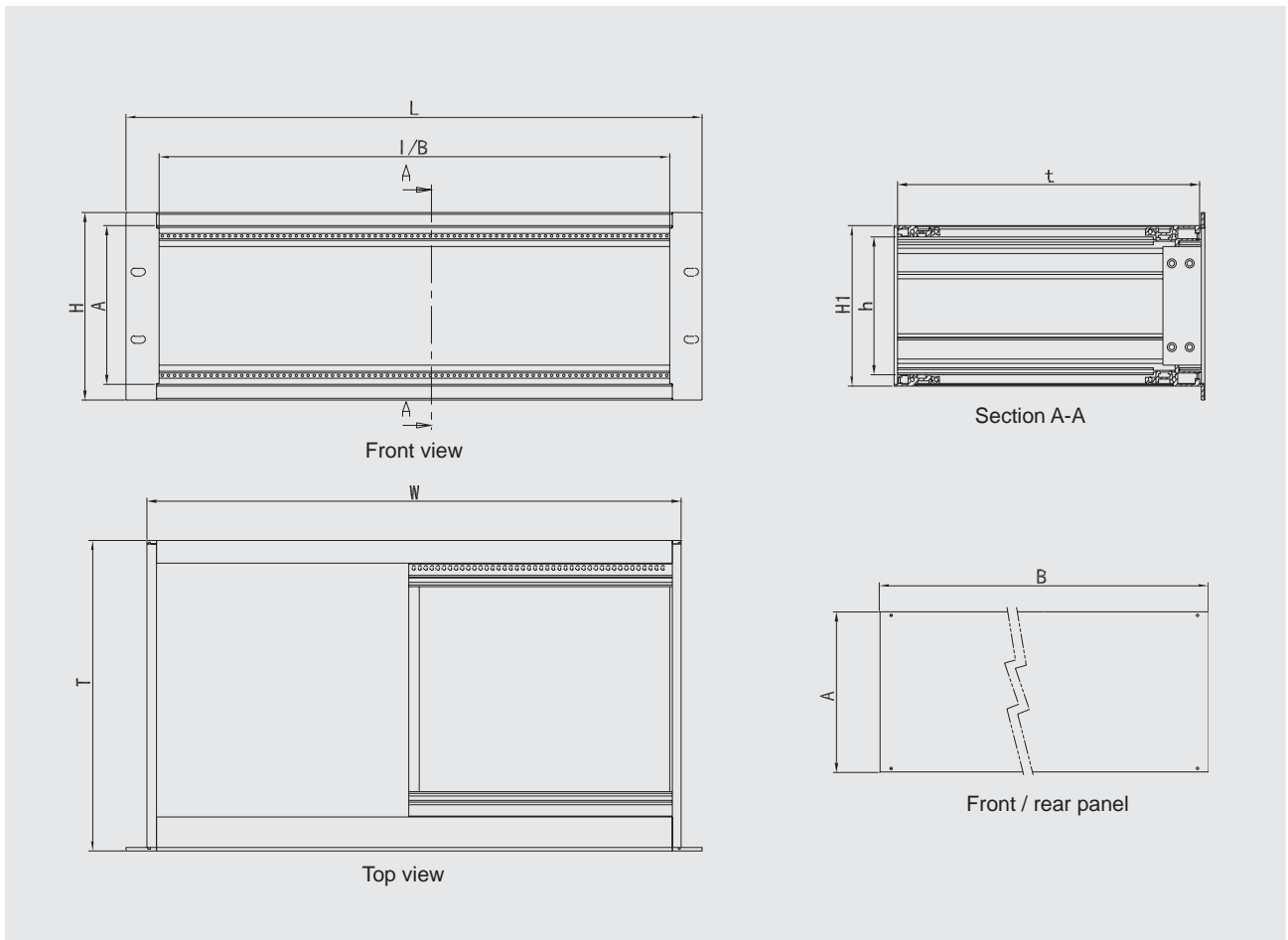
Note: Custom the overall depth and the overall height available upon request

The dimensions shown in the table are only for reference (maybe exist ± 0.5mm dimensions variation)

The inside width is the same as the length of the horizontal rail

Refer to the following drawing for the definition of enclosure size

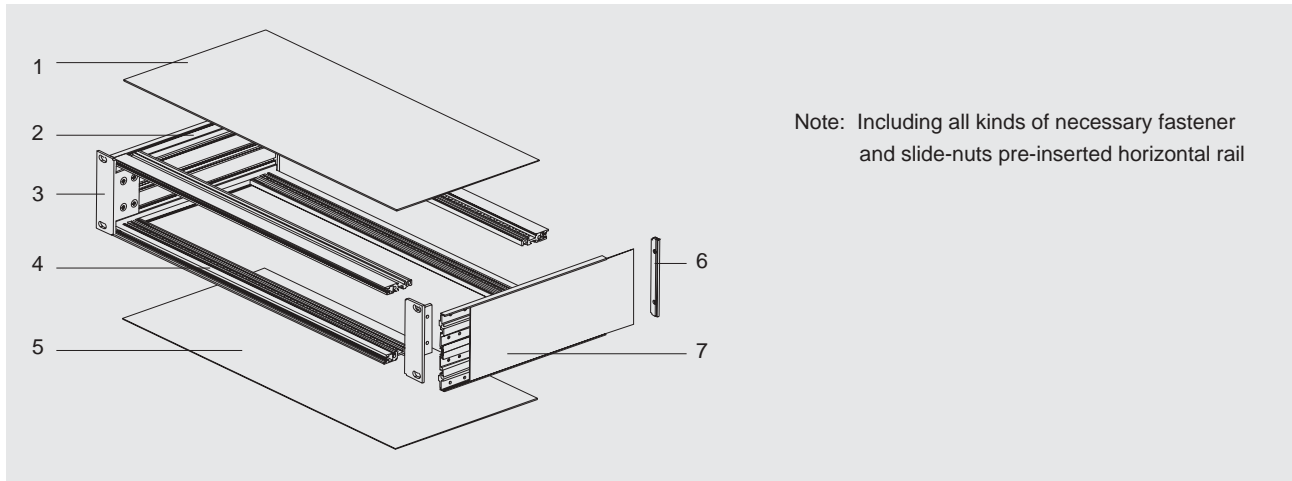
Drawing



01 Instrumented case system I

Standard delivery

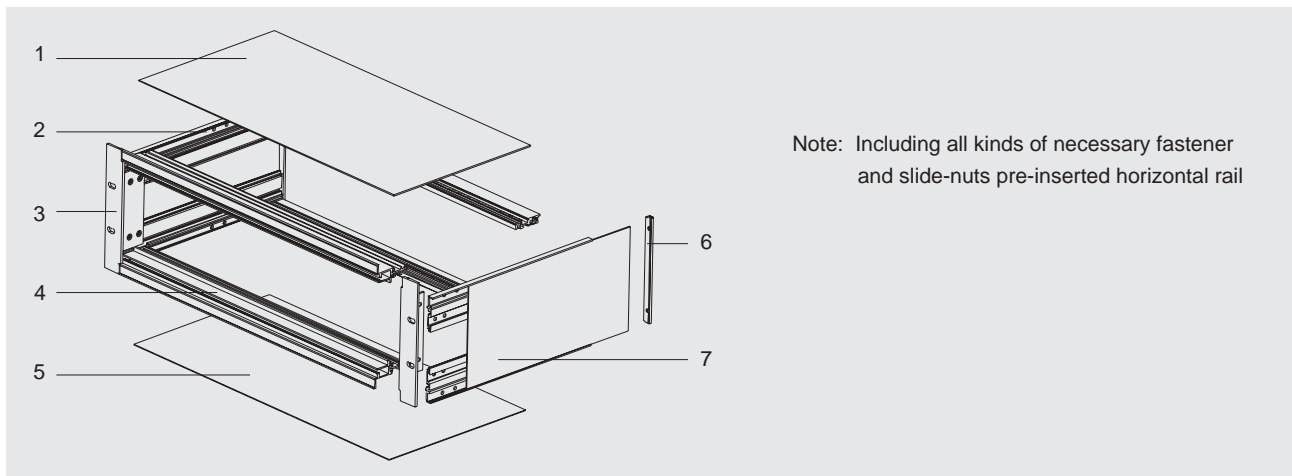
For 01G-2



Note: Including all kinds of necessary fastener and slide-nuts pre-inserted horizontal rail

ITEM	PART	QTY	DESCRIPTION
1	Bottom cover	1	1mm aluminium sheet, brushed and clear anodized
2	Side rail	4	Aluminium extrusion,clear anodized
3	Rackmount trim	2	Aluminium extrusion,clear anodized
4	Horizontal rail	4	Aluminium extrusion,clear anodized, pre-punched holes for card guide
5	Bottom cover	1	1mm aluminium sheet, brushed and clear anodized,two styles of sealed and vent-cover
6	Rear trim	2	Aluminium extrusion,clear anodized
7	Side panel	2	1mm aluminium sheet, brushed and clear anodized

For 01G-5

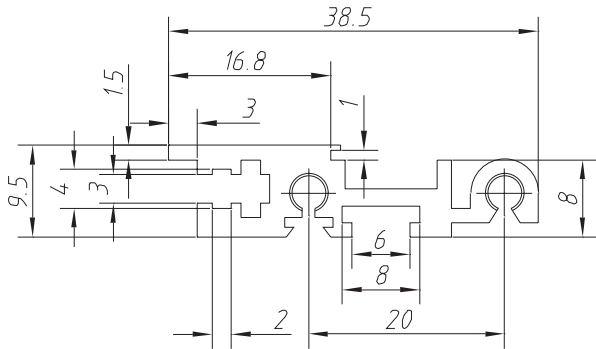


Note: Including all kinds of necessary fastener and slide-nuts pre-inserted horizontal rail

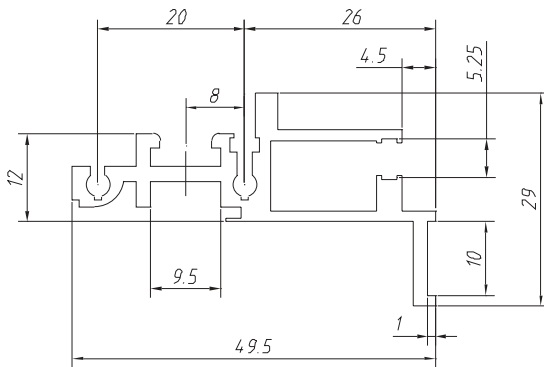
ITEM	PART	QTY	DESCRIPTION
1	Bottom cover	1	1mm Aluminium sheet, brushed and clear anodized
2	Side rail	4	Aluminium extrusion,clear anodized
3	Rackmount trim	2	Aluminium extrusion,clear anodized
4	Horizontal rail	4	Aluminium extrusion,clear anodized, pre-punched holes for card guide
5	Bottom cover	1	1mm Aluminium sheet, brushed and clear anodized,two styles of sealed and vent-cover
6	Rear trim	2	Aluminium extrusion,clear anodized
7	Side panel	2	1mm Aluminium sheet, brushed and clear anodized

Standard parts

Horizontal rail



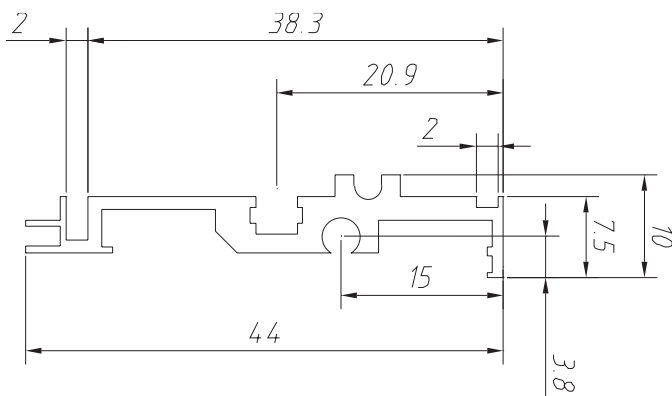
Section of horizontal rail of 01G-2



Section of horizontal rail of 01G-5

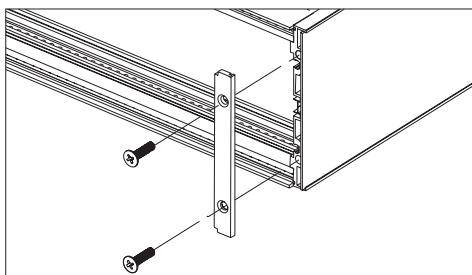
- Material: Aluminium extrusion
- Clear anodized
- With or without pre-punched holes of 5.08mm space for card guide available

Side rail



- Material: Aluminium extrusion
- Clear anodized

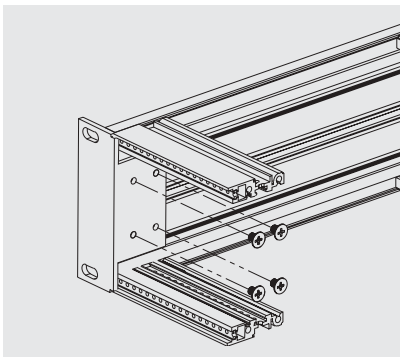
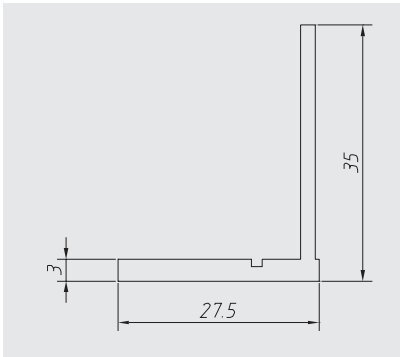
Rear trim



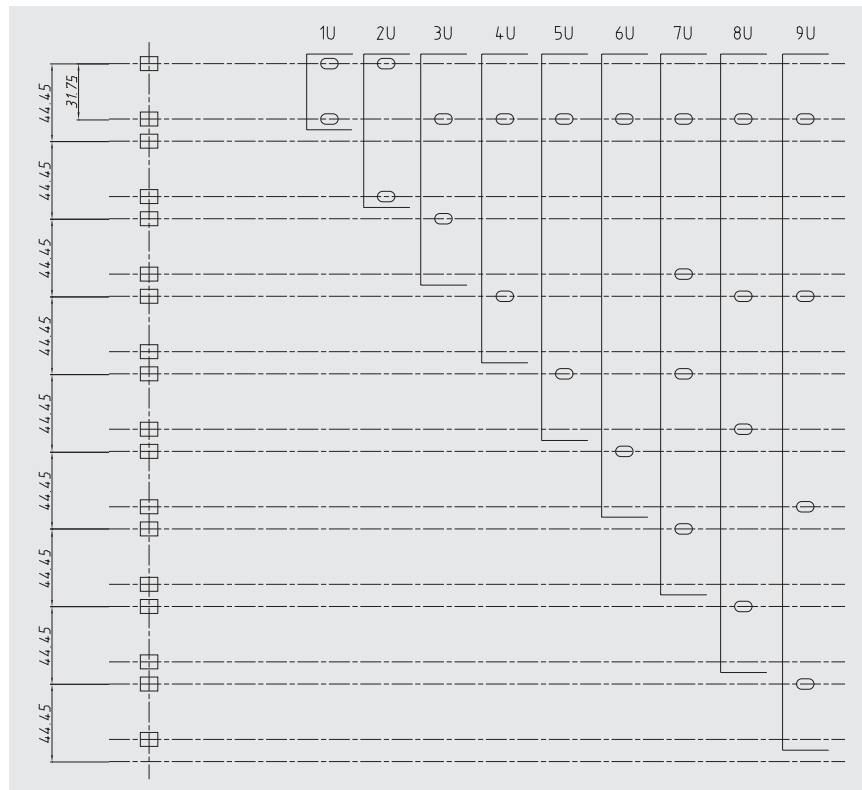
- Material: Aluminium extrusion
- Clear anodized

01 Instrumented case system I

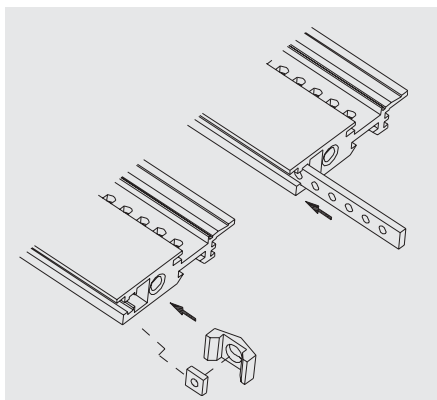
Rackmount trim



- Material: Aluminium extrusion
- Clear anodized

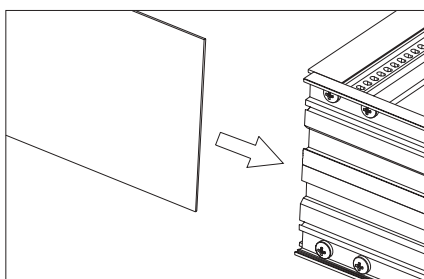


Slide nut / threaded strip



- Material: Stainless steel for threaded strip
- With threaded holes of 5.08mm space for threaded strip
- Slide nuts as standard delivery
- For mounting panels

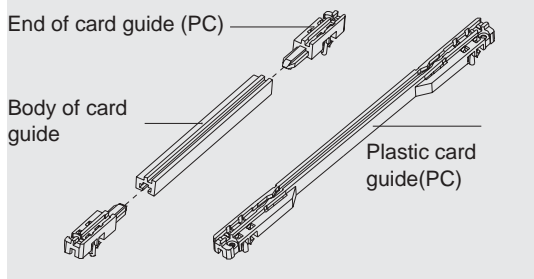
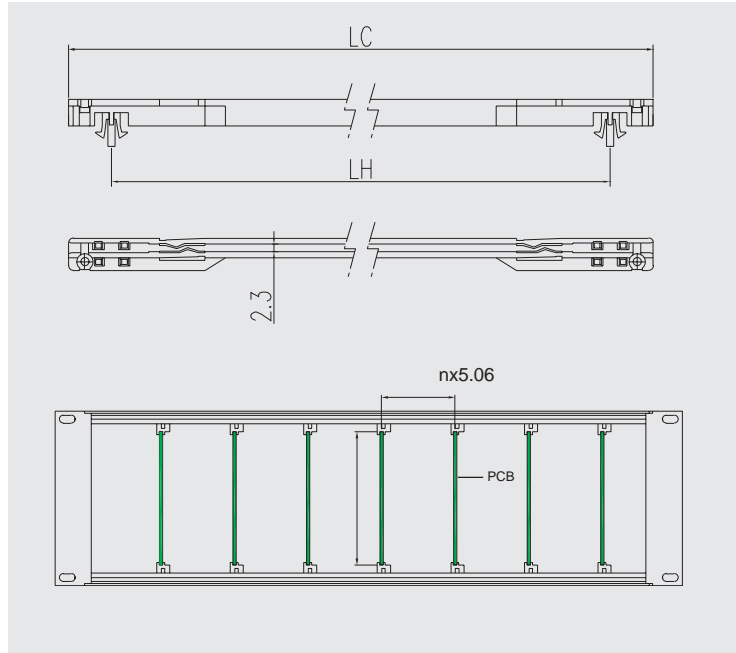
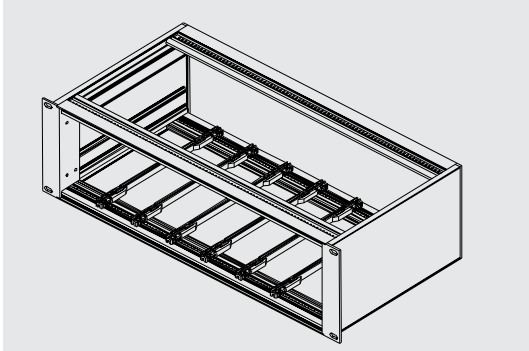
Slide panel



- Material: 1mm aluminium sheet
- Clear anodized and brushed

Optional accessories

Card guide



Length of plastic card guide

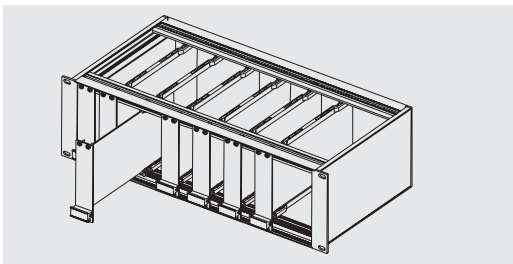
LC(mm)	143	210
LH(mm)	123	183

Height of PCB

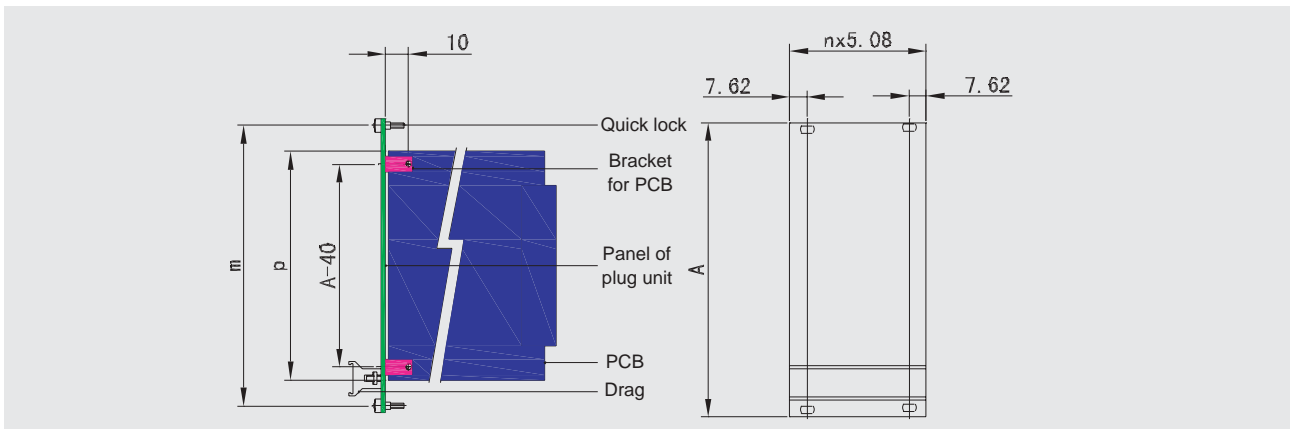
H	2U	3U	4U
P(mm)	56	101	145

- Choice of two styles of card guides (plastic or aluminum extrusion)
- Moulded in PC for plastic card guide
- Optional length for aluminum extrusions card guide
- Suitable for 1.6mm to 2.0mm nominal thickness
- Custom colors available

Panel of plug-in unit

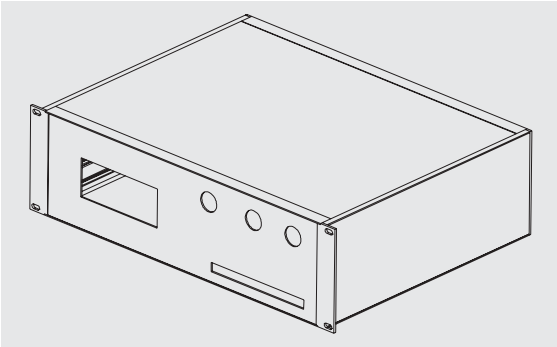


- Material :2mm aluminium sheet ,Clear anodized
- Quick locks screw into the slide nuts plugged in front rail or rear rail
- With "V" drag
- Optional size of panel, also cut-outs in the panel available on request
- The dimension in the below ,A-40, show the fixing points for PCB's vertical space



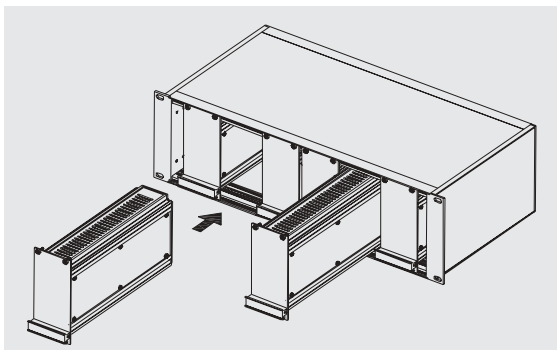
01 Instrumented case system I

Panel



- Material: Aluminium sheet
- Clear Anodized available
- Cut-outs available

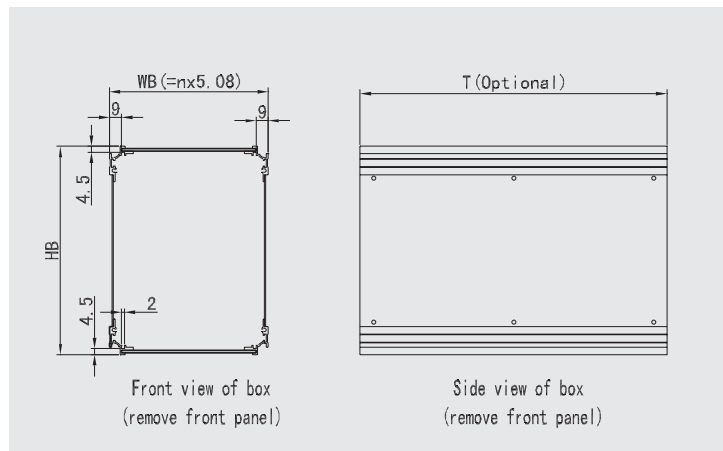
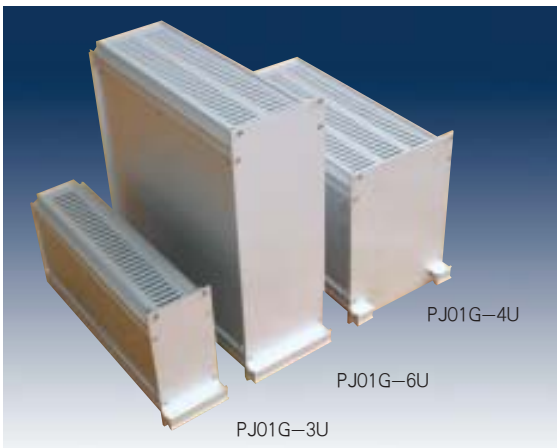
Box of plug-in unit



- Aluminum construction
- Cut-outs in the panel available
- Depth of box is variable upon request
- Anodized finish
- With vent holes in the top and bottom plate

Dimensions chart for box

H	2U	3U	4U	5U	6U
HB(mm)	66	111	155	200	244



How to order

Ordering the changhe enclosures is very simple. You only need to tell us the following information.

1. Model of the enclosure
2. Height of the enclosure
3. The depth of your desired enclosure
4. Optional accessories
5. Providing us with the drawing if you require secondary tooling or other cut-outs

Example: Model: 01G-5

Enclosure size: 3U × 19" × 300mm

Accessories: 20 pieces of 140mm plastic card guide