

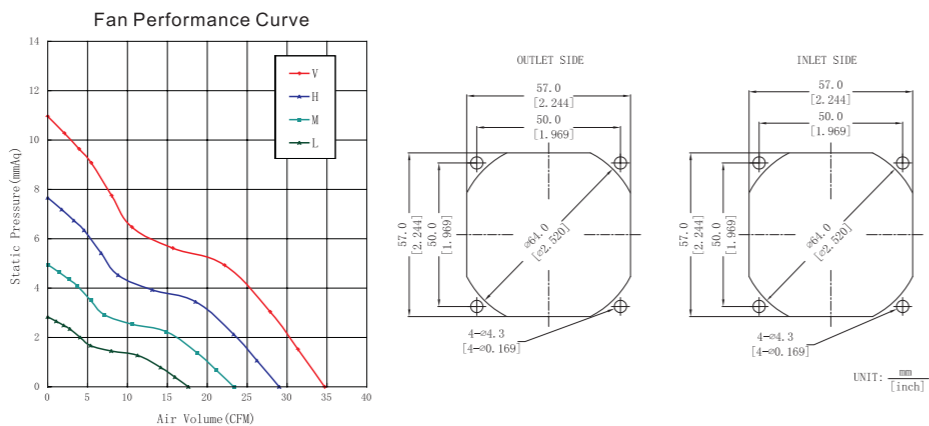
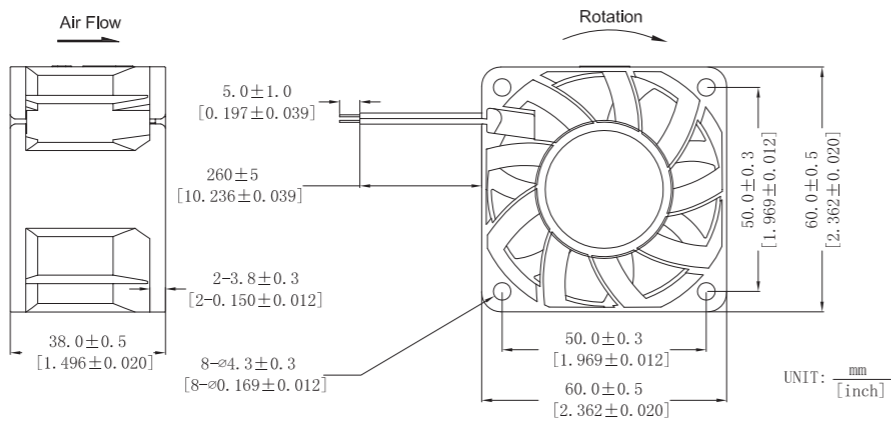
60*60*38mm

RT6038 Series



外框材质:环保防火PBT
Frame:Thermoplastic PBT UL94-V0
扇叶材质:环保防火PBT
Impeller:Thermoplastic PBT UL94-V0
轴承结构:双滚珠或长寿命含油结构
Bearing system:2Ball or Long life sleeve
单体风扇重量:106g
Unit Weight:106g

DIMENSIONS DRAWING



可选的功能参照列表
(Available Functions)

1.马达保护(Motor protection)

RP	SS	AS	CL
<input type="radio"/>	<input type="radio"/>	<input type="radio"/>	<input type="radio"/>

2.信号输出(Signal output)

FG	RD	RD	LD
<input type="radio"/>	<input type="radio"/>	<input type="radio"/>	<input type="radio"/>

3.调速方式(Speed control mode)

PWM	TP	VC	RC	CS
<input type="radio"/>	<input type="radio"/>	<input type="radio"/>	<input type="radio"/>	<input type="radio"/>

Part Number	Voltage(V)	Fre.(HZ)	Power(W)	Speed(RPM)	Air flow(Q)	Pressure(P)	Noise(dBA)
产品编号	电压范围	频率范围	功率	转速	(CFM) 风量	(Mmaq)风压 (In H ₂ O)	噪音
RT6038x12L	12(7~14)	45~65	3.0	3000	17.63	0.50	30.8
RT6038x12M		45~65	3.6	4000	23.32	0.66	36.9
RT6038x12H		45~65	4.4	5000	29.01	0.82	43.0
RT6038x12VH		45~65	5.0	6000	34.70	0.98	47.4
RT6038x24L	24(15~27)	45~65	3.0	3000	17.63	0.50	30.8
RT6038x24M		45~65	3.6	4000	23.32	0.66	36.9
RT6038x24H		45~65	4.4	5000	29.01	0.82	43.0
RT6038x24VH		45~65	5.0	6000	34.70	0.98	47.4

★ 如果您需要的转速或电压或功能不在这份清单上, 请与我们联系。
If you want another rpm or voltage or functions which one is not in the list, please contact with our sales.

★ 提示1:功能的具体信息参照产品目录前页篇章。
Notes1:The catalog have detail information in the front page for the functions.

★ 提示2:产品详细信息请参照承认书。
Notes2:Product have a detail in the approval sheet.

★ 提示3:产品规格变更不另行通知。
Notes3:Specifications are subject to change without notice.

★ 提示4:该款机型可制作相同转速的, 可在AC110V和AC220V双电压下使用。
Note4:This model can be made in the same speed and used in AC110V, AC220V both.

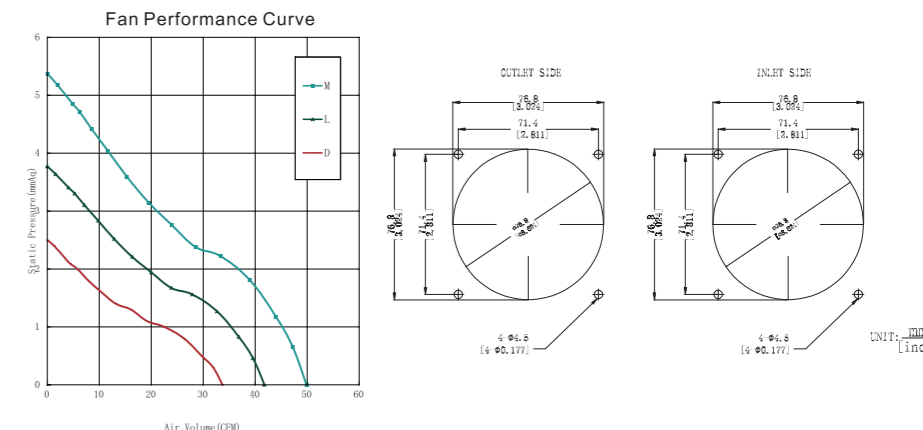
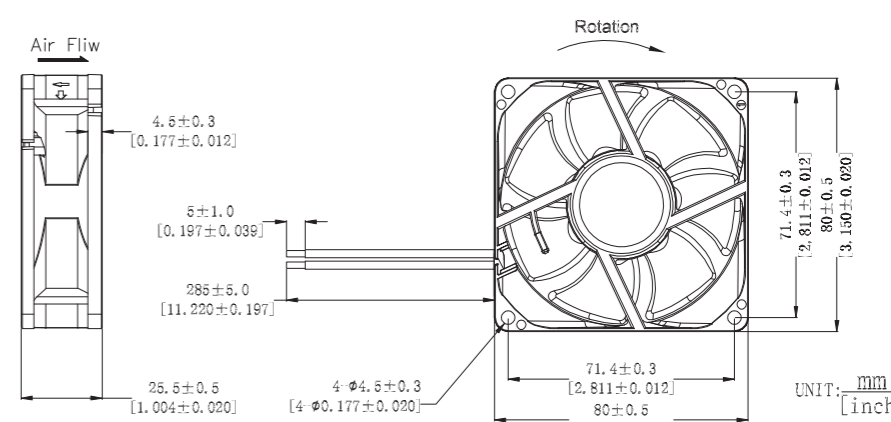
80*80*25mm

RT8025 Series



外框材质:环保防火PBT
Frame:Thermoplastic PBT UL94-V0
扇叶材质:环保防火PBT
Impeller:Thermoplastic PBT UL94-V0
轴承结构:双滚珠或长寿命含油结构
Bearing system:2Ball or Long life sleeve
单体风扇重量:54g
Unit Weight:54g

DIMENSIONS DRAWING



可选的功能参照列表
(Available Functions)

1.马达保护(Motor protection)

RP	SS	AS	CL
<input type="radio"/>	<input type="radio"/>	<input type="radio"/>	<input type="radio"/>

2.信号输出(Signal output)

FG	RD	RD	LD
<input type="radio"/>	<input type="radio"/>	<input type="radio"/>	<input type="radio"/>

3.调速方式(Speed control mode)

PWM	TP	VC	RC	CS
<input type="radio"/>	<input type="radio"/>	<input type="radio"/>	<input type="radio"/>	<input type="radio"/>

Part Number	Voltage(V)	Fre.(HZ)	Power(W)	Speed(RPM)	Air flow(Q)	Pressure(P)	Noise(dBA)
产品编号	电压范围	频率范围	功率	转速	(CFM) 风量	(Mmaq)风压 (In H ₂ O)	噪音
RT8025x11D	110(80~120)	45~65	3.0	2400	34.86	0.99	29.9
RT8025x11L		45~65	3.8	3000	43.23	1.22	34.8
RT8025x11M		45~65	4.2	3600	51.59	1.46	38.3
RT8025x22D	220(120~240)	45~65	3.0	2400	34.86	0.99	29.9
RT8025x22L		45~65	3.8	3000	43.23	1.22	34.8
RT8025x22M		45~65	4.2	3600	51.59	1.46	38.3

★ 如果您需要的转速或电压或功能不在这份清单上, 请与我们联系。
If you want another rpm or voltage or functions which one is not in the list, please contact with our sales.

★ 提示1:功能的具体信息参照产品目录前页篇章。
Notes1:The catalog have detail information in the front page for the functions.

★ 提示2:产品详细信息请参照承认书。
Notes2:Product have a detail in the approval sheet.

★ 提示3:产品规格变更不另行通知。
Notes3:Specifications are subject to change without notice.

★ 提示4:该款机型可制作相同转速的, 可在AC110V和AC220V双电压下使用。
Note4:This model can be made in the same speed and used in AC110V, AC220V both.