

254*89mm

RT25489 Series

UL US CE TUV SUD

80*80*25mm

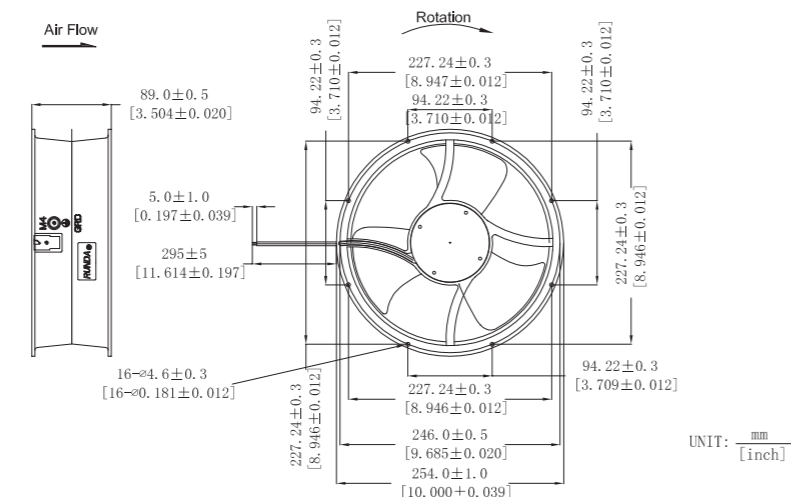
AC8025 Series

UL US CE TUV SUD



外框材质:铝合金
Frame:Aluminum
扇叶材质:环保防火PBT
Impeller:Thermoplastic PBT UL94-V0
轴承结构:双滚珠
Bearing system:2Ball
单体风扇重量:2410g
Unit Weight:2410g

DIMENSIONS DRAWING



可选的功能参照列表 (Available Functions)

1.马达保护(Motor protection)

RP	SS	AS	CL
<input type="checkbox"/>	<input type="checkbox"/>	<input type="checkbox"/>	<input type="checkbox"/>

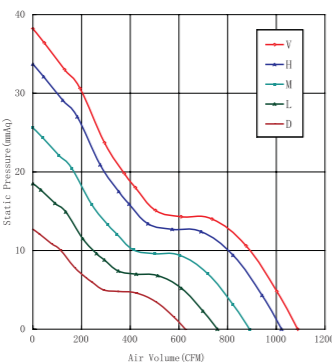
2.信号输出(Signal output)

FG	RD	RD	LD
<input type="checkbox"/>	<input type="checkbox"/>	<input type="checkbox"/>	<input type="checkbox"/>

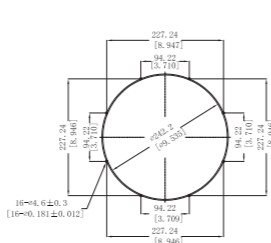
3.调速方式(Speed control mode)

PWM	TP	VC	RC	CS
<input type="checkbox"/>	<input type="checkbox"/>	<input type="checkbox"/>	<input type="checkbox"/>	<input type="checkbox"/>

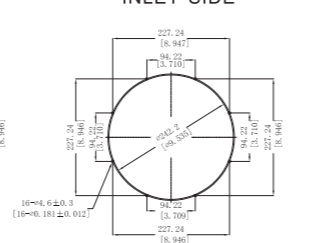
Fan Performance Curve



OUTLET SIDE



INLET SIDE



Part Number	Voltage(V)	Fre.(HZ)	Power(W)	Speed(RPM)	Air flow(Q)	Pressure(P)	Noise(dBA)
产品编号	电压范围	频率范围	功率	转速	(CFM) 风量	m ³ /min (Mmaq)风压 (In H ₂ O)	噪音
RT25489x11D	110(80~130)	45~65	28	1800	626.26	17.72 12.65	0.50 57.0
RT25489x11L		45~65	39	2200	758.11	21.45 18.54	0.73 61.2
RT25489x11M		45~65	68	2600	899.96	25.46 25.55	1.01 65.8
RT25489x11H		45~65	110	3000	1021.81	28.91 33.69	1.33 69.0
RT25489x22VH	220(150~230)	45~65	122	3200	1088.73	30.80 38.26	1.51 70.6
RT25489x22D		45~65	28	1800	626.26	17.72 12.65	0.50 57.0
RT25489x22L		45~65	39	2200	758.11	21.45 18.54	0.73 61.2
RT25489x22M		45~65	68	2600	899.96	25.46 25.55	1.01 65.8
RT25489x22H	220(150~230)	45~65	110	3000	1021.81	28.91 33.69	1.33 69.0
RT25489x22VH		45~65	122	3200	1088.73	30.80 38.26	1.51 70.6

★如果您需要的转速或电压或功能不在这份清单上, 请与我们联系。
If you want another rpm or voltage or functions which one is not in the list, please contact with our sales.

★提示1:功能的具体信息参照产品目录前页篇章。
Notes1:The catalog have detail information in the front page for the functions.

★提示2:产品详细信息请参照承认书。
Notes2:Product have a detail in the approval sheet.

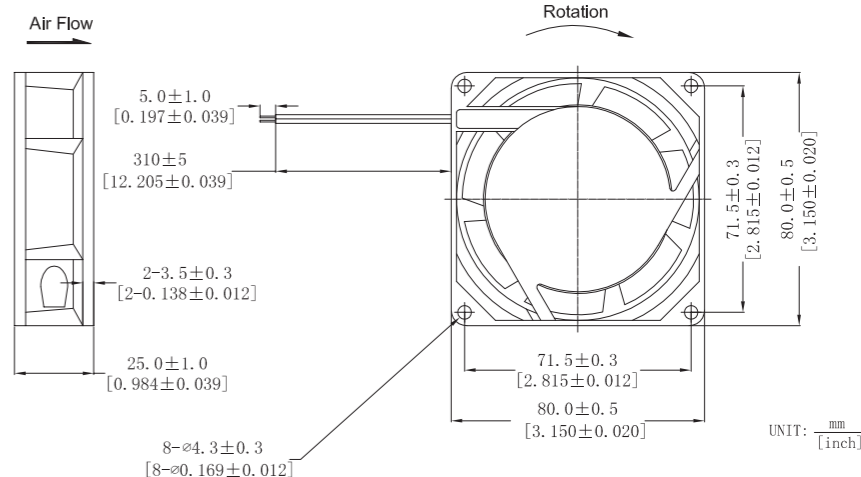
★提示3:产品规格变更不另行通知。
Notes3:Specifications are subject to change without notice.

★提示4:该款机型可制作相同转速的, 可在AC110V和AC220V双电压下使用。
Note4:This model can be made in the same speed and used in AC110V, AC220V both.

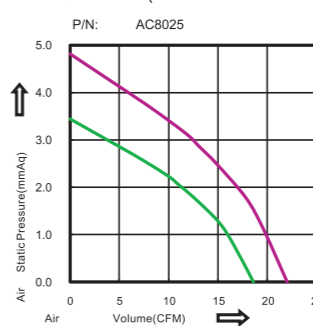


外框材质:铝合金
Frame:Aluminum
扇叶材质:环保防火PBT
Impeller:Thermoplastic PBT UL94-V0
轴承结构:双滚珠或长寿命含油结构
Bearing system:2Ball or Long life sleeve
单体风扇重量:230g
Unit Weight:230g

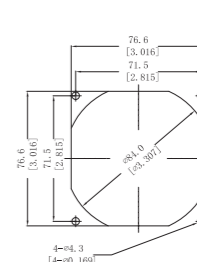
DIMENSIONS DRAWING



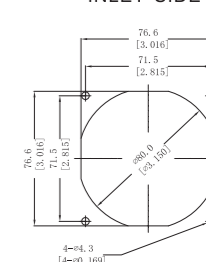
P&Q CURVE (AT RATED VOLTAGE)



OUTLET SIDE



INLET SIDE



Part Number	Voltage(V)	Frequency (HZ)	Power(W)	Current (Amp)	Speed (RPM)	Air flow(Q)	Pressure(P)	Noise(dBA)
产品编号	电压	频率	功率	电流	转速	(CFM) 风量	m ³ /min (mmAq)风压 (In H ₂ O)	噪音
AC8025S110H	AC 110/120	50/60	13/11	0.14/0.12	2300/2500	17/21	0.48/0.60 3.0/4.6	0.12/0.18 29/33
AC8025B110H		50/60	13/11	0.14/0.12	2400/2600	18/22	0.51/0.63 3.3/4.8	0.13/0.19 29/33
AC8025S220H	AC 220/240	50/60	13/11	0.07/0.06	2300/2500	17/21	0.48/0.60 3.0/4.6	0.12/0.18 29/33
AC8025B220H		50/60	13/11	0.07/0.06	2400/2600	18/22	0.51/0.63 3.3/4.8	0.13/0.19 29/33

★如果您需要的转速或电压或功能不在这份清单上, 请与我们联系。
If you want another rpm or voltage or functions which one is not in the list, please contact with our sales.

★提示1:功能的具体信息参照产品目录前页篇章。
Notes1:The catalog have detail information in the front page for the functions.

★提示2:产品详细信息请参照承认书。
Notes2:Product have a detail in the approval sheet.

★提示3:产品规格变更不另行通知。
Notes3:Specifications are subject to change without notice.