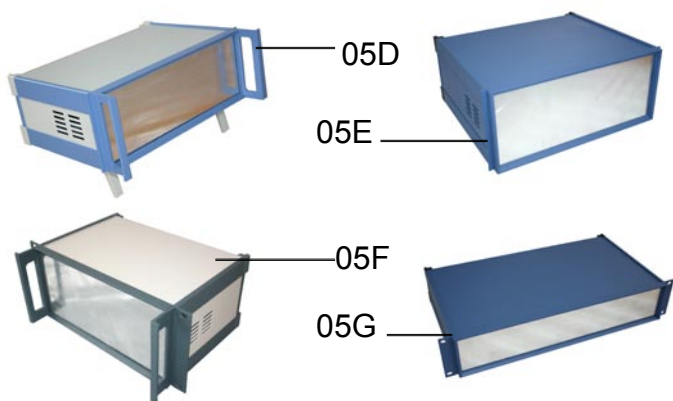


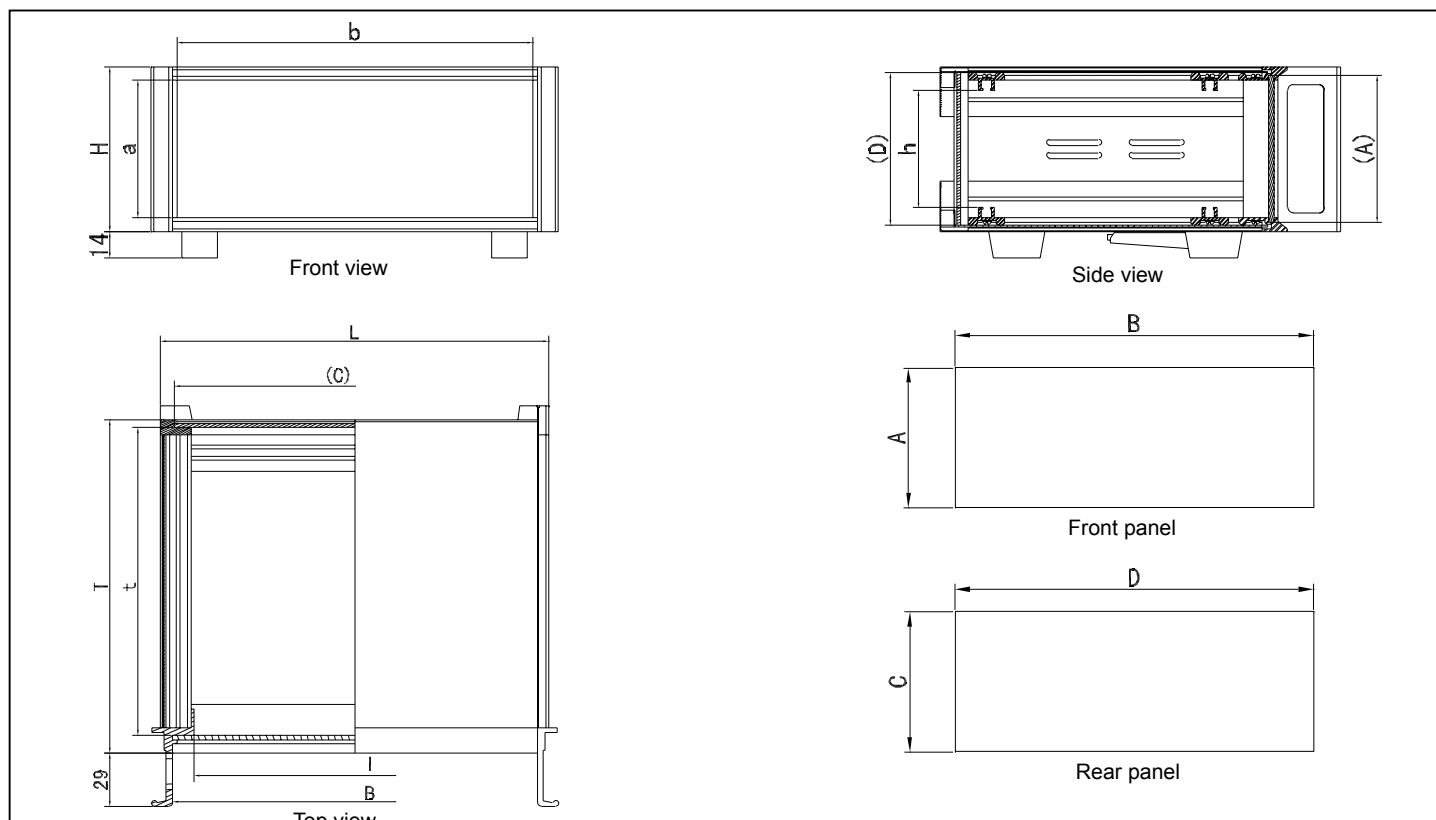
05D/E/F/G series



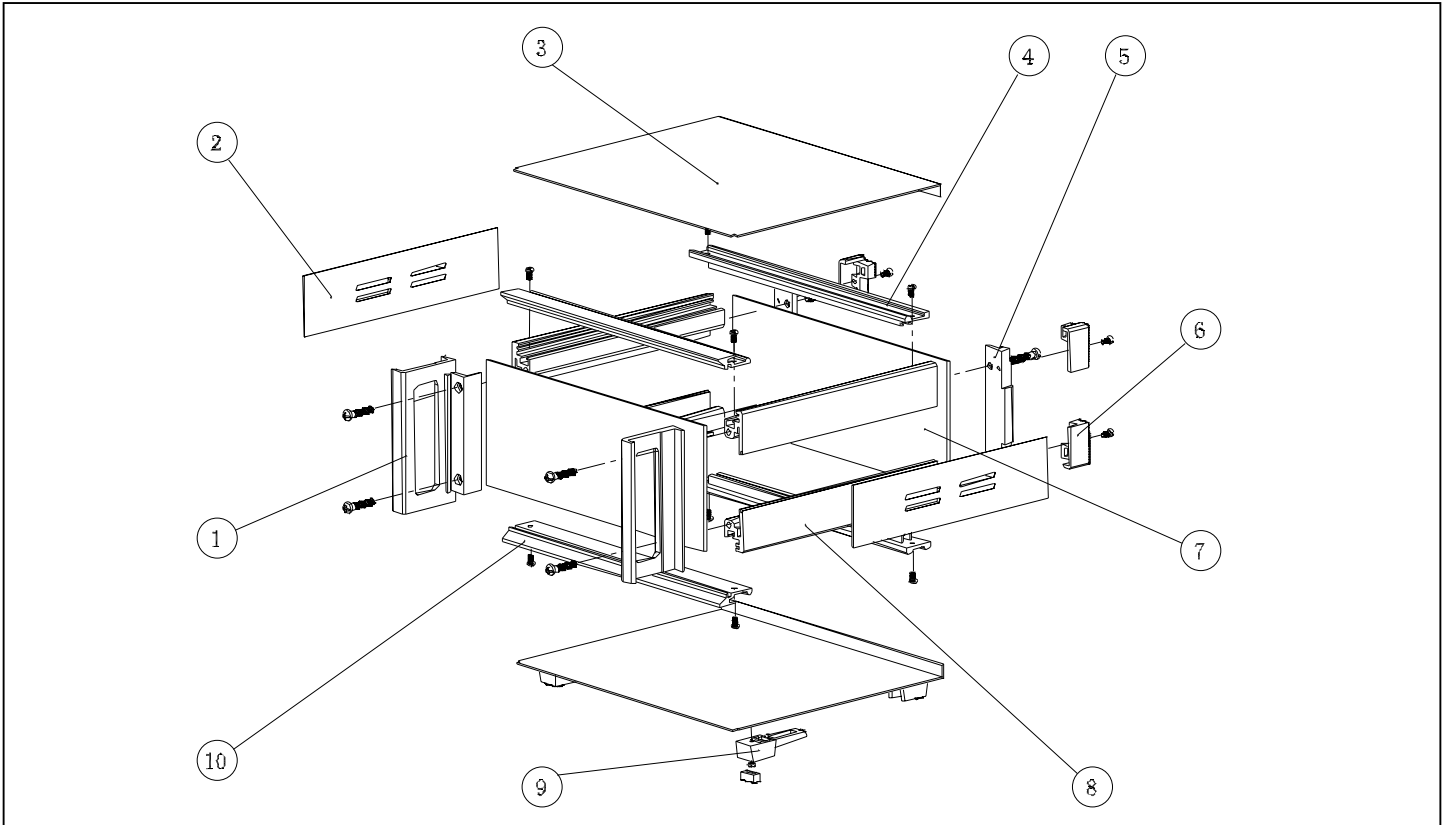
- Aluminum construction
- Application from desktop to rack mount
- Wide range of case size
- Simple assembly
- Custom colors available
- Special assembly services

Height/Width/Depth Chart

Exterior size			Interior size			Front panel				Rear panel	
Overall height	Overall width	Overall depth	Inside height	Inside width	Inside depth	Blank size		Useable size		Blank size	
H	L	T	h	l	t	B	A	b	a	D	C
90	200	160	64	163	146	187	80	182	75	185	83
100	240	200	74	203	186	227	90	222	85	225	93
100	280	240	74	243	226	267	90	262	85	265	93
100	320	280	74	283	266	307	90	302	85	305	93
120	240	240	94	203	226	227	110	222	105	225	113
120	280	280	94	243	266	267	110	262	105	265	113
120	320	320	94	283	306	307	110	302	105	305	113
140	280	280	114	243	266	267	130	262	125	265	133
140	320	320	114	283	306	307	130	302	125	305	133
140	360	360	114	323	346	347	130	342	125	345	133
160	320	320	134	283	306	307	150	302	145	305	153
160	360	360	134	323	346	347	150	342	145	345	153
160	400	400	134	363	386	387	150	382	145	385	153
180	360	360	154	323	346	347	170	342	165	345	173
180	400	400	154	363	386	387	170	382	165	385	173
180	440	440	154	403	426	427	170	422	165	425	173



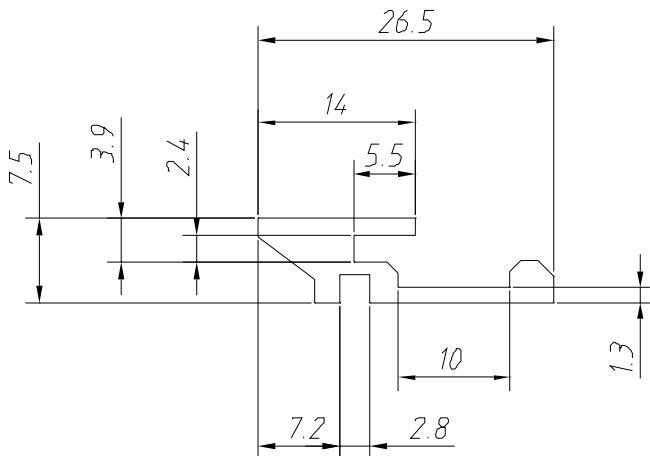
Standard configuration



ITEM	PART	QTY	DESCRIPTION
1	Handle	2	Aluminium extrusion,powder-coated
2	Side plate	2	0.8mm Aluminium sheet or steel sheet, spary plastic
3	Cover	2	0.8mm Aluminium sheet or steel sheet, spary plastic
4	Rear rail	2	Aluminium extrusion,clear anodized
5	Rear trim	2	Aluminium extrusion,clear anodized
6	Rear foot	4	Moulded in PC,with rubber pad
7	Panel	2	2mm Aluminium sheet(for front panel)
8	Side rail	4	Aluminium extrusion,powder-coated
9	Bottom foot	4	Moulded in PC,with mounting screws,including 2 pcs of supporting feet
10	Front rail	2	Aluminium extrusion,powder-coated

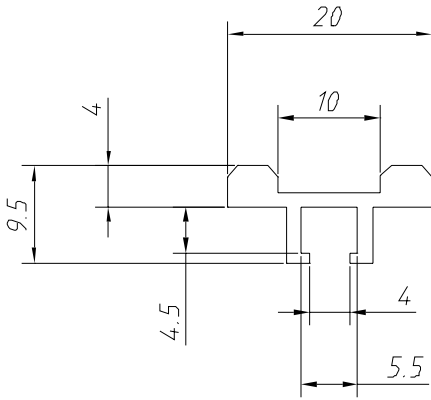
Extrusions

Front rail



- Material: Aluminum extrusion
- Spary plastic

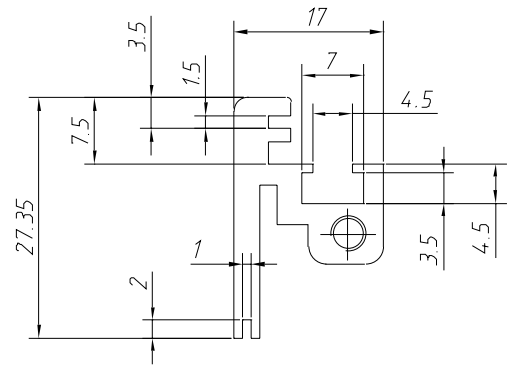
Rear rail



- Material: Aluminum extrusion
- Clear anodized
- Pre-mounting slide nuts in the T slo
- Can be used as additional rail to strength enclosure

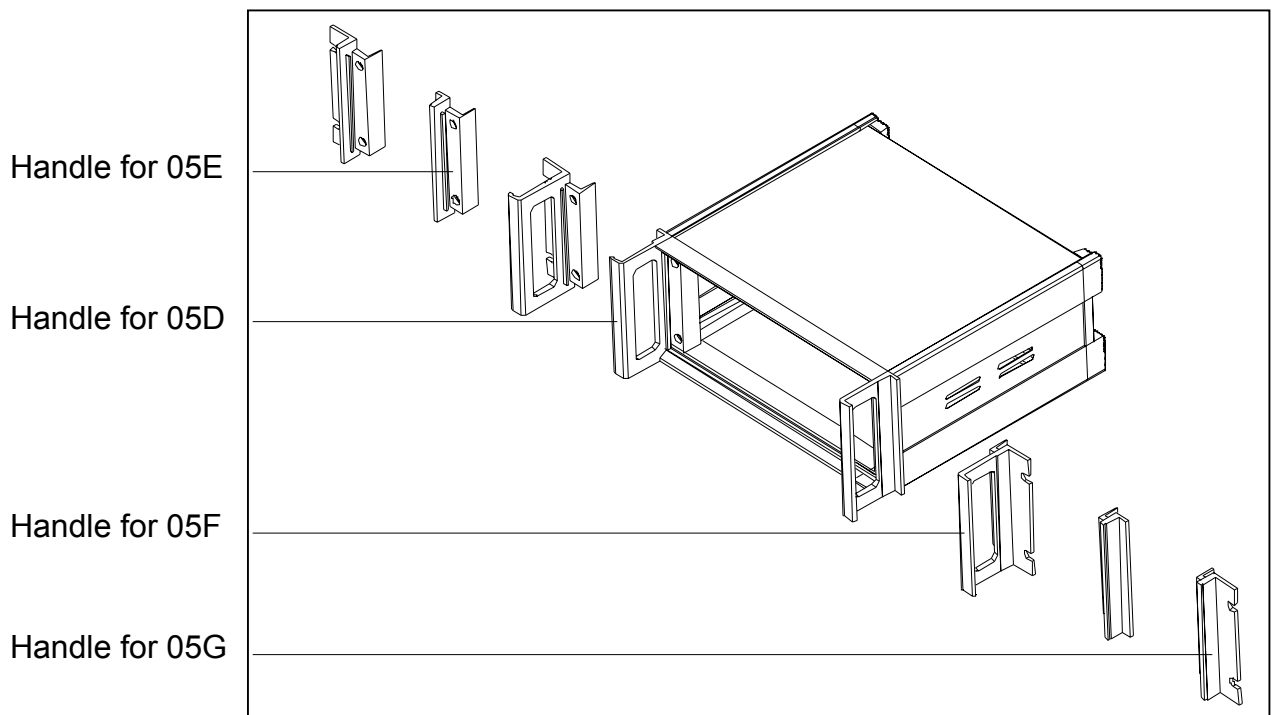
Side rail

- Material: Aluminum extrusion
- Spary plastic
- Pre-mounting slide nuts in the T slot



Handle

- Material: Aluminum extrusion
- Spary plastic
- choices of four types of handles
- With mounting flange for 05F and 05G
- View the below illustrative chart to check the corresponding model of enclosures for different handles



How to order

It is very simple ordering 05D/E/F/G series enclosures of Changhe
Just pick up the phone and call your local Changhe office (View our web site <http://www.enclosures.com.cn> to get the address of Changhe enclosures, also dial us at 86-574-63028237)

- inform us the model of your enclosure to order
- Inform us the desired overall height(H), overall width(W) and depth(T)
* see the chart on page 1 for definitions of H, W and T
- Optional accessories should be separately ordered
- Specify us your desired color of enclosure (see our website to view various of colors configuration)
- You should send us the drawing if you require secondary tooling or other cut-outs

Example : Model:05D
case size 90mm×200mm×160mm
colors: case 2



长河机箱

Ningbo Dayang enclosures Co., Ltd.

Economic development zone, changchizhi
Road, Cixi city, Zhejiang province, 315326, China
Tel: 86-574-63028237
Fax: 86-574-63028372
Website: <http://www.enclosures.com.cn>