



U74AHCT1G66

CMOS IC

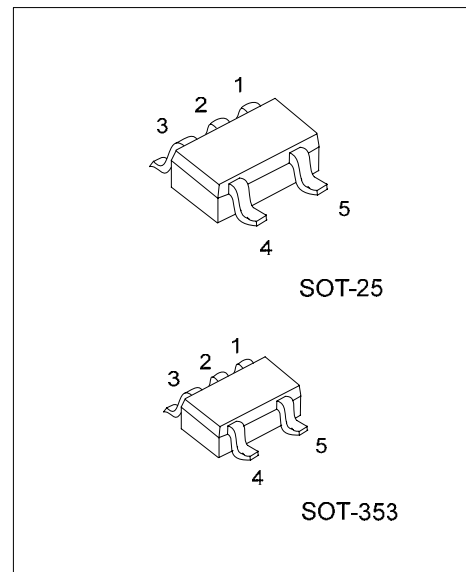
BILATERAL SWITCH

DESCRIPTION

The U74AHCT1G66 is an analog switch which transmits signals from pin(Y or Z) to pin (Z or Y) with an active HIGH enable input pin (E). When pin E is LOW, the switch is turned off.

FEATURES

- * Operation voltage range: 4.5~5.5V
- * Low power dissipation
- * Very low ON-resistance: 26Ω (typ.) at Vcc=3.0V
16Ω (typ.) at Vcc=4.5V
14Ω (typ.) at Vcc=5.5V
- * TTL-Voltage Compatible



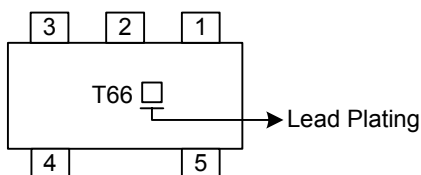
*Pb-free plating product number:
U74AHCT1G66L

ORDERING INFORMATION

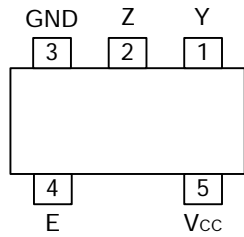
Ordering Number		Package	Packing
Normal	Lead Free Plating		
U74AHCT1G66-AF5-R	U74AHCT1G66L-AF5-R	SOT-25	Tape Reel
U74AHCT1G66-AL5-R	U74AHCT1G66L-AL5-R	SOT-353	Tape Reel

<p>U74AHCT1G66L-AF5-R</p>	<p>(1) R: Tape Reel (2) AF5: SOT-25, AL5: SOT-353 (3) L: Lead Free Plating, Blank: Pb/Sn</p>
---------------------------	--

MARKING



■ PIN CONFIGURATION



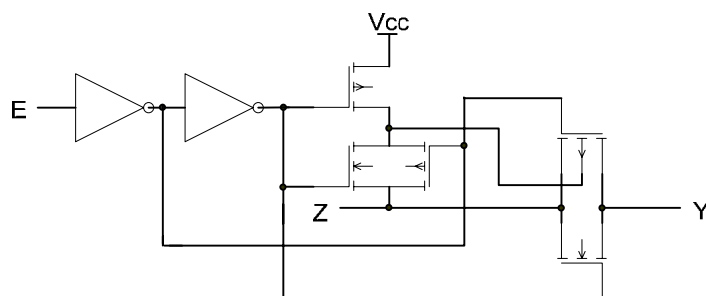
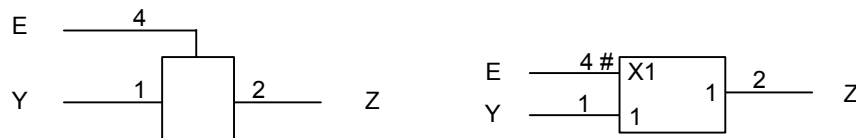
■ PIN DESCRIPTION

PIN NUMBER	SYMBOL	DESCRIPTION
1	Y	independent input/output
2	Z	independent output/input
3	GND	ground
4	E	enable input
5	Vcc	supply voltage

■ FUNCTION TABLE (each gate)

INPUT E	SWITCH
H	ON
L	OFF

■ LOGIC DIAGRAM (positive logic)



■ ABSOLUTE MAXIMUM RATINGS (unless otherwise specified)(Note 1)

PARAMETER	SYMBOL	RATINGS	UNIT
Supply Voltage	V _{CC}	-0.5~7	V
Enable Input Voltage	V _E	-0.5~7	V
Enable Input Clamp Current	I _{EK}	-20	mA
Switch Diode Current	I _{SK}	±20	mA
On-State Switch current (-0.5V<V _{OS} <V _{CC} +0.5V)	I _S	±25	mA
V _{CC} or GND Current	I _{CC}	±75	mA
Power Dissipation	P _D	250	mW
Storage Temperature	T _{STG}	-65 ~ +150	

Note 1. The input and output voltage ratings may be exceeded if the input and output current ratings are observed.

2. Absolute maximum ratings are those values beyond which the device could be permanently damaged.

Absolute maximum ratings are stress ratings only and functional device operation is not implied.

3. To avoid drawing V_{CC} current out of pin Z, when switch current flows into pin Y, the voltage drop across the bidirectional switch must not exceed 0.4V. If the switch current flows into pin Z, no V_{CC} current will flow out of pin Y. In this case there is no limit for the voltage drop across the switch, but the voltage at pins Y and Z may not exceed V_{CC} or GND.

■ RECOMMENDED OPERATING CONDITIONS

PARAMETER	SYMBOL	TEST CONDITIONS	MIN	TYP	MAX	UNIT
Supply Voltage	V _{CC}		4.5	5.0	5.5	V
Enable input Voltage	V _E		0		5.5	V
Switch Voltage	V _S		0		V _{CC}	V
Input Transition Rise or Fall Rate	t _r , t _f	V _{CC} =3.3+0.3V				ns/V
		V _{CC} =5.0+0.5V			20	
Operating Temperature	T _A		-40	25	125	

■ STATIC CHARACTERISTICS

PARAMETER	SYMBOL	TEST CONDITIONS	MIN	TYP	MAX	UNIT	
Input Voltage	High-Level	V _{IH}	V _{CC} =4.5V~5.5V	2.0		V	
	Low-Level	V _{IL}	V _{CC} =4.5V~5.5V			0.8	
Enable Input Leakage Current	I _{E(LEAK)}	V _{CC} =5.5V, V _E =V _{CC} or GND			0.1	μA	
Switch Current	OFF-State	I _S	V _{CC} =5.5V, V _S =V _{CC} - GND			0.1	μA
	ON-State		V _{CC} =5.5V			0.1	μA
ON-Resistance(Peak)	R _{ON(PEAK)}	V _{CC} =4.5V~5.5V, V _{IS} = V _{CC} to GND, I _S =10mA		15	30	Ω	
ON-Resistance(Rail)	R _{ON(RAIL)}	V _{CC} =4.5V~5.5V, V _{IS} = V _{CC} , I _S =10mA		13	22	Ω	
		V _{CC} =4.5V~5.5V, V _{IS} = GND, I _S =10mA		15	22	Ω	
Quiescent Supply Current	I _Q	V _{CC} =5.5V, V _E = V _{CC} or GND, V _{IS} = GND or V _{CC} , V _{OS} =V _{CC} or GND			1.0	μA	
Additional Quiescent Supply Current	Δ I _Q	V _{CC} =5.5V, V _E =3.4V, Other inputs at V _{CC} or GND, I _{OUT} =0			1.35	mA	
Enable Input Capacitance	C _E	V _E =V _{CC} or GND		2	10	pF	
Maximum Switch Capacitance	C _S	Independent I/O		4	10	pF	

■ DYNAMIC CHARACTERISTICS (T_A=25)

Input: t_R, t_F≤3ns; PRR≤1MHz, All typical values are measured at V_{CC}=5V.

PARAMETER	SYMBOL	TEST CONDITIONS	MIN	TYP	MAX	UNIT
Propagation Delay From Y/Z TO Z/Y	t _{PHL} /t _{PLH}	V _{CC} =4.5V~5.5V, C _L =50pF		0.7	1	ns
Turn-On Time From E TO Z/Y	t _{PZH} /t _{PZL}	V _{CC} =4.5V~5.5V, C _L =15pF		3	7	ns
		V _{CC} =4.5V~5.5V, C _L =50pF		4.7	10	ns
Turn-Off Time From E TO Z/Y	t _{PHZ} /t _{PLZ}	V _{CC} =4.5V~5.5V, C _L =15pF		5	8	ns
		V _{CC} =4.5V~5.5V, C _L =50pF		6.5	11	ns

Recommended conditions and typical values. GND=0; t_R=t_F=3ns

PARAMETER	SYMBOL	TEST CONDITIONS	MIN	TYP	MAX	UNIT
Sine-Wave Distortion at f=1kHz		V _{CC} =3.0V~3.6V, V _{IS(P-P)} =2.5V, R _L =10kΩ, C _L =50pF		0.025		V
		V _{CC} =4.5V~5.5V, V _{IS(P-P)} =4.0V, R _L =10kΩ, C _L =50pF		0.015		
Sine-Wave Distortion at f=10kHz		V _{CC} =3.0V~3.6V, V _{IS(P-P)} =2.5V, R _L =10kΩ, C _L =50pF		0.025		V
		V _{CC} =4.5V~5.5V, V _{IS(P-P)} =4.0V, R _L =10kΩ, C _L =50pF		0.015		
Switch OFF Signal Feed-Through (Note 4)		V _{CC} =3.0V~3.6V, R _L =600Ω, C _L =50pF, F=1MHz		-50		V
		V _{CC} =4.5V~5.5V, R _L =600Ω, C _L =50pF, F=1MHz		-50		
Minimum Frequency Response(-3dB) (Note 5)	f _{MAX}	V _{CC} =3.0V~3.6V, R _L =50Ω, C _L =10pF		230		ns/V
		V _{CC} =4.5V~5.5V, R _L =50Ω, C _L =10pF		280		

OPERATING CHARACTERISTICS

Power Dissipation Capacitance	C _{pd}	C _L =50pF, f=10MHz, V _{CC} =5		15		pF
-------------------------------	-----------------	---	--	----	--	----

Note 4. Adjust input voltage V_{IS} is 0dbm level (0dbm=1mW into 600Ω)

5. Adjust input voltage V_{IS} is 0dbm level at V_{OS} for 1MHz (0dbm=1mW into 50Ω)

■ TEST CIRCUIT AND WAVEFORMS

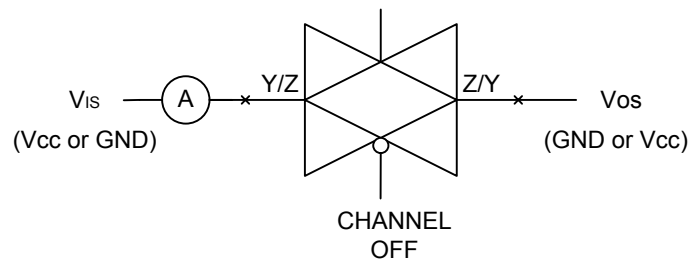


Fig. 1 OFF-State Switch Leakage Current Test Circuit

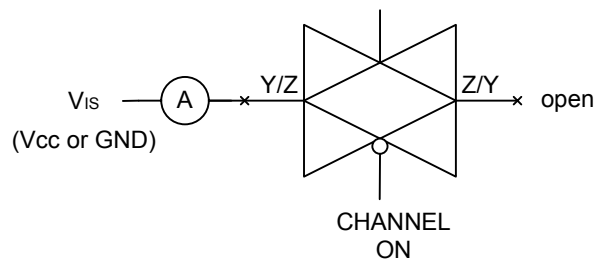


Fig. 2 ON-State Leakage Current Test Circuit

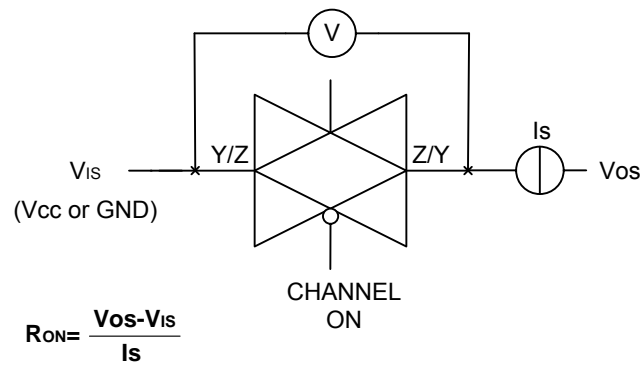


Fig. 3 ON-State Resistance Test Circuit

■ TEST CIRCUIT AND WAVEFORMS(Cont.)

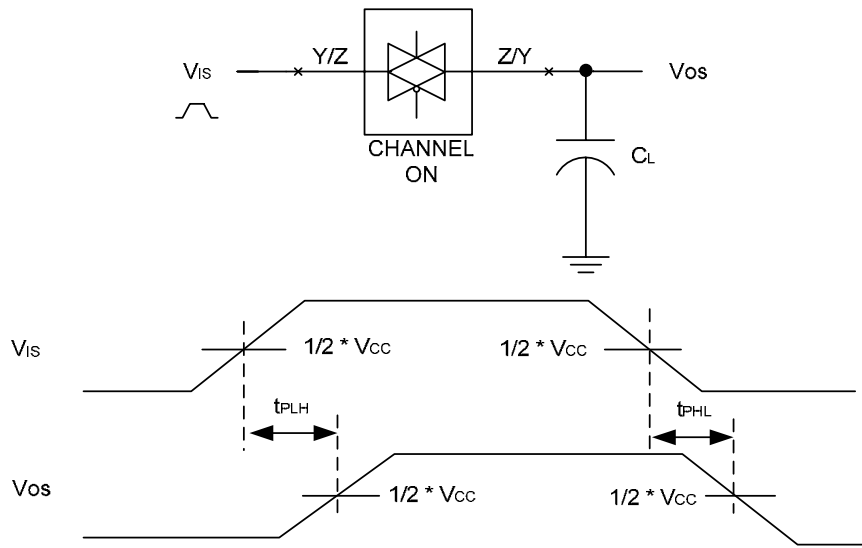


Fig. 4 The input (Y/Z) to output (Z/Y) propagation delays.

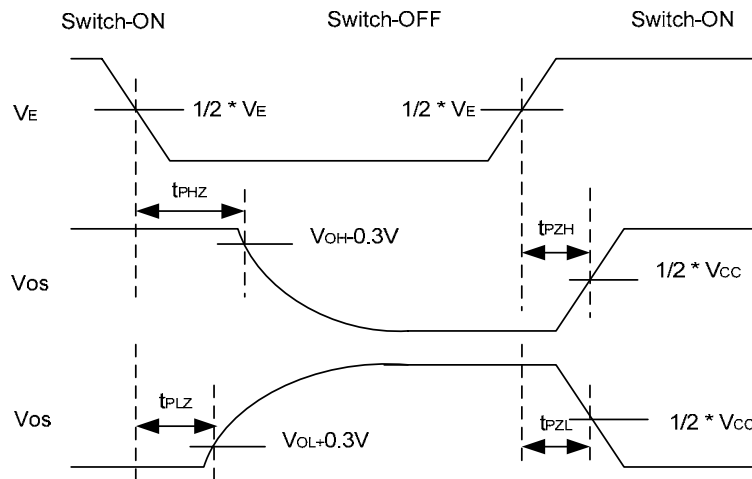
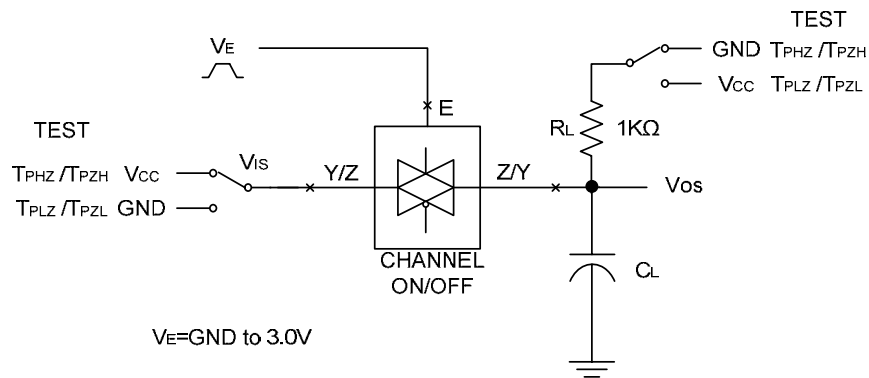


Fig. 5 The switch-on and switch-off times.

■ TEST CIRCUIT AND WAVEFORMS(Cont.)

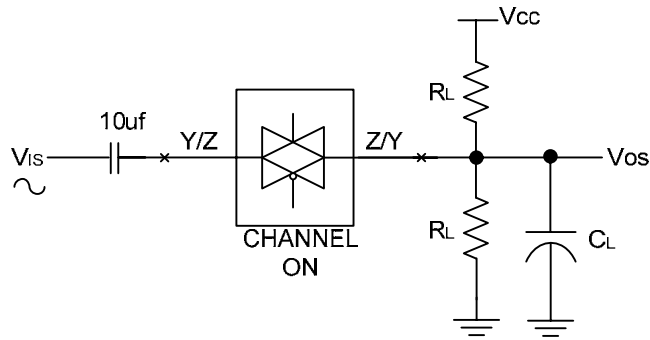


Fig. 6 Sine-Wave Distortion

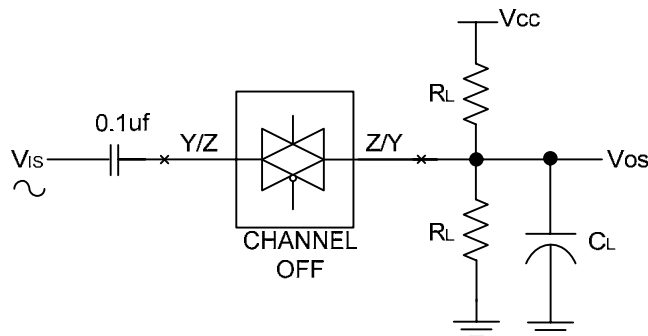


Fig. 7 Feed-through Attenuation (Switch OFF)

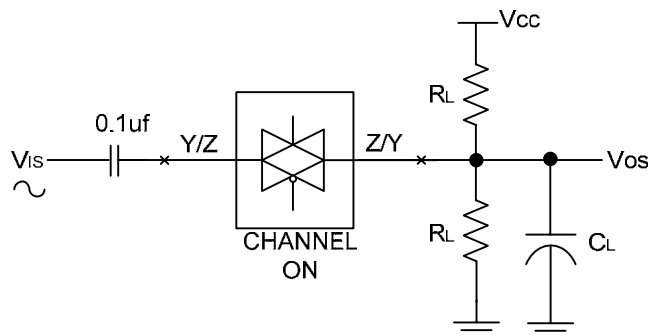


Fig. 8 Minimum Frequency Response

UTC assumes no responsibility for equipment failures that result from using products at values that exceed, even momentarily, rated values (such as maximum ratings, operating condition ranges, or other parameters) listed in products specifications of any and all UTC products described or contained herein. UTC products are not designed for use in life support appliances, devices or systems where malfunction of these products can be reasonably expected to result in personal injury. Reproduction in whole or in part is prohibited without the prior written consent of the copyright owner. The information presented in this document does not form part of any quotation or contract, is believed to be accurate and reliable and may be changed without notice.