



UM21125

LINEAR INTEGRATED CIRCUIT

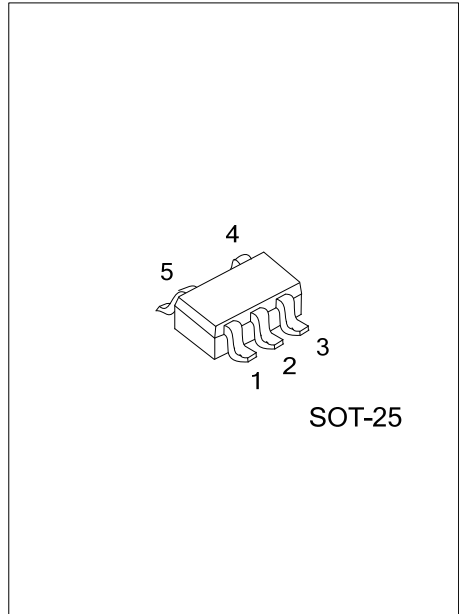
SINGLE-SUPPLY COMPARATOR

DESCRIPTION

The UTC **UM21125** is a single-supply comparator. There is a 70mV V_{REF} negative input inside.

FEATURES

- * Single-Supply Operation
- * Low Operating Voltage: $\pm 2.7V \sim 20V$
- * Low Operating Current: 1.3mA (Typ.)

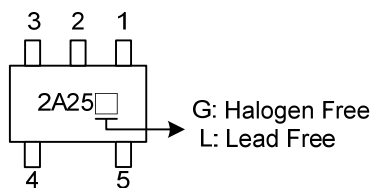


ORDERING INFORMATION

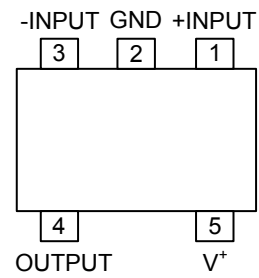
Ordering Number		Package	Packing
Lead Free	Halogen Free		
UM21125L-AF5-R	UM21125G-AF5-R	SOT-25	Tape Reel

<p>UM21125L-AF5-R</p> <p>(1) Packing Type (2) Package Type (3) Lead Free</p>	<p>(1) R: Tape Reel (2) AF5: SOT-25 (3) G: Halogen Free, L: Lead Free</p>
--	---

MARKING



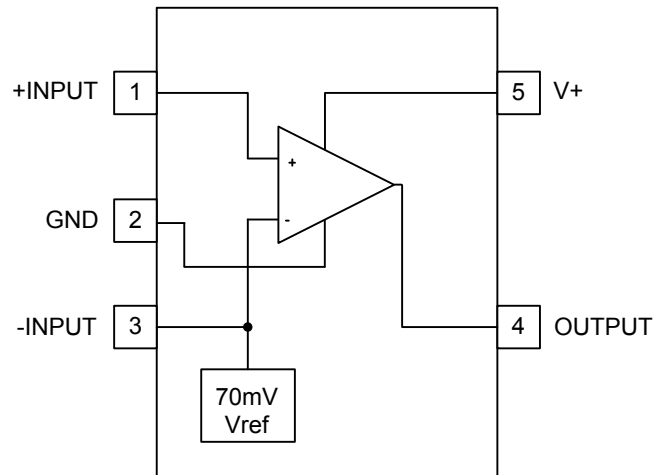
PIN CONFIGURATION



■ PIN DESCRIPTION

PIN NO.	PIN NAME	DESCRIPTION
1	+INPUT	Positive input of the comparator
2	GND	Ground Connection
3	-INPUT	Negative input of the comparator (there is 70mV Vref inside)
4	OUTPUT	The output of the comparator
5	V+	Supply voltage

■ BLOCK DIAGRAM



■ ABSOLUTE MAXIMUM RATINGS (Ta=25°C, unless other specified)

PARAMETER	SYMBOL	RATINGS	UNIT
Supply Voltage	V ⁺	+20	V
Differential Input Voltage	V _{I(DIFF)}	+20	V
Input Voltage	V _{IN}	-0.3 ~ +20 (Note 2)	V
Power Dissipation	P _D	200	mW
Junction Temperature	T _J	+125	°C
Operating Temperature	T _{OPR}	-40~ +85	°C
Storage Temperature	T _{STG}	-40~+125	°C

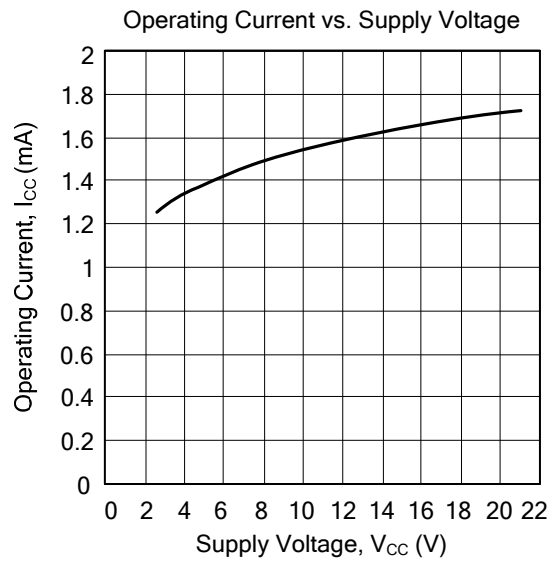
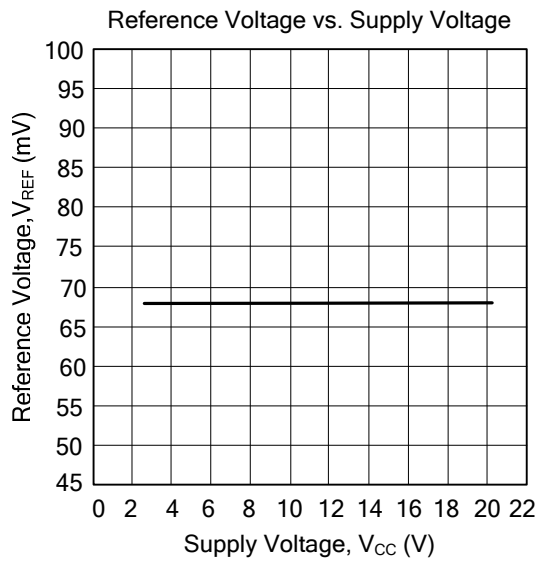
Notes: 1. Absolute maximum ratings are those values beyond which the device could be permanently damaged. Absolute maximum ratings are stress ratings only and functional device operation is not implied.

2. When the supply voltage is less than +20V, the absolute maximum input voltage is equal to the supply voltage.

■ ELECTRICAL CHARACTERISTICS (V⁺=5V, Ta=25°C, unless other specified)

PARAMETER	SYMBOL	TEST CONDITIONS	MIN	TYP	MAX	UNIT
-Input DC Level	V _{IN-}		63	68	73	mV
Maximum Output Voltage Swings	V _{OM}	R _L =2kΩ	3.5			V
Operating current	I _{CC}	V ⁺ =5V, R _L =∞		1.3	1.75	mA
		V ⁺ =20V, R _L =∞		1.6	2.35	mA
Output Source Current	I _{SOURCE}	V _{IN+} =1V, V _{IN-} =70mV	20	30		mA
Output Sink Current	I _{SINK}	V _{IN+} =0V, V _{IN-} =70mV	8	20		mA

■ TYPICAL CHARSACTERIST



UTC assumes no responsibility for equipment failures that result from using products at values that exceed, even momentarily, rated values (such as maximum ratings, operating condition ranges, or other parameters) listed in products specifications of any and all UTC products described or contained herein. UTC products are not designed for use in life support appliances, devices or systems where malfunction of these products can be reasonably expected to result in personal injury. Reproduction in whole or in part is prohibited without the prior written consent of the copyright owner. The information presented in this document does not form part of any quotation or contract, is believed to be accurate and reliable and may be changed without notice.