



# M28S

## NPN SILICON TRANSISTOR

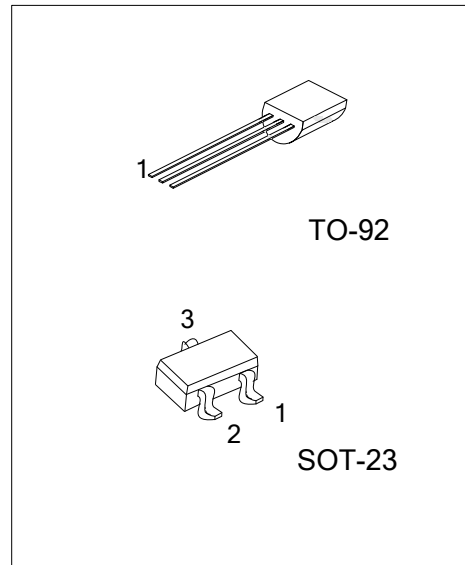
### AUDIO OUTPUT DRIVER AMPLIFIER

■ **FEATURES**

- \* Excellent HFE Linearity
- \* High DC Current Gain
- \* High Power Dissipation

■ **APPLICATION**

- \* Audio Output Driver Amplifier
- \* General Purpose Switch



■ **ORDERING INFORMATION**

Ordering Number		Package	Pin Assignment			Packing
Lead Free	Halogen Free		1	2	3	
-	M28SG-x-AE3-R	SOT-23	E	C	B	Tape Reel
M28SL-x-T92-B	M28SG-x-T92-B	TO-92	E	C	B	Tape Box
M28SL-x-T92-K	M28SG-x-T92-K	TO-92	E	C	B	Bulk

Note: Pin Assignment: B: Base C: Collector E: Emitter

<p>M28SG-x-AE3-R</p> <p>(1) Packing Type (2) Package Type (3) Rank (4) Green Package</p>	<p>(1) B: Tape Box, K: Bulk, R: Tape Reel (2) AB3: SOT-23, T92: TO-92 (3) x: refer to Classification of <math>h_{FE1}</math> (4) G: Halogen Free and Lead Free, L: Lead Free</p>
--	--

■ **MARKING**

SOT-23	TO-92
<p>NBJG</p>	<p>UTC M28S Rank ← → Data Code 1</p> <p>L: Lead Free G: Halogen Free</p>

■ ABSOLUTE MAXIMUM RATING ( $T_A=25^\circ\text{C}$ , unless otherwise specified)

PARAMETER	SYMBOL	RATINGS	UNIT
Collector-Base Voltage	$V_{CBO}$	40	V
Collector-emitter Voltage	$V_{CEO}$	20	V
Emitter-Base Voltage	$V_{EBO}$	6	V
Collector Current	$I_C$	1.25	A
Base Current	$I_B$	0.4	A
Power Dissipation ( $T_A=25^\circ\text{C}$ )	$P_D$	850	mW
Junction Temperature	$T_J$	+150	$^\circ\text{C}$
Storage Temperature	$T_{STG}$	-55 ~ +150	$^\circ\text{C}$

Note: Absolute maximum ratings are those values beyond which the device could be permanently damaged.

Absolute maximum ratings are stress ratings only and functional device operation is not implied.

■ ELECTRICAL CHARACTERISTICS ( $T_A=25^\circ\text{C}$ , unless otherwise specified)

PARAMETER	SYMBOL	TEST CONDITIONS	MIN	TYP	MAX	UNIT
Collector-Base Voltage	$V_{CBO}$	$I_C=0.1\text{mA}$	40			V
Collector-Emitter Voltage	$V_{CEO}$	$I_C=1\text{mA}$	20			V
Emitter-Base Voltage	$V_{EBO}$	$I_E=0.1\text{mA}$	6			V
Collector Cutoff Current	$I_{CBO}$	$V_{CB}=35\text{V}, I_E=0$			100	nA
Emitter Cutoff Current	$I_{EBO}$	$V_{EB}=5\text{V}, I_C=0$			100	nA

**ON CHARACTERISTICS**

DC Current Gain (Note)	$h_{FE1}$	$V_{CE}=1\text{V}, I_C=1\text{mA}$	290			
	$h_{FE2}$	$V_{CE}=1\text{V}, I_C=0.1\text{A}$	300		1000	
	$h_{FE3}$	$V_{CE}=1\text{V}, I_C=0.3\text{A}$	300			
	$h_{FE4}$	$V_{CE}=1\text{V}, I_C=0.5\text{A}$	300			
Collector-Emitter Saturation Voltage	$V_{CE(SAT)}$	$I_C=600\text{mA}, I_B=20\text{mA}$			0.55	V

**SMALL-SIGNAL CHARACTERISTICS**

Current Gain Bandwidth Product	$f_T$	$V_{CE}=10\text{V}, I_C=50\text{mA}, f=1\text{MHz}$	100			MHz
Output Capacitance	$C_{OB}$	$V_{CB}=10\text{V}, I_E=0, f=1\text{MHz}$		9		pF

■ CLASSIFICATION OF  $h_{FE2}$

RANK	B	C	D
RANGE	300-550	500-700	650-1000

UTC assumes no responsibility for equipment failures that result from using products at values that exceed, even momentarily, rated values (such as maximum ratings, operating condition ranges, or other parameters) listed in products specifications of any and all UTC products described or contained herein. UTC products are not designed for use in life support appliances, devices or systems where malfunction of these products can be reasonably expected to result in personal injury. Reproduction in whole or in part is prohibited without the prior written consent of the copyright owner. The information presented in this document does not form part of any quotation or contract, is believed to be accurate and reliable and may be changed without notice.